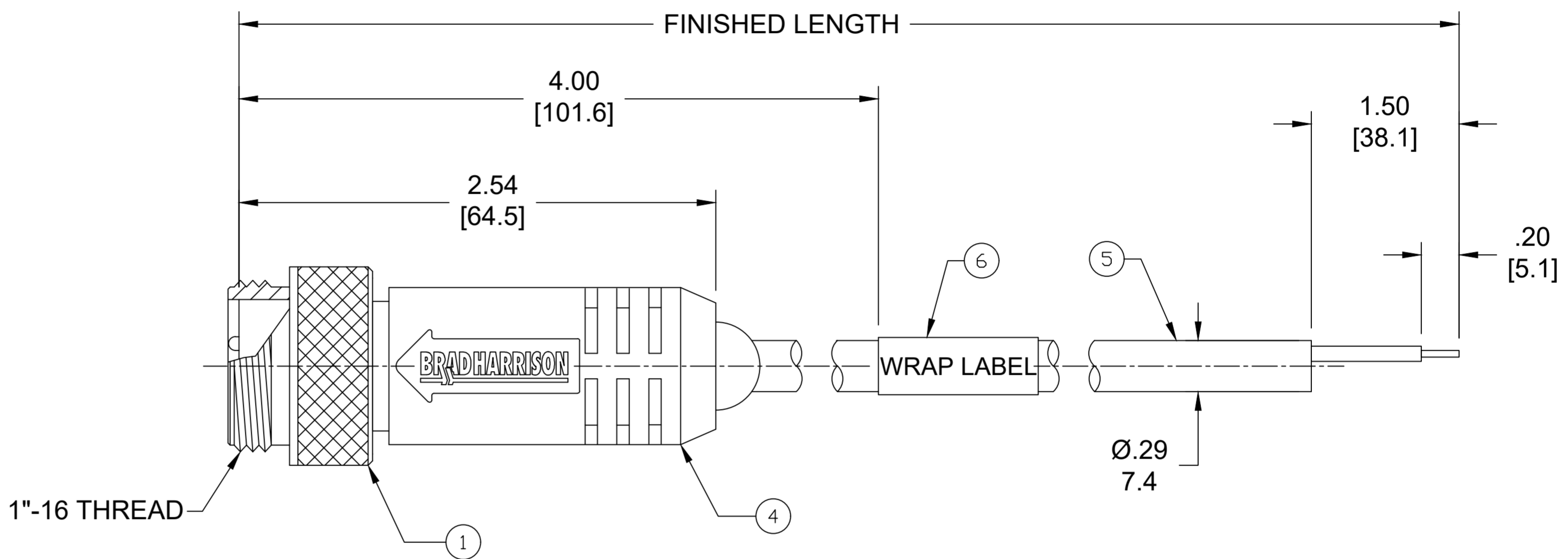
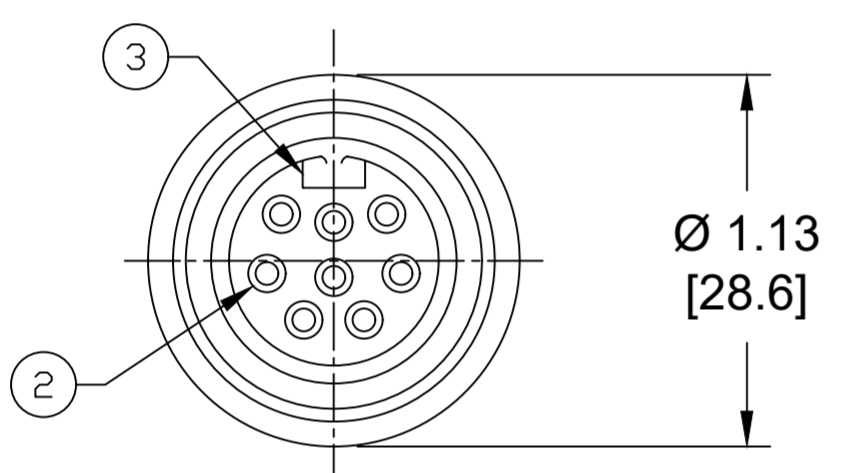


SAP P/N #	ENGINEERING P/N	FINISHED LENGTH
1300070450	208006A04M003	0.3M [12 IN]

CABLE LENGTH TOLERANCES

>.3M [1FT]:	+19mm-0 [+.75in-0]
.3 - .9M [1 - 3FT]:	+44.5mm-0 [+1.75in-0]
.9 - 1.8M [3 - 6FT]:	+55.6mm-0 [+2.19in-0]
1.8 - 3.7M [6 - 12FT]:	+88.9mm-0 [+3.50in-0]
3.7 - 7.3M [12 - 24FT]:	+165.1mm-0 [+6.50in-0]
7.3-14.6M [24 - 48FT]:	+317.5mm-0 [+12.50in-0]
14.6 - 30.5M [48-100FT]:	+622.3mm-0 [+24.50in-0]
OVER 30M [100FT]	+2% OF FINISHED LENGTH



- NOTES:**
- MATERIAL: AS NOTED
 - FINISH: AS NOTED
 - ELECTRICAL:
VOLTAGE: 320V PER IEC60664
300V PER UL2238
CURRENT: 2.5A
 - TEMP RATING: -20°C TO +90°C
 - PROTECTION: IP67 (IN FULLY MATED POSITION)
 - UL RECOGNIZED FILE: E152210
CSA CERTIFIED FILE: LR6837
 - ALL DIMENSIONS ARE FOR REFERENCE UNLESS TOLERANCED OR NOTED OTHERWISE

PART NO. MATRIX
208006A04M003

LENGTH:
M005= 0.5 METER
M010= 1 METER
M100= 10 METER

ITEM	DESCRIPTION	MATERIAL	FINISH
6	WRAP LABEL	VINYL	BLACK/YELLOW
5	CABLE #22-7 #18-1	PVC JACKET	YELLOW
4	OVERMOLD	TPE	YELLOW
3	INSERT	TPE	YELLOW
2	CONTACT PINS	COPPER ALLOY	GOLD PLATED
1	COUPLING NUT	ALUMINUM	BLACK

PRE-RELEASE
REFERENCE
USE ONLY

THIS DRAWING CONTAINS INFORMATION THAT IS PROPRIETARY TO MOLEX ELECTRONIC TECHNOLOGIES, LLC AND SHOULD NOT BE USED WITHOUT WRITTEN PERMISSION

FUNCTIONAL SYMBOLS	DIMENSION UNITS	SCALE	CURRENT REV DESC: ITEM# 3 & 4 WERE PVC. ADDED TOL CHART AND MODIFIED MATERIAL TABLE
FA=0	INCH/MM	NTS	
FC=0	GENERAL TOLERANCES (UNLESS SPECIFIED)		
FP=0			
DIVISIONAL SYMBOLS	mm	INCH	
	4 PLACES ±----	±----	EC NO: 643513
	3 PLACES ±----	±----	DRWN: ABENJAMINLW 2020/07/07
	2 PLACES ±----	±----	CHK'D: RSTONE 2020/08/28
	1 PLACE ±----	±----	APPR: ----
	0 PLACES ±----	±----	INITIAL REVISION:
	ANGULAR TOL ± ---- °		DRWN: RSTONE 2018/02/19
	DRAFT WHERE APPLICABLE MUST REMAIN WITHIN DIMENSIONS	THIRD ANGLE PROJECTION	APPR: BWOODMAN 2018/02/20

molex	
MINI-CHANGE CORDSET, B-SIZE, 8 POLE, MALE, STRAIGHT, SINGLE KEY, 22 AWG X 7, 18 AWG X 1	
PRODUCT CUSTOMER DRAWING	
DOCUMENT NUMBER	DOC TYPE/DOC PART/REVISION
SD-130007-008	PSD 001 D
MATERIAL NUMBER	CUSTOMER
SEE CHART	GENERAL MARKET
SHEET NUMBER	
1 OF 1	