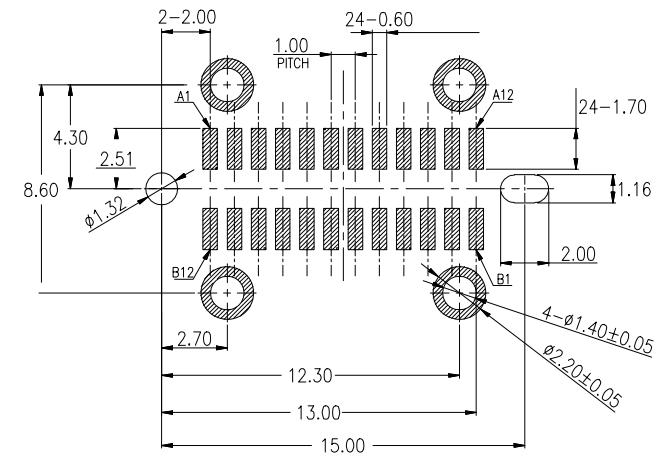
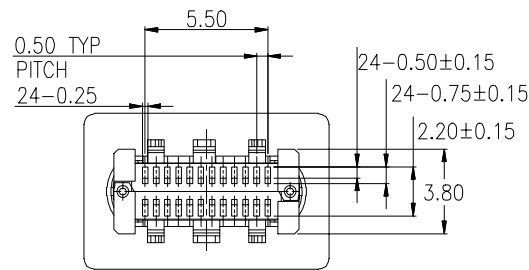
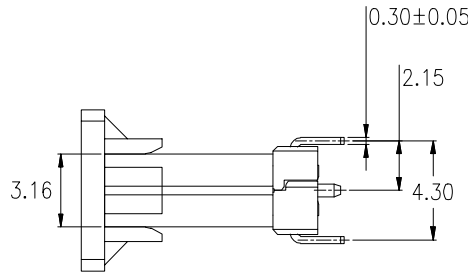
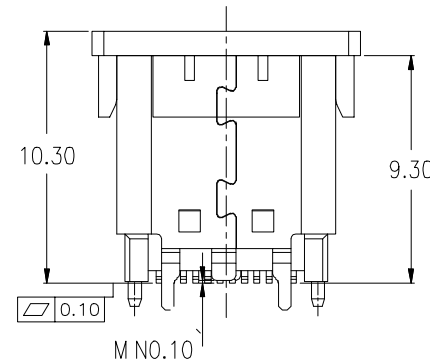
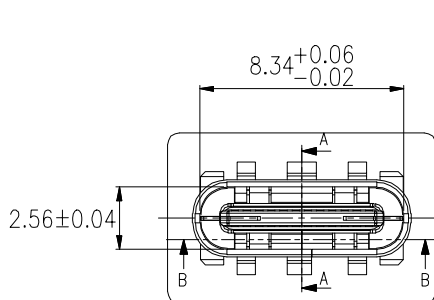
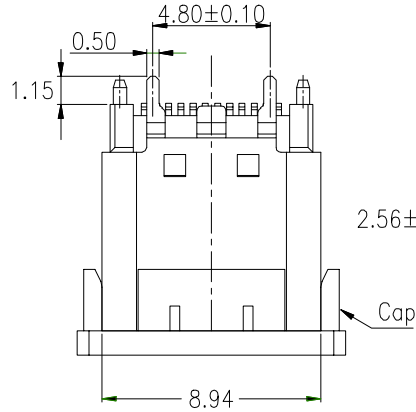


SCNUS - UC - 1 24 SG F - SO V ST

Suntsu Connector **USB** Connector **Number of Ports** USB-C **Contact Plating** Selective Gold **Termination Style** Solder **Mounting Style** Surface Mount and Through-Hole
Number of Contacts Female **Mounting Angle** Vertical



Pin Functions

A1	GND	A7	Dn1	B1	GND	B7	Dn2
A2	SSTXp1	A8	SBU1	B2	SSTXp2	B8	SBU2
A3	SSTXn1	A9	VBUS	B3	SSTXn2	B9	VBUS
A4	VBUS	A10	SSRXn2	B4	VBUS	B10	SSRXn1
A5	CC1	A11	SSRXp2	B5	CC2	B11	SSRXp1
A6	Dp1	A12	GND	B6	Dp2	B12	GND

Specification
 Current Rating: 3.00A For Vbus
 1.25A For Gnd Pin
 0.25A For Others
 Contact Resistance: 40mΩ Max.
 Insulation Resistance: 100MΩ Min.
 Dielectric Voltage: 100V AC for one minute
 Operation Temperature: -45°C to 85°C
 Durability: 10000 Cycles Min.
 Insertion Force: 5N ~ 20N
 Unmating Force: 8N ~ 20N



USB TYPE C 3.1 FEMALE VERTICAL SURFACE MOUNT CONNECTOR

Document History				Part No.	REV.	Drawn	Page
Edits Made	Date	Edited By	Approved By	SCNUS-UC-124SGF-SOVST	A	B. Gibbons	01/26/2021
Initial Release	01/26/2021	B. Gibbons	KH Mun	Drawing No.	SCALE	Checked	
					None		
				Tolerance	UNIT	Approved	
				.X ±0.30	mm		1 / 1
				.XX ±0.20			