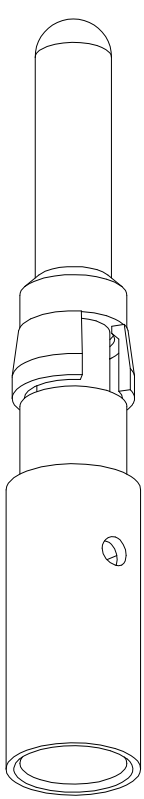
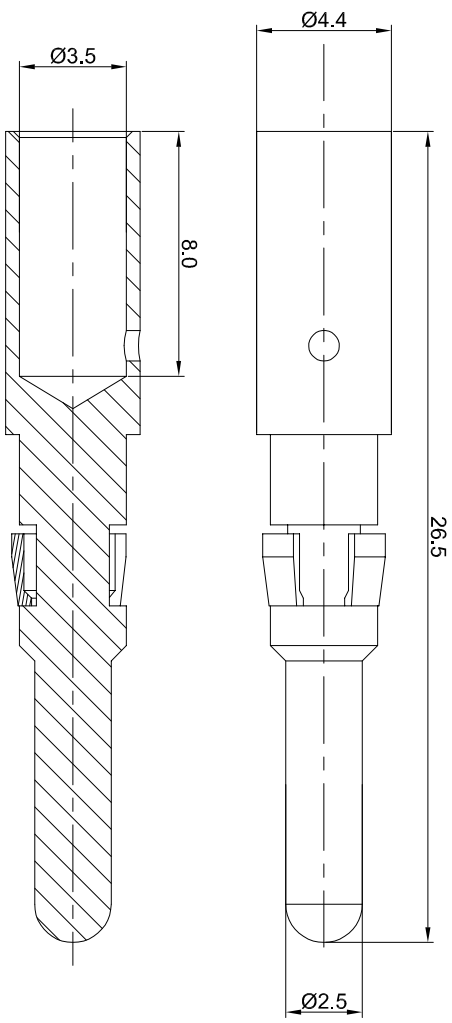


REVISIONS				
REV	ECO	DESCRIPTION	DATE	BY APPR
A1	-	FIRST RELEASE	May/27/2017	Tom Tommy
A2	-	Modify the current rating	Jul,10,2017	White Tommy



P/N	CONTACT PLATING(MATING AREA)
MP10B23T	TIN PLATING OVER NICKEL.
MP10B23S	SILVER PLATING OVER NICKEL.
MP10B23F	GOLD FLASH PLATING OVER NICKEL.
MP10B23G5	5µ" GOLD PLATING OVER NICKEL.
MP10B23G10	10µ" GOLD PLATING OVER NICKEL.
MP10B23G15	15µ" GOLD PLATING OVER NICKEL.
MP10B23G30	30µ" GOLD PLATING OVER NICKEL.

- NOTES : ( UNLESS OTHERWISE SPECIFIED )
- MATERIAL :
    - CONTACT BODY : COPPER ALLOY.
    - POSITIONING CLIP : COPPER ALLOY.
  - SPECIFICATIONS :
    - CURRENT RATING : 35A(MAX).
    - TERMINATION TYPE : CRIMPING.
  - WIRE RANGE : 10~12 AWG.
  - SUITABLE SOCKET : MS10B23xx.
  - ALL DIMENSIONS ARE FOR REFERENCE USE ONLY.

QUANTITY	PART NUMBER	DESCRIPTION	ITEM
<b>MATERIALS LIST</b>			
UNLESS OTHERWISE SPECIFIED			
1) All dimensions given in millimeters.			
2) Tolerances are as follows: A:10µ			
1 PL DEC 2010 Fractional 1/16"			
3 PL DEC 2010 Angles 1°			
3) Note reference =			
MATERIAL SPECIFICATIONS:		CUSTOMER:	
PROCESS SPECIFICATIONS:		THIS DRAWING IS SUPPLEMENTARY TO THE DRAWING SPECIFICATIONS AND PERFORMANCE DATA OF THE PART. THE MANUFACTURER ASSUMES NO RESPONSIBILITY FOR REPRODUCTION ERRORS. ALL DIMENSIONS ARE TO UNLESS OTHERWISE SPECIFIED.	
NEXT ASSY:		SCALE: NONE	
SIGNATURES		DATE	
DRAWN:		Jul,10,2017	
CHECKED:			
ENGINEER:			
APPROVAL:			
ECCO-MATE PIN CONTACT		MACHINE: MALE CONTACT 2.5mm	
Sine Systems - www.amphenol-sine.com		44724 Morley Drive	
		Clinton Township, MI 48036	
SIZE: B		DRAWING NO: MP10B23xx	
TYPE: C-		REVISION: A2	
SCALE: NONE		SHEET: 1 OF 1	