

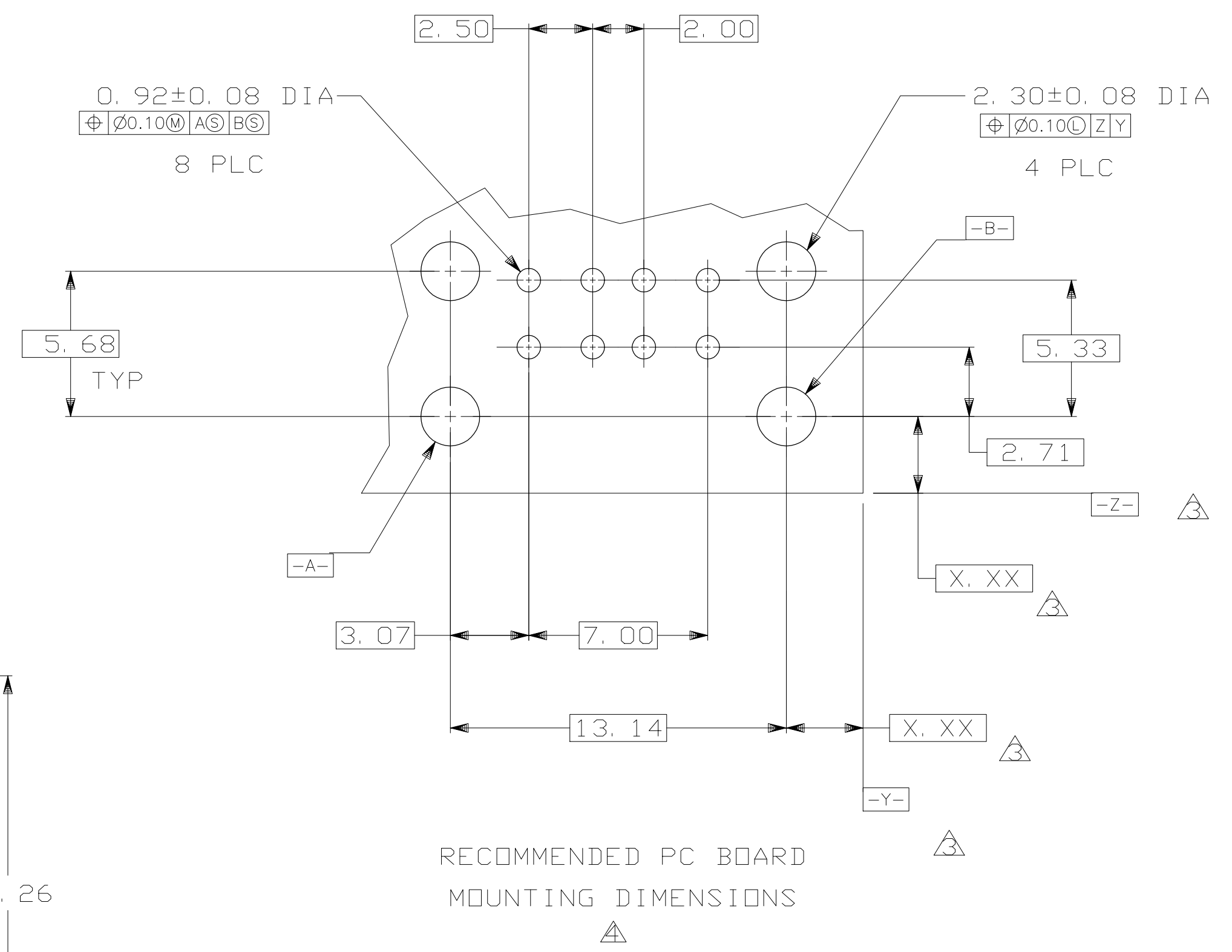
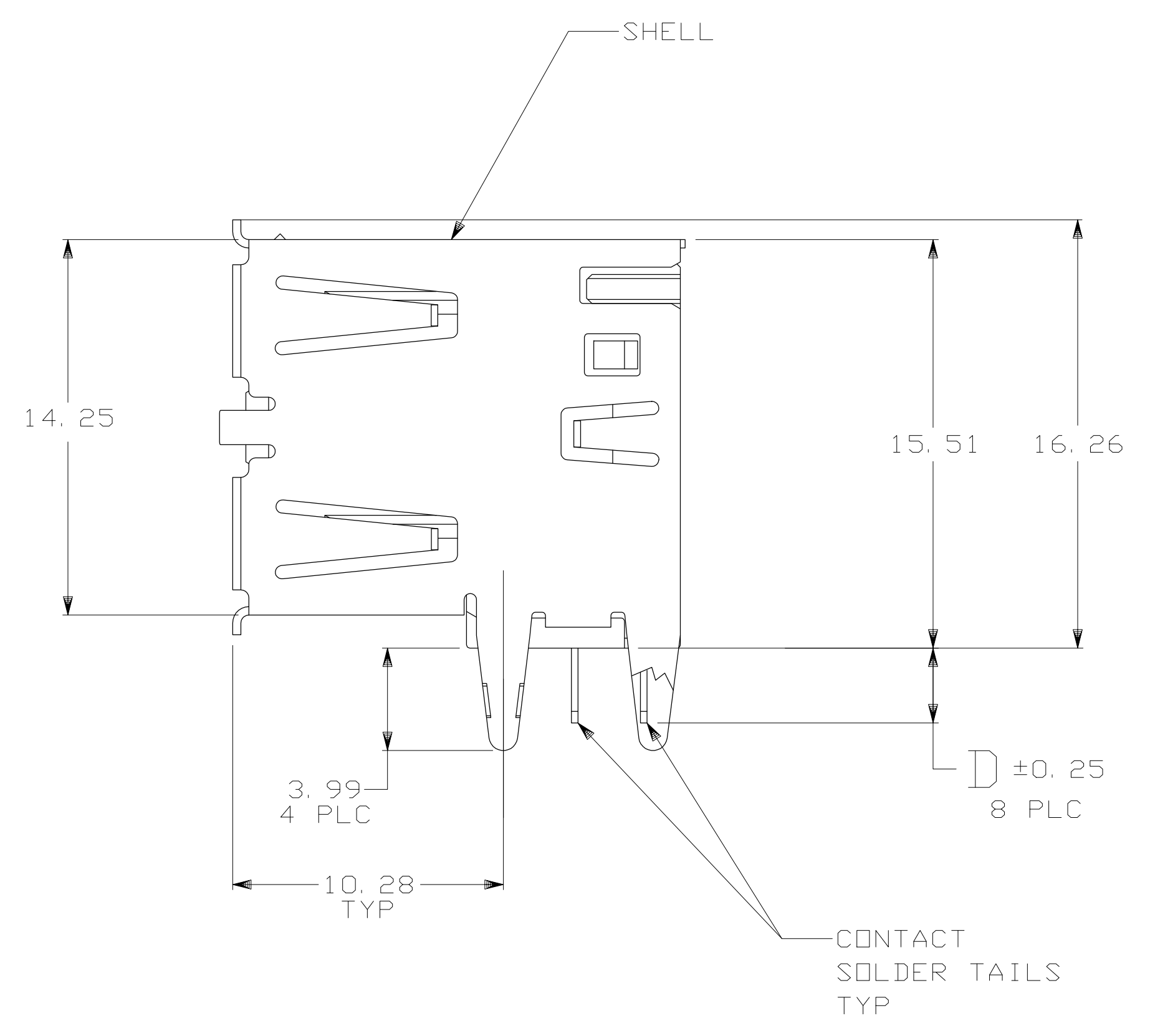
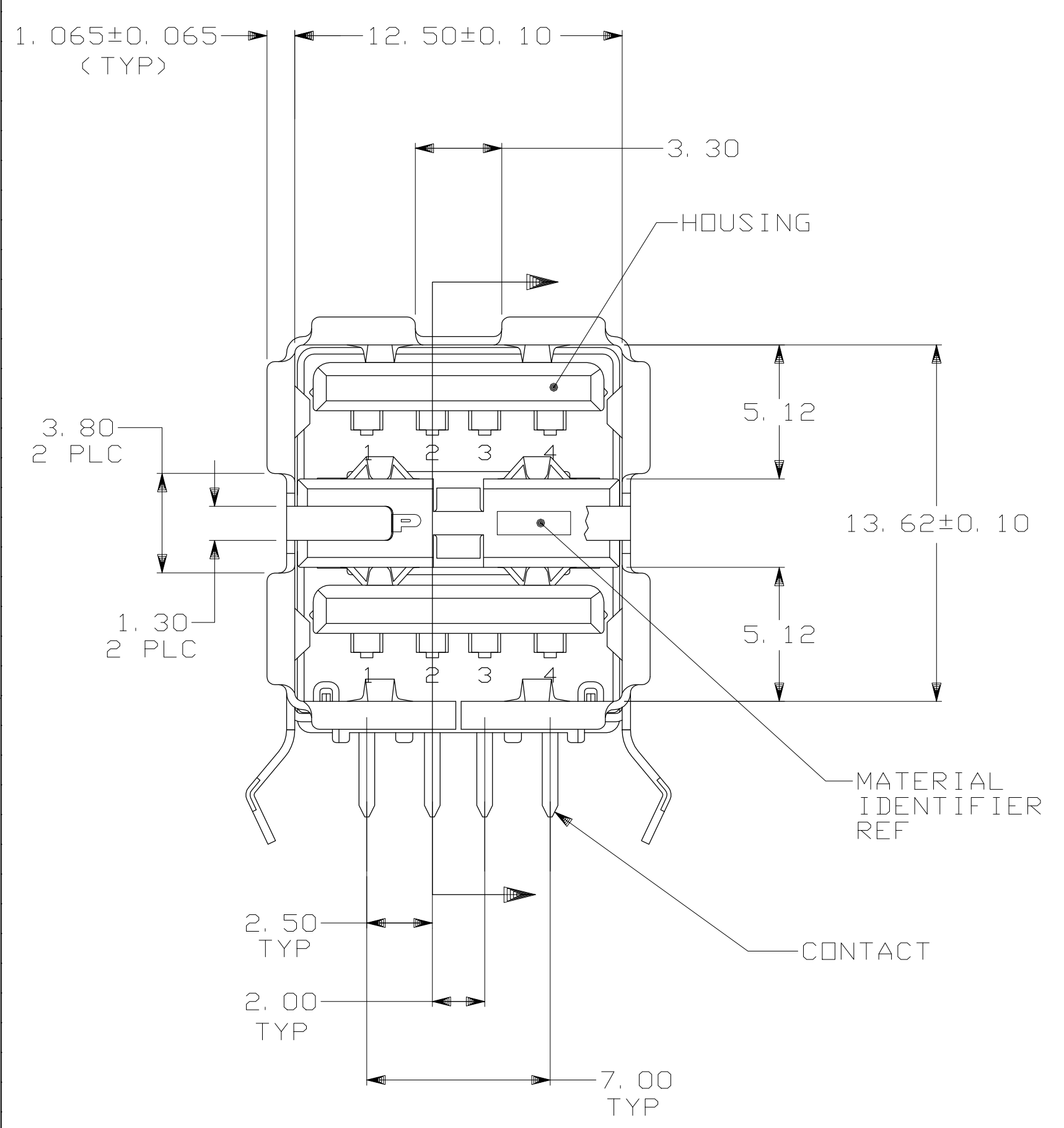
⚠ MATERIAL:
SHELL & CONTACTS- COPPER ALLOY.
HOUSING- UL 94V-0 RATED, THERMOPLASTIC, SEE TABLE.

⚠ PLATING:
CONTACTS- 0.076 MICROMETERS MINIMUM GOLD OVER 0.76 MICROMETERS MINIMUM PALLADIUM-NICKEL ON MATING AREA. OR CONTACT ALTRENATE PLATING 0.76 MICROMETERS MINIMUM GOLD ON MATING AREA.
3.80 MICROMETERS MINIMUM TIN ON SOLDER TAILS.
BOTH OVER 1.27 MICROMETERS MINIMUM NICKEL.
SHELL: 2~5μm THICK TIN

⚠ DATUM AND BASIC DIMENSIONS ESTABLISHED BY CUSTOMER.

⚠ RECOMMENDED PC BOARD THICKNESS OF 1.57.

LEAD FREE



| | | | |
|-----------------------------|-----------|---------------|-------------|
| YES | 2.29±0.25 | BLACK | 5787745-5 |
| YES | 2.84±0.25 | BLACK | 5787745-4 |
| NO | 2.84±0.25 | NATURAL | 5787745-3 |
| NO | 2.29±0.25 | BLACK | 5787745-2 |
| NO | 2.84±0.25 | BLACK | 5787745-1 |
| HIGH TEMPERATURE COMPATIBLE | D | HOUSING COLOR | PART NUMBER |

THIS DRAWING IS A CONTROLLED DOCUMENT.

| | | | | |
|-------------|--|------------------|-----------|---|
| DIMENSIONS: | TOLERANCES UNLESS OTHERWISE SPECIFIED: | DIN | 26OCT2004 | TE Connectivity |
| mm | 0 PLC ± - | LEO ZHOU | 26OCT2004 | |
| | 1 PLC ± 0.35 | CIK | 26OCT2004 | |
| | 2 PLC ± 0.25 | STEVEN YAO | 26OCT2004 | |
| | 3 PLC ± 0.15 | APVD | 26OCT2004 | NAME |
| | 4 PLC ± - | PRODUCT SPEC | | RECEPTACLE ASSEMBLY, RIGHT ANGLE, STACKED, THRU-HOLE, USB |
| | ANGLES ± ± ° | APPLICATION SPEC | | SIZE |
| MATERIAL | FINISH | WEIGHT | | A1 00779 |
| | | CUSTOMER DRAWING | SCALE 1:1 | SHEET 1 OF 1 |