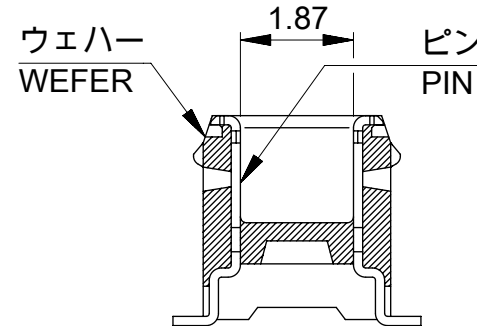
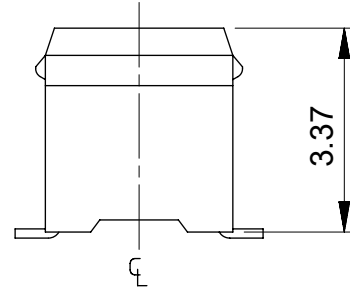
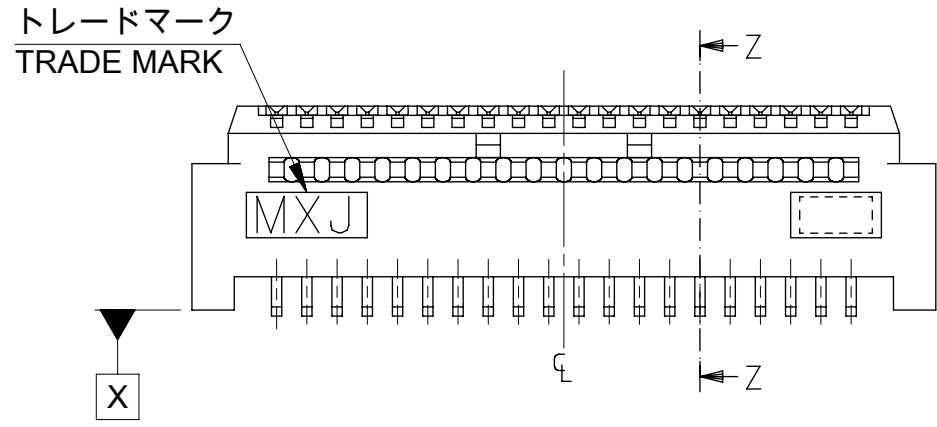
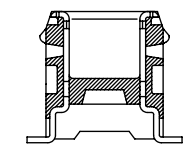
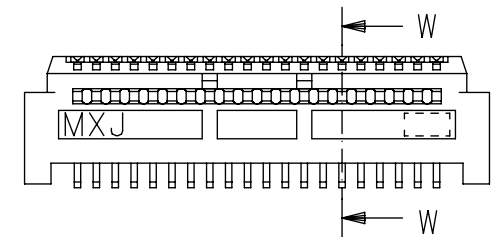


参考基板レイアウト (マウント面)
P.C.BOARD PATTERN
DIMENSION. (REF.)
(MOUNTING AREA)



SECT.Z-Z



SECT.W-W

60極品以上形状図
SHAPE OF OVER 60CKT.

- 注記 NOTES:
1. 使用材料 MATERIAL
ハウジング : LCPガラス入り (黒), UL94V-0
HOUSING : LCP(G.F.)(COLOR :BLACK), UL94V-0
ピン : 黄銅 (t=0.15)
PIN: BRASS(t=0.15)
 2. メッキ仕様 PLATING
全体仕上げ : 金メッキ 0.1 MICROMETER MIN.
ALL OVER : GOLD 0.1 MICROMETER MIN.
下地メッキ : ニッケルメッキ 1.5 MICROMETER MIN.
UNDER PLATNG : NICKEL 1.5 MICROMETER MIN.
 3. 基準面 X からのソルダーテールの半田付け面のズレ量は、上方向 0 下方向 0.15MAX.とする。
MISALIGNMENT OF SOLDER TAIL FROM X
: UPPER DIRECTION 0, LOWER DIRECTION 0.15 MAX.
4 (全極数/2) = 偶数の場合に適用。
APPLY FOR (CIRCUIT/2)=EVEN.
 5. 嵌合相手 : 52991シリーズ (嵌合高さ = 4mm)、54167シリーズ (嵌合高さ = 4mm)
MATE WITH: 52991 SERIES (HEIGHT = 4mm), AND 54167 SERIES (HEIGHT = 4mm)
 6. テール平坦度は、0.1MAX.
TAIL COPLANARITY TO BE 0.1MAX.

20.24	19.5	22.3	53916-0808	80
10.24	9.5	12.3	53916-0408	40
7.74	7.0	9.8	53916-0308	30
5.24	4.5	7.3	53916-0208	20
C	B	A	EMBOSSED TAPE	極数 CIRCUIT
			ORDER No.	
CONNECTOR SERIES No.			53916-***1	

THIS DRAWING CONTAINS INFORMATION THAT IS PROPRIETARY TO MOLEX ELECTRONIC TECHNOLOGIES, LLC AND SHOULD NOT BE USED WITHOUT WRITTEN PERMISSION

DIMENSION UNITS: mm SCALE: ---

GENERAL TOLERANCES (UNLESS SPECIFIED):

10 ^{UNDER}	±0.2
10 ^{OVER} 30 ^{UNDER}	±0.25
30 ^{OVER}	±0.3

ANGULAR TOL ± 30°

4 PLACES ± 0.2

3 PLACES ± 0.25

2 PLACES ± 0.3

1 PLACE ±

0 PLACES ±

ANGULAR ± 3°

DRAFT WHERE APPLICABLE MUST REMAIN WITHIN DIMENSIONS

THIRD ANGLE PROJECTION

DRAWING: A3-SIZE

SERIES: 53916

MATERIAL NUMBER: SEE TABLE

CUSTOMER: GENERAL

SHEET NUMBER: 1 OF 2

EC NO: 642297
DRWN: SSKIM05
CHK'D: HSHIMOYAMA
APPR: SHOSHIKAWA

2019/05/30
2020/11/30
2020/11/30

INITIAL REVISION:
DRWN: S. A I HARA
APPR: M. SASAO

1996/11/28
2001/12/26

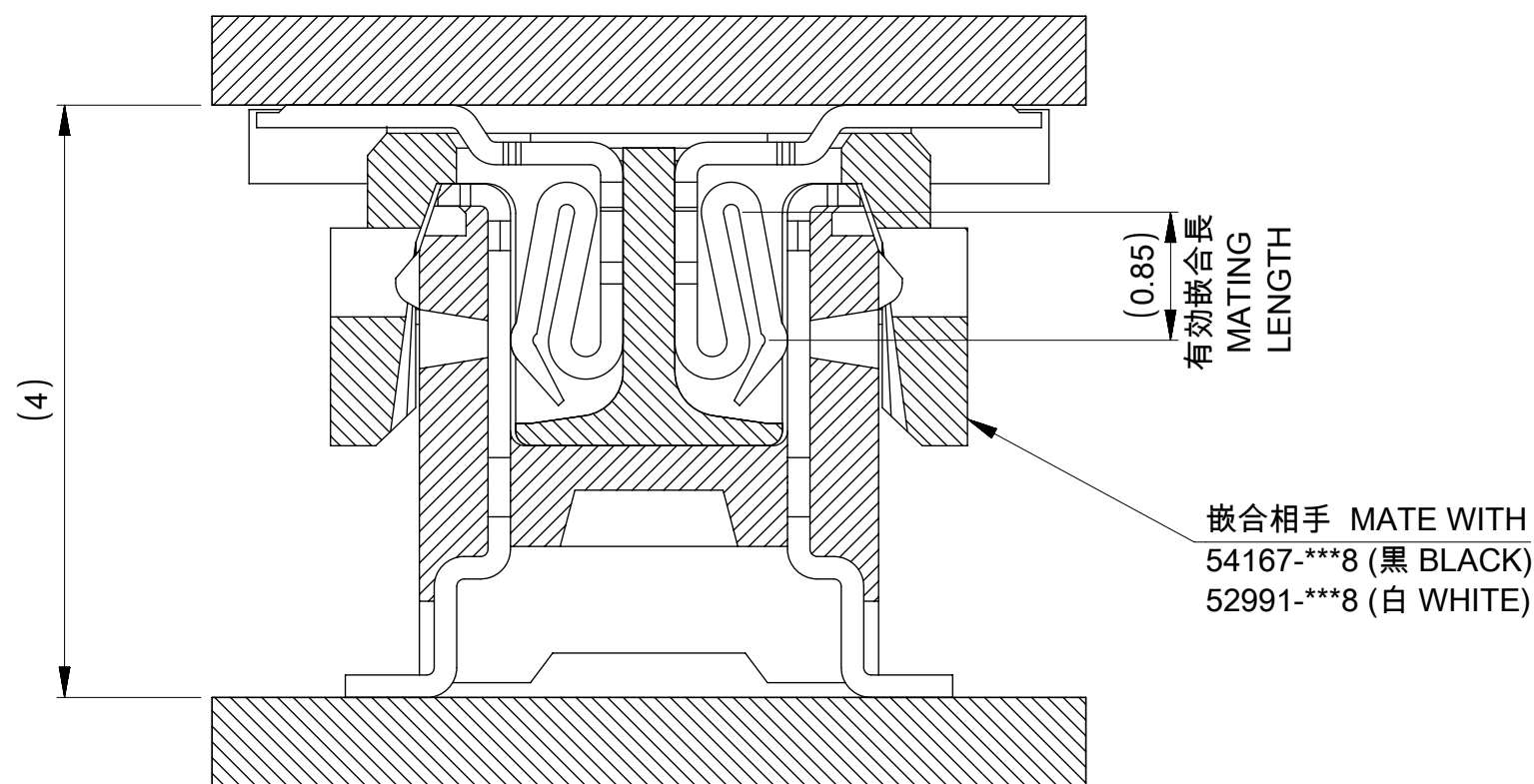
DOCUMENT NUMBER: SD-53916-001

DOC TYPE: PSD

DOC PART: 001

REVISION: D

PRODUCT CUSTOMER DRAWING



(0.85)
有効嵌合長
MATING
LENGTH

嵌合相手 MATE WITH
54167-***8 (黒 BLACK)
52991-***8 (白 WHITE)

嵌合断面図 (参考)
MATED DRAWING (REF.)

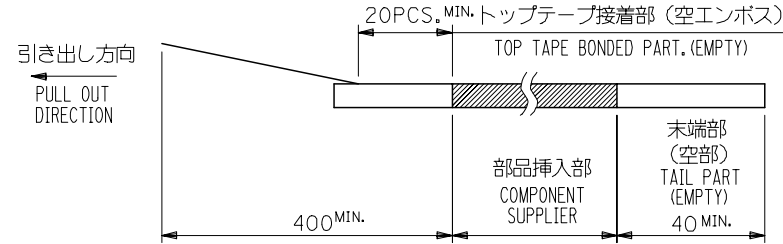
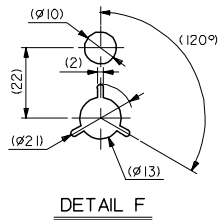
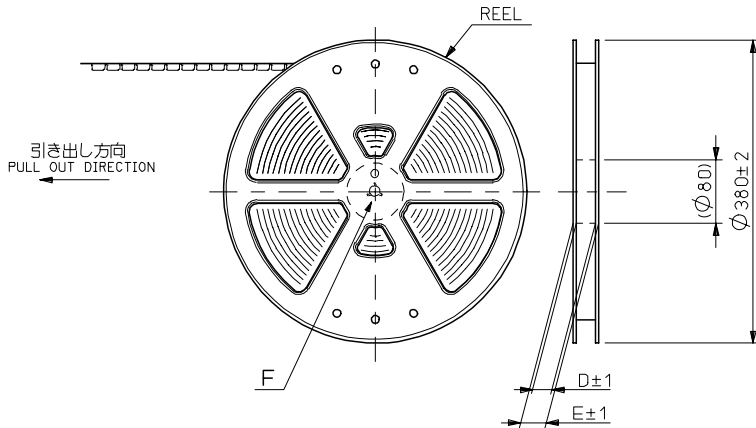
THIS DRAWING CONTAINS INFORMATION THAT IS PROPRIETARY TO MOLEX ELECTRONIC TECHNOLOGIES, LLC AND SHOULD NOT BE USED WITHOUT WRITTEN PERMISSION

DIMENSION UNITS	SCALE	CURRENT REV DESC: REVISED		molex		
mm	---					
GENERAL TOLERANCES (UNLESS SPECIFIED)		GENERAL TOLERANCES (UNLESS SPECIFIED)		0.5 MM PITCH B-TO-B CONN. HEIGHT = 4 PLUG		
ANGULAR TOL ± 30°		ANGULAR TOL ± 30°		PRODUCT CUSTOMER DRAWING		
4 PLACES ± 0.2		4 PLACES ± 0.2		EC NO: 642297		
3 PLACES ± 0.25		3 PLACES ± 0.25		DRWN: SSKIM05 2019/05/30		
2 PLACES ± 0.3		2 PLACES ± 0.3		CHK'D: HSHIMUYAMA 2020/11/30		
1 PLACE ±		1 PLACE ±		APPR: SHOSHIKAWA 2020/11/30		
0 PLACES ±		0 PLACES ±		INITIAL REVISION:		
DRAFT WHERE APPLICABLE MUST REMAIN WITHIN DIMENSIONS		DRAFT WHERE APPLICABLE MUST REMAIN WITHIN DIMENSIONS		DRWN: S. A I HARA 1996/11/28		
		THIRD ANGLE PROJECTION		APPR: M. SASAO 2001/12/26		
		DRAWING		SERIES		
		A3-SIZE		53916		
		MATERIAL NUMBER		CUSTOMER		
		SEE SHEET 1		GENERAL		
		DOCUMENT NUMBER		SHEET NUMBER		
		SD-53916-001		2 OF 2		
		DOC TYPE		REVISON		
		PSD		001 D		

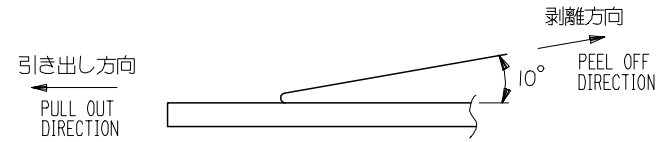
DOCUMENT STATUS	P1	RELEASE DATE	2020/11/30	03:37:36
-----------------	----	--------------	------------	----------

NOTES

- 製品詳細寸法については図面 SD-53916-001 を参照下さい。
RE DETAILED DIMENSION, SEE SD-53916-001
- 梱包数量：1500個/リール
NUMBER OF CONNECTORS：1500PCS/REEL
- リードテープ長さ LEAD TAPE LENGTH



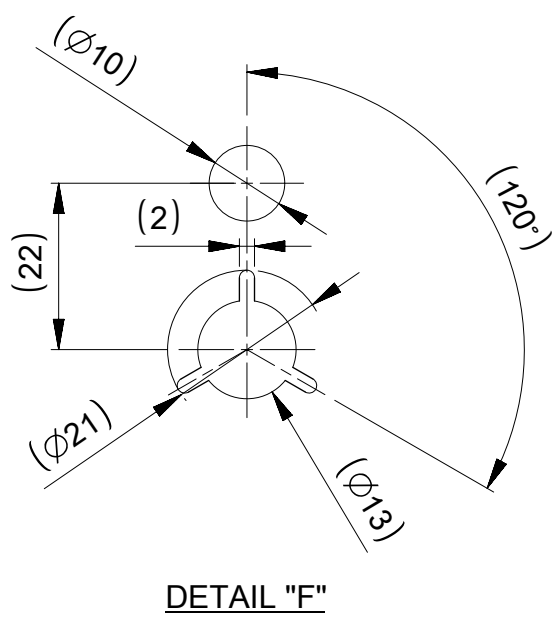
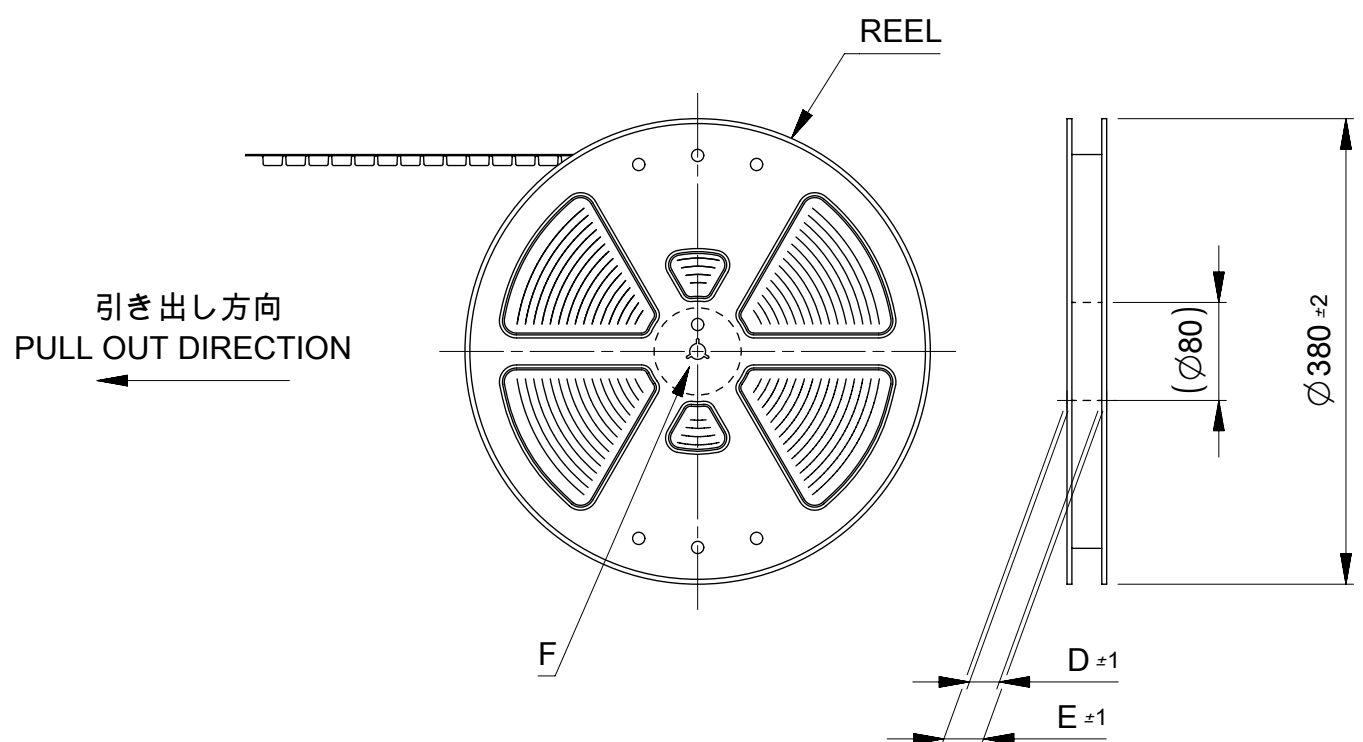
- トップテープの剥離強度：0.1N~1.3N (10gf~130gf) (剥離方向は下図参照) 尚、本規格値は出荷時に適用。(但し、輸送時に剥離が発生しないこと。)
PEELING OFF FORCE OF TOP TAPE：0.1N~1.3N (10gf~130gf) (PEELING DIRECTION AS SHOWN IN FOLLOWING FIG.) THIS REQUIREMENT SHOULD BE APPLIED AT SHIPMENT. PEEL OFF SHOULD NOT BE ALLOWED, DURING TRANSPORTATION.



- 材料 (MATERIAL)
キャリアテープ (CARRIER TAPE)：ポリプロピレン (POLYPROPYLENE)
トップテープ (TOPTAPE)：PET, PE, PEF
リール (REEL)：ポリスチレン (PS) <リサイクル材を含む>
POLYSTYRENE (PS) <RECYCLE MATERIAL CONTAINED>

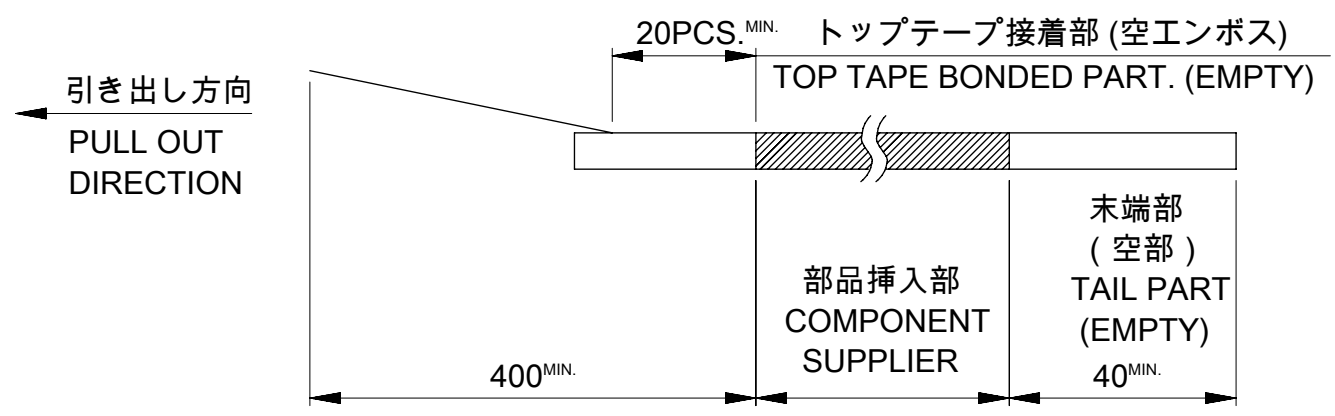
53916-***8 MODEL NO.

REVISED EC NO: J2006-0604 DRW:NAIDA 2005/08/31 CHK:KTOYODA 2005/09/01 APP:NUKITA 2005/09/09	GENERAL TOLERANCES (UNLESS SPECIFIED)		DIMENSION STYLE MM ONLY	SCALE ---	DESIGN UNITS METRIC	THIRD ANGLE PROJECTION
	10 UNDER	± 0.2	DRAWN BY S. AIHARA	DATE '96/11/27	TITLE 0.5 B/B CONN PLUG ASSY EMBSTP PKG -LEAD FREE-	
	10 OVER 30 UNDER	± 0.25	CHECKED BY T. ITO	DATE '01/01/26	MOLEX INCORPORATED	
	30 OVER	± 0.3	APPROVED BY M. FUKUSHIMA	DATE '01/01/26	DOCUMENT NO. SD-53916-002	SHEET NO. 1 OF 4
G	ANGULAR	± 3 °	MATERIAL NO. SEE CHART	THIS DRAWING CONTAINS INFORMATION THAT IS PROPRIETARY TO MOLEX INCORPORATED AND SHOULD NOT BE USED WITHOUT WRITTEN PERMISSION		
	DRAFT WHERE APPLICABLE MUST REMAIN WITHIN DIMENSIONS		SIZE A3			



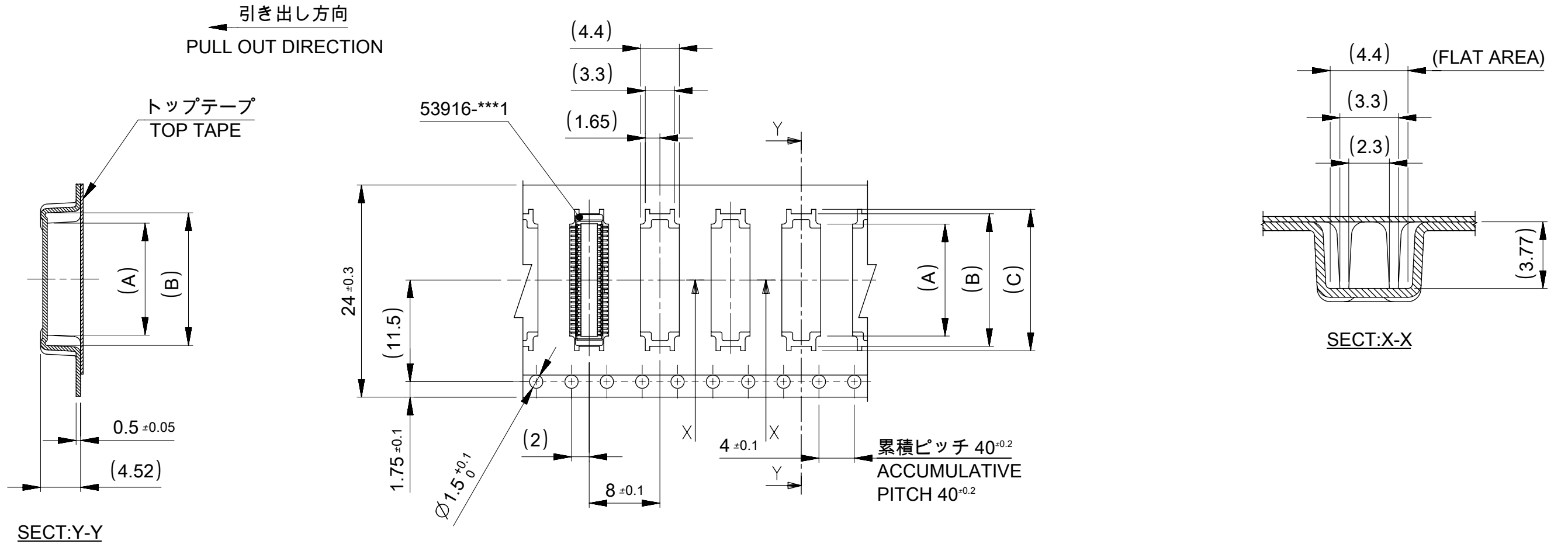
NOTES

- 製品詳細寸法については図面 SD-53916-001を参照下さい。
DETAIL DIMENSION, SEE SD-53916-001
- 梱包数量 : 1500個 / リール
NUMBER OF CONNECTORS : 1500PCS/REEL
- リードテープ長さ LEAD TAPE LENGTH



- カバーテープの剥離強度については、IEC60286-3に準拠
COVER TAPE PEEL FORCE IS DEFINED BY IEC60286-3.
- 材料 (MATERIAL)
キャリアテープ (CARRIER TAPE) : ポリプロピレン (POLYPROPYLENE)
トップテープ (TOPTAPE) : PET , PE , PEF
リール (REEL) : ポリスチレン (PS) <リサイクル材を含む>
POLYSTYREN(PS) <RECYCLE MATERIAL CONTANED>

THIS DRAWING CONTAINS INFORMATION THAT IS PROPRIETARY TO MOLEX ELECTRONIC TECHNOLOGIES, LLC AND SHOULD NOT BE USED WITHOUT WRITTEN PERMISSION		CURRENT REV DESC: REVISED		molex	
DIMENSION UNITS: mm		SCALE: ---			
GENERAL TOLERANCES (UNLESS SPECIFIED)		ANGULAR TOL ± 30°		EC NO: 649457	
4 PLACES ± 0.2		3 PLACES ± 0.25		DRWN: SUDAYGUNAGI 2020/08/06	
10 ^{UNDER} ± 0.2		2 PLACES ± 0.3		CHK'D: HSHIMUYAMA 2020/12/02	
10 ^{OVER} 30 ^{UNDER} ± 0.25		1 PLACE ±		APPR: SHOSHIKAWA 2020/12/02	
30 ^{OVER} ± 0.3		0 PLACES ±		INITIAL REVISION:	
ANGULAR ± 3°		DRAFT WHERE APPLICABLE MUST REMAIN WITHIN DIMENSIONS		DRWN: S. A I HARA 1996/11/27	
DRAFT WHERE APPLICABLE MUST REMAIN WITHIN DIMENSIONS		THIRD ANGLE PROJECTION		APPR: M. FUKUSHIMA 2001/01/26	
GENERAL TOLERANCES (UNLESS SPECIFIED)		DRAWING: A3-SIZE		SERIES: 53916	
DOCUMENT NUMBER: SD-53916-002		MATERIAL NUMBER: SEE SHEET 2-4		CUSTOMER: GENERAL	
DOC TYPE: PSD		DOC PART: 001		REVISION: H	
DOCUMENT NUMBER: SD-53916-002		MATERIAL NUMBER: SEE SHEET 2-4		CUSTOMER: GENERAL	
DOC TYPE: PSD		DOC PART: 001		REVISION: H	
SHEET NUMBER: 1 OF 3		DRAWING: A3-SIZE		SERIES: 53916	



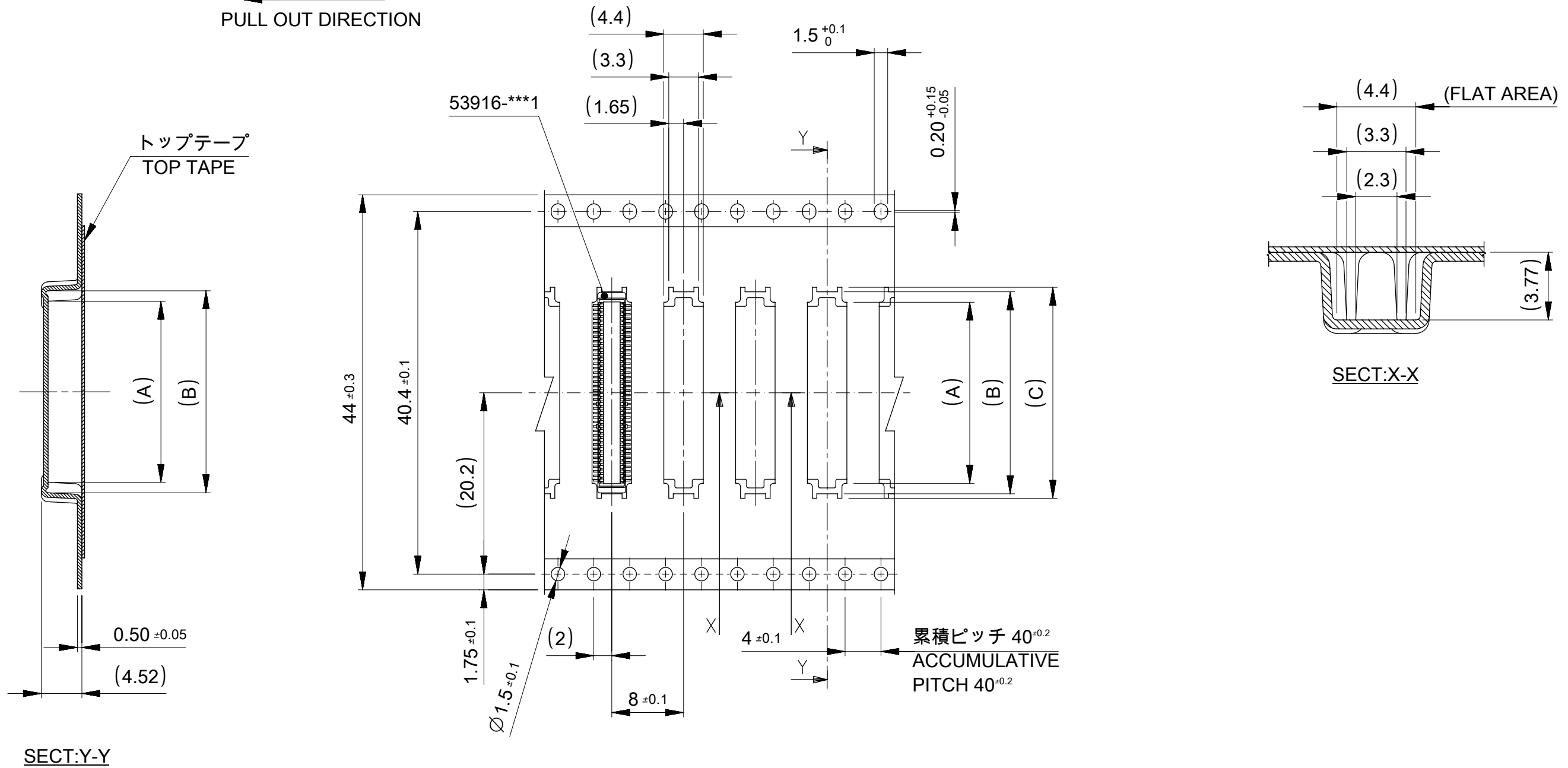
24mm 幅キャリアテープ
24mm WIDTH CARRIER TAPE

24	29.4	25.4	13.5	12.5	10.17	53916-0408	40
			11	10	7.67	53916-0308	30
			8.5	7.5	5.17	53916-0208	20
キャリアテープ幅 CARRIER TAPE WIDTH	E	D	(C)	(B)	(A)	MATERIAL NO.	極数 CIRCUIT

THIS DRAWING CONTAINS INFORMATION THAT IS PROPRIETARY TO MOLEX ELECTRONIC TECHNOLOGIES, LLC AND SHOULD NOT BE USED WITHOUT WRITTEN PERMISSION

DIMENSION UNITS mm	SCALE ---	CURRENT REV DESC: REVISED	molex		
GENERAL TOLERANCES (UNLESS SPECIFIED)		EC NO: 649457			
ANGULAR TOL ± 30°	4 PLACES ± 0.2	DRWN: SUDAYGUNAGI	2020/08/06		
10 ^{UNDER} ± 0.2	3 PLACES ± 0.25	CHK'D: HSHIMYOYAMA	2020/12/02		
10 ^{OVER} ± 0.25	2 PLACES ± 0.3	APPR: SHOSHIKAWA	2020/12/02		
30 ^{OVER} ± 0.3	1 PLACE ±	INITIAL REVISION:	DOCUMENT NUMBER		
ANGULAR ± 3°	0 PLACES ±	DRWN: S. A I HARA	SD-53916-002		
DRAFT WHERE APPLICABLE MUST REMAIN WITHIN DIMENSIONS	DRAFT WHERE APPLICABLE MUST REMAIN WITHIN DIMENSIONS	APPR: M. FUKUSHIMA	DOC TYPE	DOC PART	REVISION
		THIRD ANGLE PROJECTION	PSD	001	H
		DRAWING	SERIES	MATERIAL NUMBER	CUSTOMER
		A3-SIZE	53916	SEE TABLE	GENERAL
					SHEET NUMBER
					2 OF 3

引き出し方向
PULL OUT DIRECTION



44mm 幅キャリアテープ
44mm WIDTH CARRIER TAPE

44	49.4	45.4	23.5	22.5	20.17	53916-0808	80
キャリアテープ幅 CARRIER TAPE WIDTH	E	D	(C)	(B)	(A)	MATERIAL NO.	極数 CIRCUIT

THIS DRAWING CONTAINS INFORMATION THAT IS PROPRIETARY TO MOLEX ELECTRONIC TECHNOLOGIES, LLC AND SHOULD NOT BE USED WITHOUT WRITTEN PERMISSION

DIMENSION UNITS mm	SCALE ---	CURRENT REV DESC: REVISED	molex		
GENERAL TOLERANCES (UNLESS SPECIFIED)		EC NO: 649457 DRWN: SUDAYGUNAGI CHK'D: HSHIMOYAMA APPR: SHOSHIKAWA			
GENERAL TOLERANCES (UNLESS SPECIFIED)	ANGULAR TOL ± 30°	INITIAL REVISION:	PRODUCT CUSTOMER DRAWING		
10 ^{UNDER} ±0.2	4 PLACES ± 0.2	DRWN: S. A I HARA APPR: M. FUKUSHIMA	1996/11/27 2001/01/26	DOCUMENT NUMBER SD-53916-002	DOC TYPE PSD
10 ^{OVER} 30 ^{UNDER} ±0.25	3 PLACES ± 0.25			DOC PART 001	REVISION H
30 ^{OVER} ±0.3	2 PLACES ± 0.3				
ANGULAR ±3°	1 PLACE ±				
0 PLACES ±					
DRAFT WHERE APPLICABLE MUST REMAIN WITHIN DIMENSIONS	DRAFT WHERE APPLICABLE MUST REMAIN WITHIN DIMENSIONS	THIRD ANGLE PROJECTION	DRAWING A3-SIZE	SERIES 53916	MATERIAL NUMBER SEE TABLE
				CUSTOMER GENERAL	SHEET NUMBER 3 OF 3