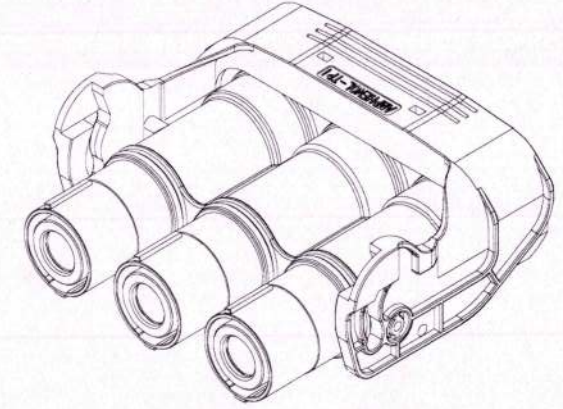
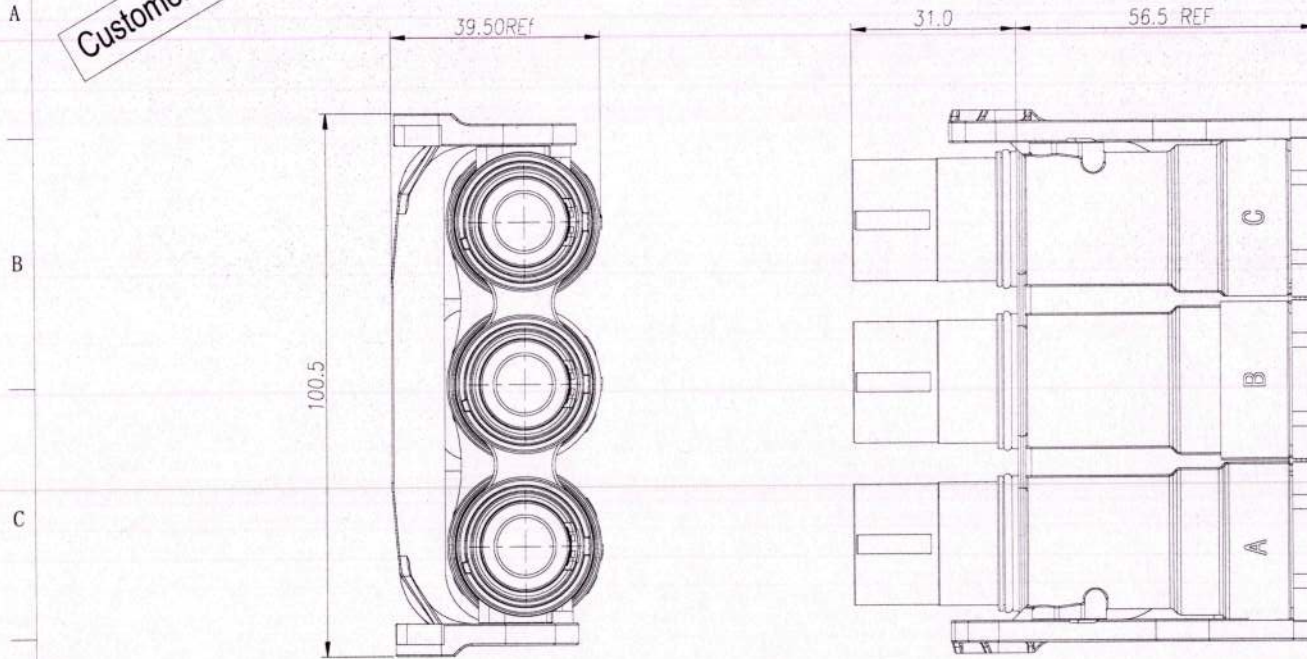


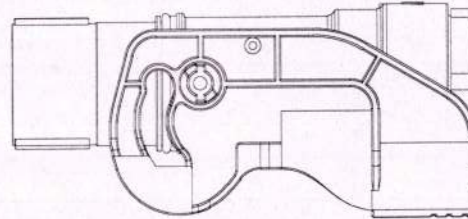
THIS DRAWING IS SUPPLIED FOR INFORMATION ONLY. DESIGN FEATURES, SPECIFICATIONS AND PERFORMANCE DATA SHOWN HEREON ARE THE PROPERTY OF THE AMPHENOL CORPORATION. NO RIGHTS OF REPRODUCTION ARE IMPLIED. ALL DIMENSIONS ARE SUBJECT TO NORMAL MANUFACTURING VARIATIONS.

Customer Drawing

REVISIONS						
REV	ZONE	ECO	DESCRIPTION	DATE	BY	APPR
A	--	--	INITIAL RELEASE	11/03/16	SW	RW
B	--	--	Add HVIL Version	05/20/21	Fred	JL



Amphenol TPI
2021-05-20
REGISTERED COPY



Standard Part List (Without HVIL)

P/N	Polarization
EX-HA001399	X
EX-HA001400	Y

B Standard Part List (With HVIL)

P/N	Polarization
EX-HA006067	X
EX-HA006068	Y

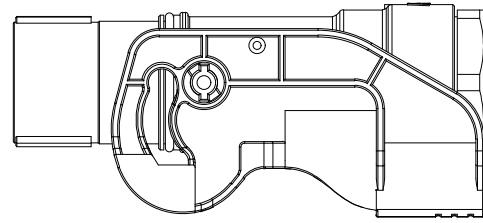
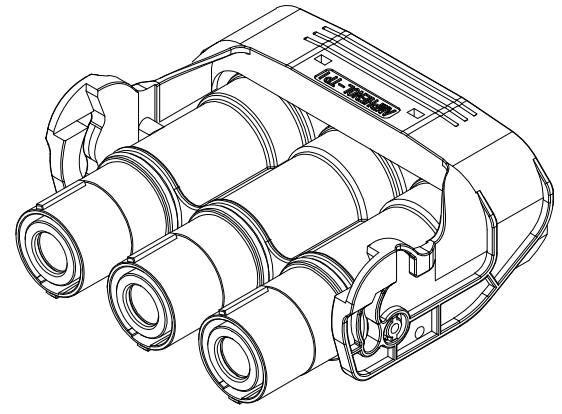
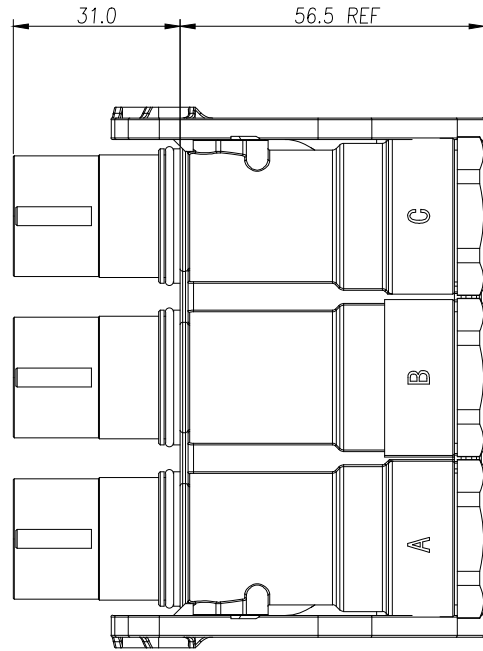
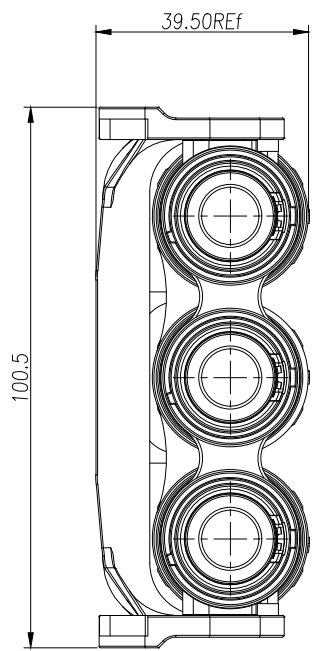
- 规格参数 (Spec.):
1. 工作温度 Operating temperature: -40° C~+125° C.
 2. 防护等级 Protection class: IP67.
 3. 机械寿命 Mating cycle: 100 Min.
 4. 带高压互锁 Electrical interlock (HVIL).

	Amphenol Technical Products International Asia.				PART NAME: PwrLok 10mm 3POS Blind Plug		
	第三角投影 THIRD ANGLE PROJECTION	页面 SHEET	幅面 SIZE	版次 REV	比例 SCALE	DWG NO: EX-HA001399~1400,6067~8	
1 of 1		A3		B		CUST PART # N/A	
签名 SIGNATURE Fred		日期 DATE 05/20/21		UNLESS OTHERWISE SPECIFIED 1) All dimensions are in metric (mm). 2) Tolerances are as follows: 0 PL DEC ±1.00 1 PL DEC ±0.50 2 PL DEC ±0.20 Angles ±1°		DWC NO: -	
制图 DRAWN Fred		日期 DATE 05/20/21				CUST PART # N/A	
审核 CHECKED Fred		日期 DATE 2021.05.20				CUST REV. -	
批准 APPROVAL Fred		日期 DATE 2021.5.20					

THIS DRAWING IS SUPPLIED FOR INFORMATION ONLY. DESIGN FEATURES, SPECIFICATIONS AND PERFORMANCE DATA SHOWN HEREON ARE THE PROPERTY OF THE AMPHENOL CORPORATION. NO RIGHTS OF REPRODUCTION ARE IMPLIED. ALL DIMENSIONS ARE SUBJECT TO NORMAL MANUFACTURING VARIATIONS.

Customer Drawing

6		7			8	
REVISIONS						
REV	ZONE	ECO	DESCRIPTION	DATE	BY	APPR
A	--	--	INITIAL RELEASE	11/03/16	SW	RW
B	--	--	Add HVIL Version	05/20/21	Fred	JL



Standard Part List (Without HVIL)

P/N	Polarization
EX-HA001399	X
EX-HA001400	Y

$\triangle B$ Standard Part List (With HVIL)

P/N	Polarization
EX-HA006067	X
EX-HA006068	Y

规格参数 (Spec.):

1. 工作温度 Operating temperature: $-40^{\circ}C \sim +125^{\circ}C$.
2. 防护等级 Protection class: IP67.
3. 机械寿命 Mating cycle: 100 Min.
4. 带高压互锁 Electrical interlock (HVIL).

AMPHENOL 	Amphenol Technical Products International Asia.				
	第三角投影 THIRD ANGLE PROJECTION	页面 SHEET	幅面 SIZE	版次 REV.	比例 SCALE
签名 SIGNATURE Fred	日期 DATE 05/20/21	1 OF 1 A3 B			DWG NO: EX-HA001399~1400,6067~8
制图 DRAWN	审核 CHECKED	批准 APPROVAL	UNLESS OTHERWISE SPECIFIED 1) All dimensions are in metric (mm). 2) Tolerances are as follows: 0 PL DEC ± 1.00 1 PL DEC ± 0.50 2 PL DEC ± 0.20		CUST PART #: N/A
				Angles $\pm 1^{\circ}$	CUST REV. -