

# Molded Parts Specification Control Drawing

Part Number : 201A411thru431  
Description : Boot, Straight, With Lip

## NOTES

- All dimensions are in  $\frac{\text{inches}}{[\text{millimeters}]}$
- Dimensions appearing in table are as follows:
  - a - As Supplied
  - b - After Unrestricted Recovery
- Coating is optional. As supplied dimensions appearing in table are for uncoated parts. When coating is added, entry diameters will be reduced by .06 max.

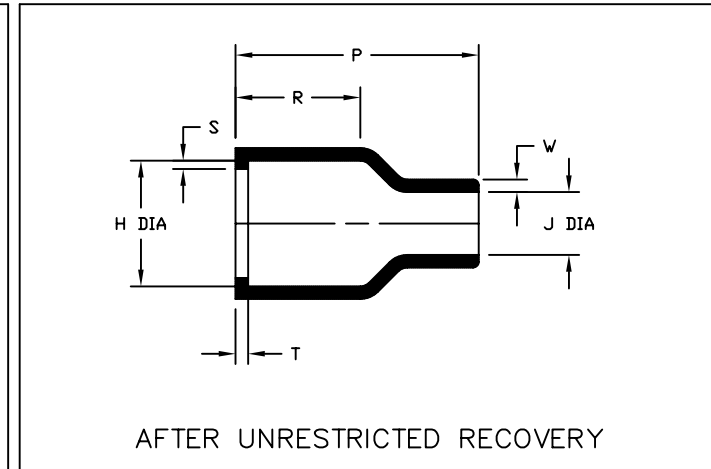
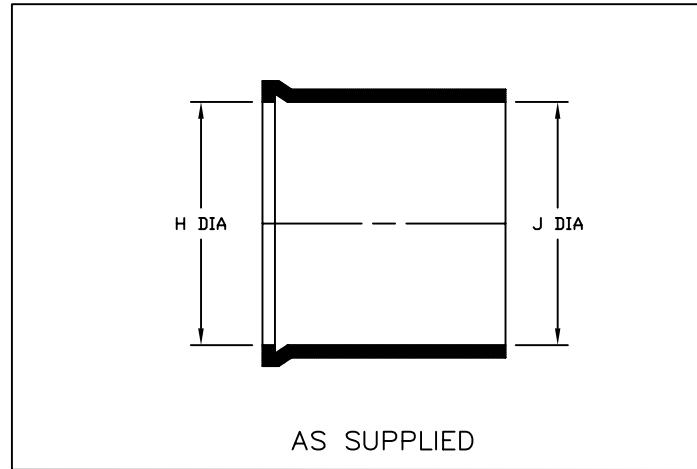


TABLE OF DIMENSIONS									
PART NUMBER	H		J		P	R	S	T	W
	Min	Max	Min	Max	±10%	±10%	±20%	±25%	±20%
	a	b	a	b	b	b	b	b	b
201A411	$\frac{.90}{[22,9]}$	$\frac{.56}{[14,2]}$	$\frac{.90}{[22,9]}$	$\frac{.41}{[10,4]}$	$\frac{1.07}{[27,2]}$	$\frac{.44}{[11,2]}$	$\frac{.07}{[1,8]}$	$\frac{.08}{[2,0]}$	$\frac{.08}{[2,0]}$
201A431	$\frac{1.75}{[44,5]}$	$\frac{.87}{[22,1]}$	$\frac{1.75}{[44,5]}$	$\frac{.41}{[10,4]}$	$\frac{1.22}{[31,0]}$	$\frac{.45}{[11,4]}$	$\frac{.10}{[2,5]}$	$\frac{.08}{[2,0]}$	$\frac{.08}{[2,0]}$

**tyco**  
Electronics

**Raychem**

TYCO ELECTRONICS  
300 CONSTITUTION DRIVE  
MENLO PARK, CALIFORNIA 94025

© 2006 Tyco Electronics Corporation. All rights reserved

If this document is printed it becomes uncontrolled. Check for the latest revision.

Revision : H  
Date : 12/04/06

Page 1 OF 2

Part Number : 201A411thru431  
Description : Boot, Straight, With Lip

CAD FILE MP060163

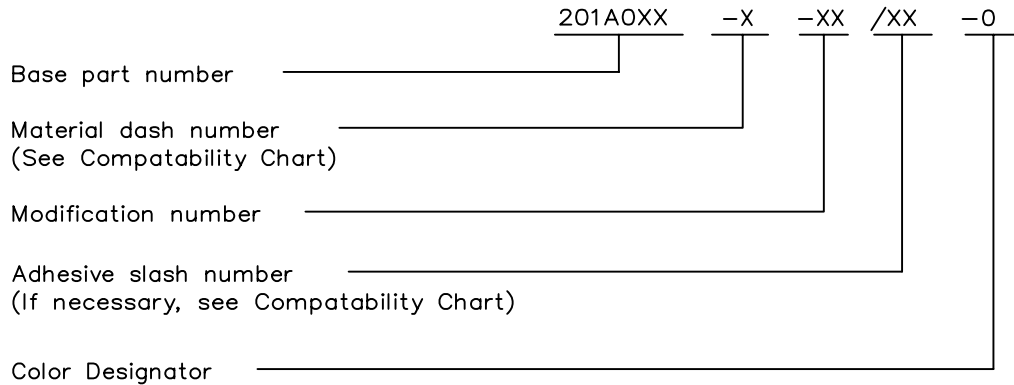
# Molded Parts

## Specification Control Drawing

Part Number : 201A411thru431  
 Description : Boot, Straight, With Lip

COMPATABILITY CHART					
MATERIAL DASH NO.	MATERIAL DESCRIPTION	RT SPEC	COATING SLASH NO.	COATING S NO.	COATING DESCRIPTION
-3	Polyolefin, Semi-Rigid	RT-301	N/A		
-4	Polyolefin, Flexible	RT-1304	N/A		
-6	Silicone, Flame Retarted	RT-602	N/A		
-25	Elastomer, Fluid Resistant	RT-1325	N/A		

### ORDERING INFORMATION



THIS DRAWING IS SUBJECT TO CHANGE WITHOUT NOTICE; CONSULT YOUR  
 NEAREST FIELD REPRESENTATIVE FOR CURRENT REVISION



If this document is printed it becomes uncontrolled. Check for the latest revision.

TYCO ELECTRONICS  
 300 CONSTITUTION DRIVE  
 MENLO PARK, CALIFORNIA 94025

Revision : H  
 Date : 12/04/06  
 Page 2 OF 2

Part Number : 201A411thru431  
 Description : Boot, Straight, With lip  
 CAD FILE MP060163