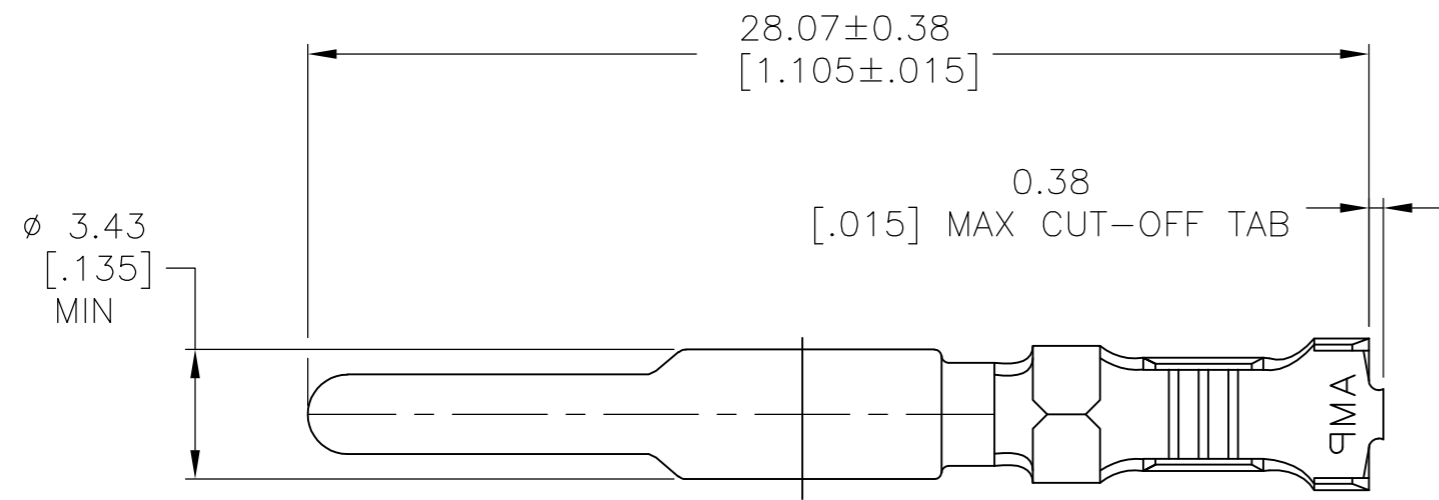
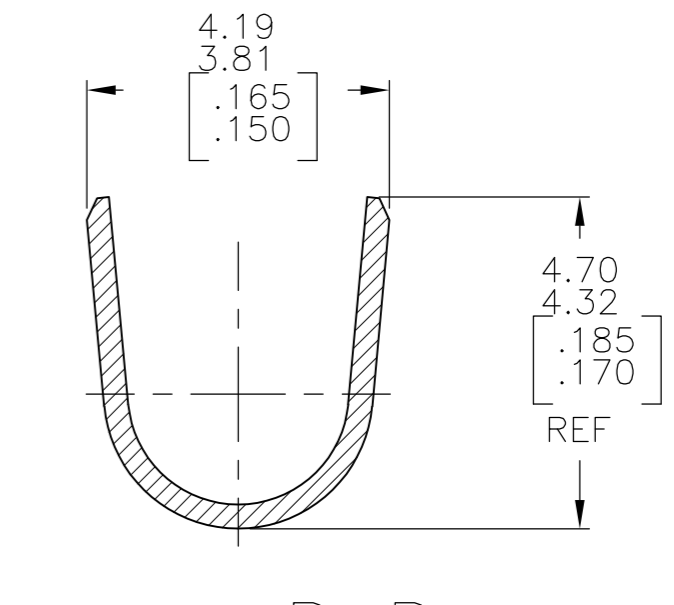
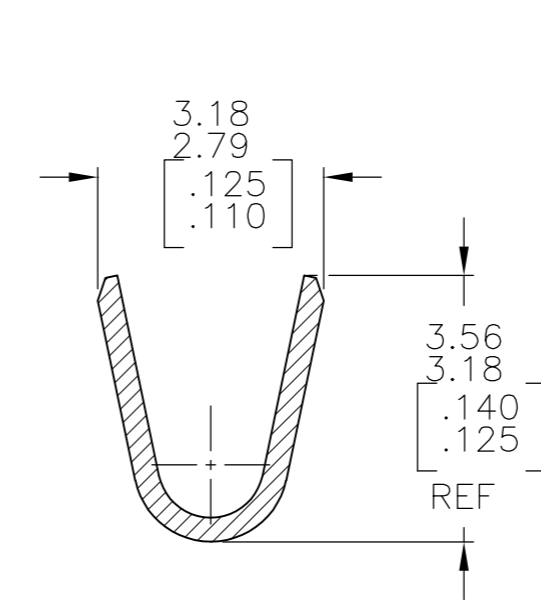
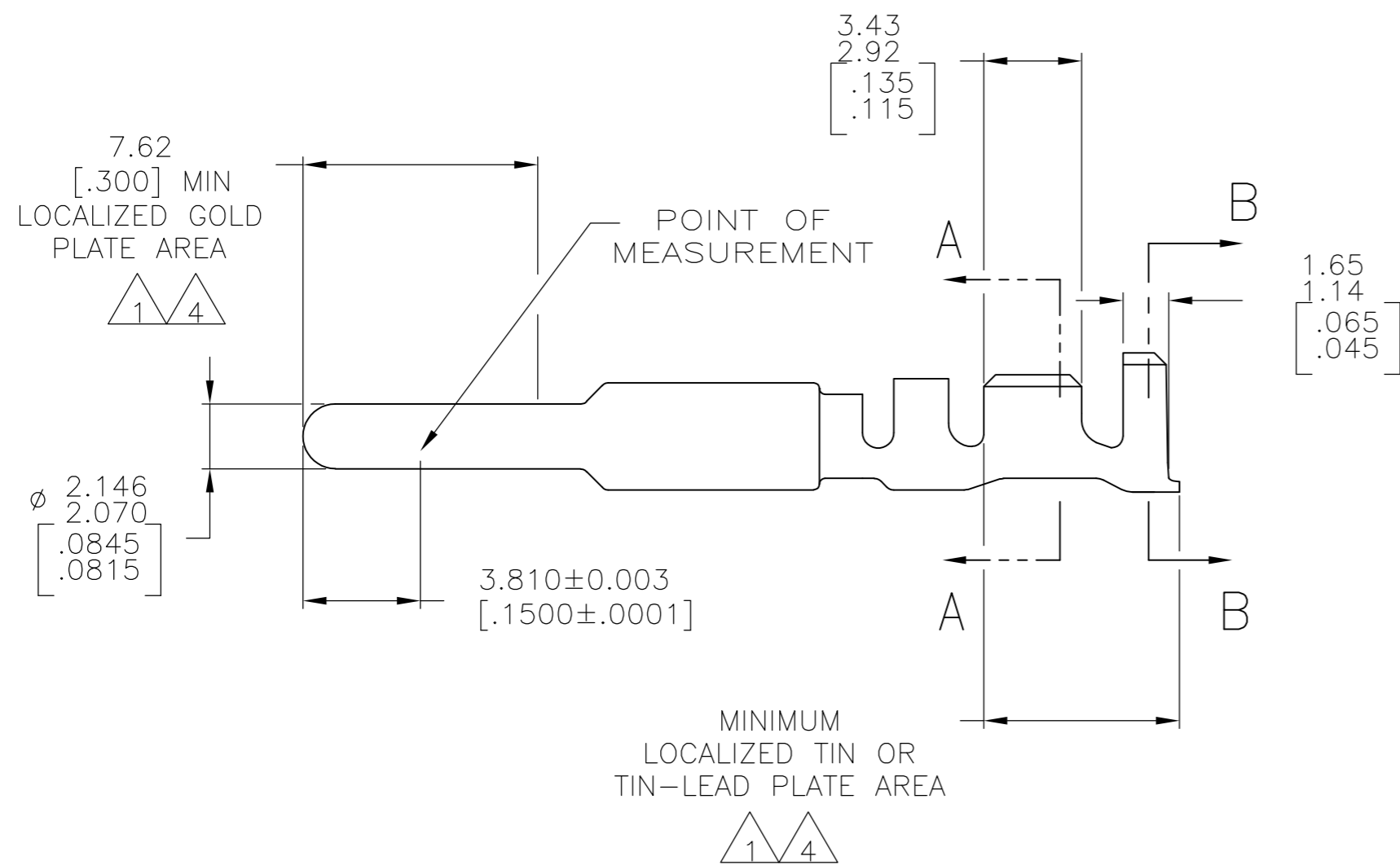


THIS DRAWING IS UNPUBLISHED. RELEASED FOR PUBLICATION
 © COPYRIGHT - By - ALL RIGHTS RESERVED.

LOC		DIST		REVISIONS			
P	LTR	DESCRIPTION		DATE	DWN	APVD	
CM	00	G		REVISED PER ECR-13-008204	10DEC2013	KH	TM



- 1 0.00076[.000030] MIN GOLD AT POINT OF MEASUREMENT IN THE LOCALIZED GOLD PLATE AREA, 0.00127[.000050] MIN TIN-LEAD IN THE TIN-LEAD PLATE AREA, 0.00127[.000050] MIN NICKEL UNDERPLATE ON ENTIRE CONTACT.
- 2 WIRE RANGE: 0.5-2mm² [20-14] AWG. INSULATION RANGE: 1.52-3.30[.060-.130] DIA.
- 3 DIMENSIONS IN BRACKETS ARE IN INCHES.
- 4 0.00076[.000030] MIN GOLD AT POINT OF MEASUREMENT IN THE LOCALIZED GOLD PLATE AREA, 0.00127[.000050] MIN MATTE TIN IN MATTE TIN PLATE AREA, 0.00127[.000050] MIN NICKEL UNDERPLATE ON ENTIRE CONTACT.
- 5 SUPERSEDED BY 1-770254-0



FINISH	MATERIAL	PART NUMBER
GOLD 4	0.30[.012] BRASS	1-770254-0
GOLD 1	0.30[.012] BRASS	-770254-2-
PRE-TIN	0.30[.012] BRASS	770254-1

THIS DRAWING IS A CONTROLLED DOCUMENT.		DWN S.CARPENTER 11AUG03	TE TE Connectivity	
DIMENSIONS: mm [INCHES]		CHK C.JONES 11AUG03		
TOLERANCES UNLESS OTHERWISE SPECIFIED:		APVD C.JONES 11AUG03	NAME PIN, GROUNDING, LOOSE PIECE, UNIVERSAL MATE-N-LOK(TM) II	
0 PLC ± -		PRODUCT SPEC	SIZE CAGE CODE DRAWING NO RESTRICTED TO	
1 PLC ± -		APPLICATION SPEC	A2 00779 C=770254	
2 PLC ± -		WEIGHT -	SCALE 5:1 SHEET 1 OF 1 REV G	
3 PLC ± -		CUSTOMER DRAWING		
4 PLC ± -				
ANGLES ± -				
FINISH SEE TABLE				