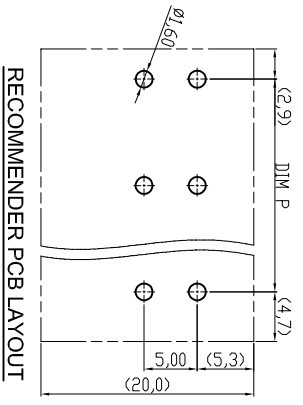
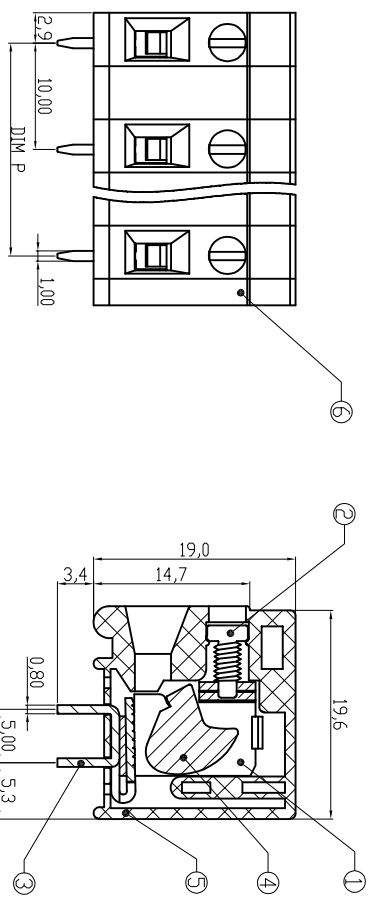
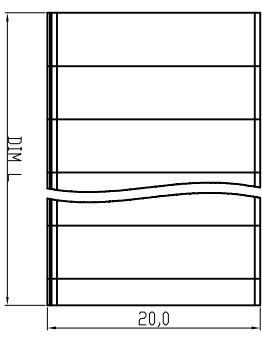


1	2	3	4	5	6	7
A	B	C	D	E	F	G
<p>1</p>						
<p>3</p>						
<p>5</p>						
<p>7</p>						



- Material
- ① Terminal body(metal housing): steel stamping Zinc plating
 - ② Terminal screw: Steel Zinc plating " " slot type
 - ③ Solder pin: Brass,Tin plated
 - ④ Firm wire chunk: steel Zinc plating
 - ⑤ Terminal housing: Thermoplastic (UL94V-0) , GREEN
 - ⑥ Terminal cover:Thermoplastic(UL94V-0)

Electrical cULus

Voltage rating: 300VAC

Current rating: 20A

Wire range:

Solid wire(AWG): 12-22

Stranded wire(AWG): 12-22

Torque(Lb-in): 2.4

Screw: M2.5

Wire strip length: 10-11mm

Withstanding Voltage: 1.6kV

Operating temperature: -40°C to +115°C

Soldering temperature: 250°C±10°C/5 Sec

Safety Approval: **FMUS**

DIMENSION

L	Nx10.0-2.5
P	(N-1)x10.0

N=Number of poles

Poles	Tolerance
2p-4p	±0.20
5p-8p	±0.30
9p-12p	±0.40

RoHS compliant

Unit: mm

File No.: E349947

Scale	Free TOLERANCE
X.	±0.50
X.X	±0.30
X.XX	±0.10
DIM	TOL
X.°	±1°
Angle	TOL

Id.	Modification	Date	Name
①	Add UL	15.03.2016	Amy
②	Drawn	19.04.2010	Alex

Date	Name
19.04.2010	Alex
15.03.2016	Amy

ASSMANN
wsw components

Customer-No.	ASSMANN WSW-No.	A-TB100-TRXXH
Drawing-No.	ASS 4097 CO	rev01
Replace		Sheet