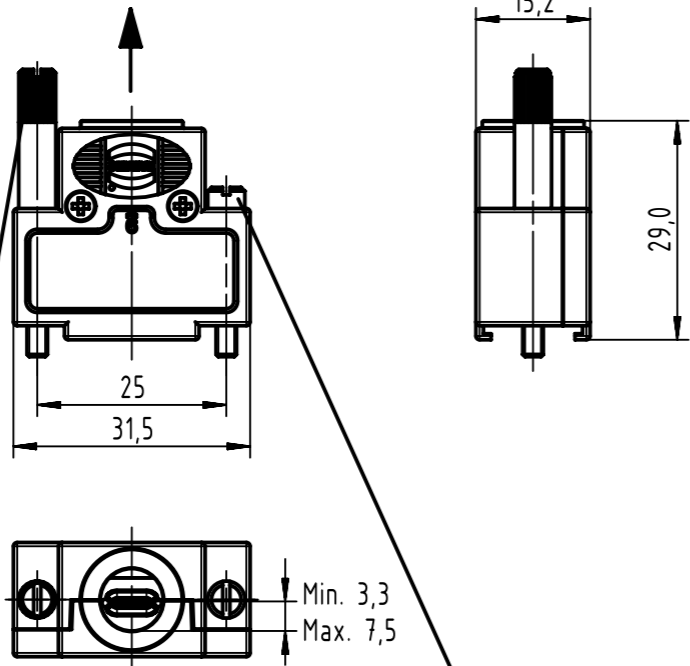


1 cable entry



Cover screw ST2,2 X 12,0  
Type H philips

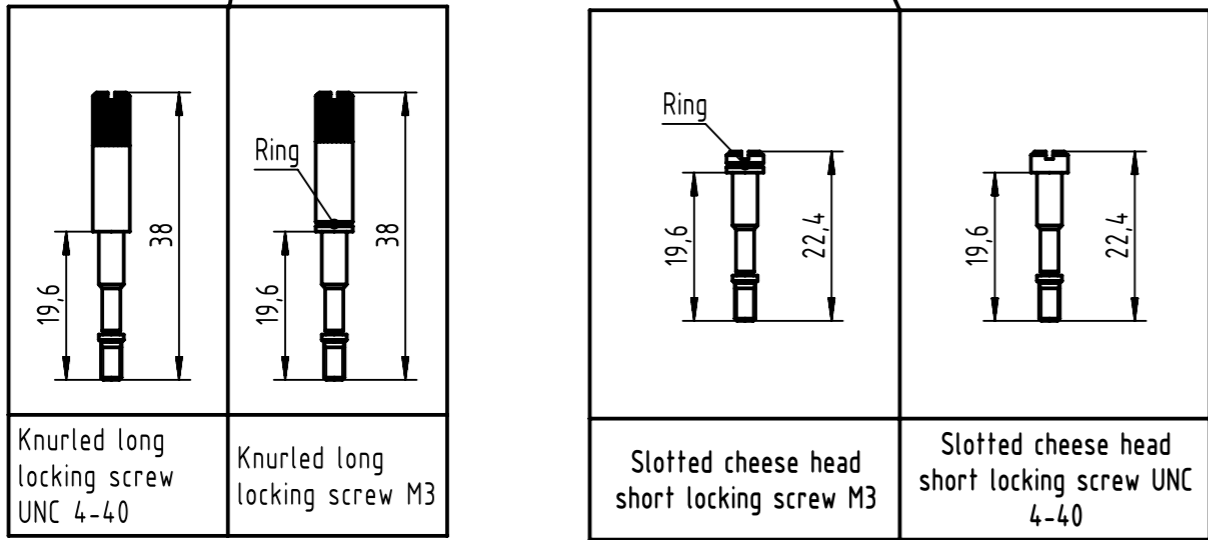
Screw for cable clamp ST2,2  
Type H philips

Cable clamp

Thread size  
(Optional)

Screw type  
(Optional)

Screw type  
(Optional)



Content D-Sub hood			Spare parts (MOQ100)	
Pos.	Quantity	Description	Part Number	Quantity
01	1	Bottom hood		
02	1	Top cover		
03	2	Locking screw:(Preassembled)		
		either slotted cheese head short locking screw 4-40 UNC( for 0967 009 0442)		
		or slotted cheese head short locking screw M3(for 0967 009 0482)		
		or knurled long locking screw 4-40 UNC(for 0967 009 0432)		
		or knurled long locking screw M3(for 0967 009 0492)		
04	2	Cover screw ST2,2		
05	2	Clamp screw ST2,2	0967 000 9944	1
06	1	Cable clamp	0967 000 9942	1

09 67 009 04X2			
09 67 009 0492	M3	Long locking screw	With ring
09 67 009 0432	4-40 UNC		without ring
09 67 009 0482	M3	Short locking screw	With ring
09 67 009 0442	4-40 UNC		Without ring
Part number	Screw size	Screw type	Identification for locking screw

		All rights reserved	Created by ZENGDO	Inspected by LUOK	Standardisation ROEBEN	Date 2022-01-21	State Final Release
HARTING D-32339 Espelkamp		Department EL PD	Title D-Sub plastic hood 9-pole with locking screws Type TB Number 096700904X2		Doc-Key / ECM-Nr. 100633636/UGD/000/E 50000208988		
				Rev. E	Page 1/1		