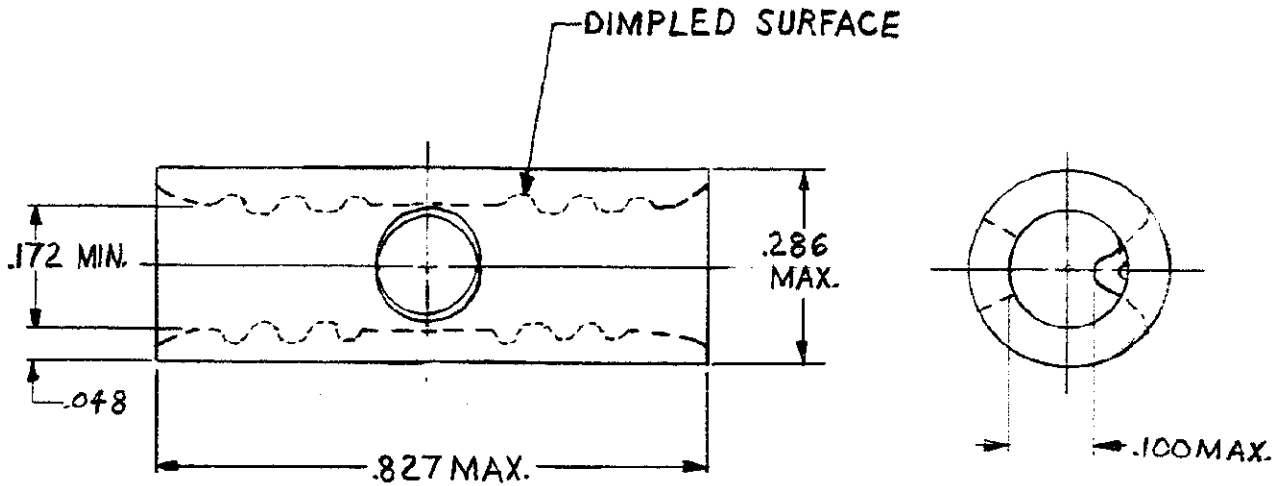


NUMBER  
328605



PART NO.	FINISH
328605	GOLD PLATED
<del>2328605-1</del>	<del>HIGH TEMP GOLD PLATED</del>

MAX FEATURE LENGTH DOES NOT INCLUDE MANUFACTURING TABS.

DIMENSIONS IN INCHES. DO NOT SCALE PRINT.

		<b>CUSTOMER COPY REFERENCE ONLY</b>	
MATERIAL AND FINISH <b>COPPER ANNEALED</b>		<b>TE Connectivity</b>	
WIRE RANGE <b>8</b> INSULATION <b>H</b>		CLASS <b>BUTT</b>	
TYPE <b>SOLISTRAND</b>		TOLERANCE EXCEPT AS NOTED $\pm .015$ SCALE <b>1:1</b>	
LOC <b>G</b>	NO <b>A</b>	NO <b>328605</b>	REV <b>D1</b>
NAME <b>WIRE SPLICE</b>			

DI	REVISED PER ECO-16-010674	08AUG2016	NK	DR
REV	DESCRIPTION	DATE	CHK	APVD
DR	<i>T. Bentley 4-5-62</i>	DE		
CHK		APP		

PRINT/DRAWN  
14