

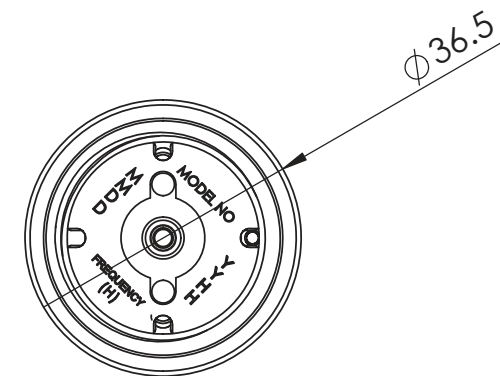
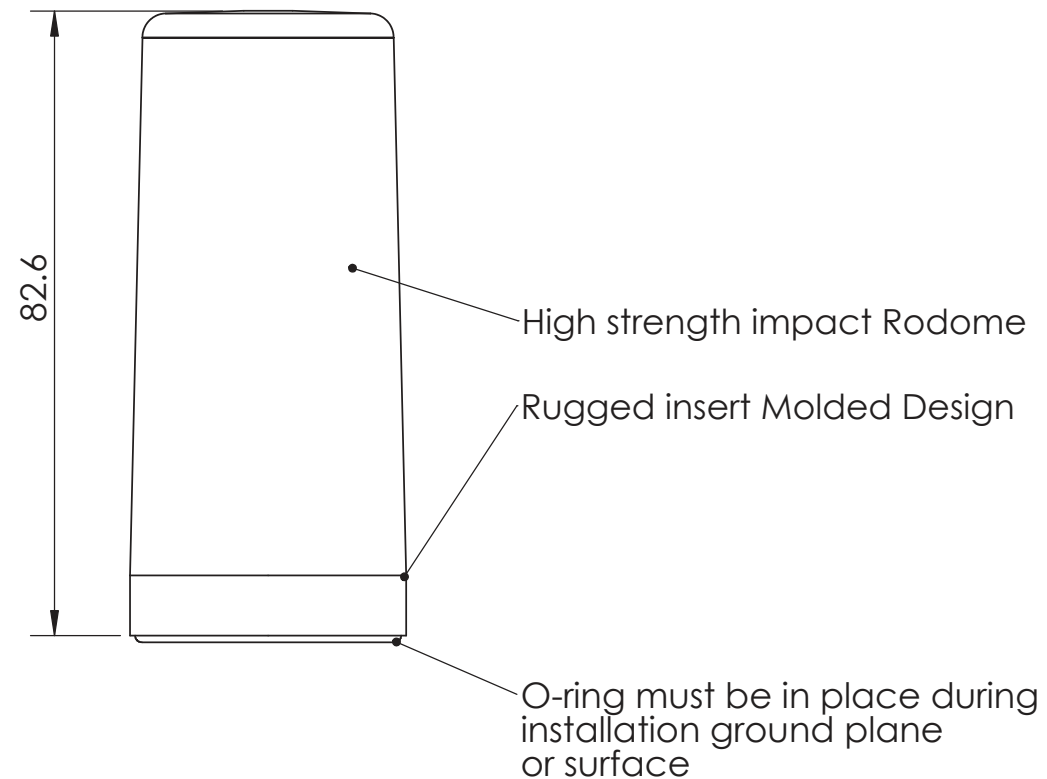
Electrical SPEC

Item	Model Number	Antenna Color	Frequency	VSWR	Gain (Typical)	Gain (Max)	Input Impedance	Polarization
1	UTRA4061S2NW-001	WHITE	406-440 MHz	<2.5:1	2.4 dBi	2.9 dBi	50 ohm	Vertical
2	UTRA4061S2NB-001	BLACK	406-440 MHz	<2.5:1	2.4 dBi	2.9 dBi	50 ohm	Vertical

*Tested on 2ft x 2ft Ground Plane

REVISIONS

REV.	ECR#	ZONE	DESCRIPTION	CHANGED BY/DATE	APPROVED BY/DATE
F01	ECN-IAS-03462	N/A	MO RELEASED	TPC 8 MAY 13	CYH 8 MAY 13



Parameter

Mechanical SPEC

Model Number	Refer to Config Table Below
Antenna Type	Shorted Monopole
Weight	163.3g
Mounting	NMO
Wind Survival	282 km/h
Antenna Dimension	82.6(H)X36.5(Dia.)mm (Excludes Gasket Height)
Operating Temperature	-45°C ~ +85°C
Storage Temperature	-50°C ~ +85°C
Ingression Protection	IP67
Installation Torque	5.43~8.14 Nm

MATERIAL: N/A		THIRD ANGLE PROJECTION			
FINISH: N/A		DO NOT SCALE DRAWING			
APPROVALS		DATE		TITLE: MOUNTING & OUTLINE	
DRAWN BY	TP CHEE	8 MAY 13			
ELEC. ENG.					
MECH. ENG.	TP CHEE	8 MAY 13			
MFG./OPS.				INTERPRET DIMENSIONING AND TOLERANCING IN ACCORDANCE WITH ASME Y14.5M-2009 TOLERANCES UNLESS OTHERWISE SPECIFIED DIMENSIONS ARE IN MILLIMETERS	
ANGLE: ±30' 0 PLACE DECIMAL: ±0.5 1 PLACE DECIMAL: ±0.25 2 PLACE DECIMAL: ±0.13 SURFACE ROUGHNESS 1.6		SIZE A3	DWG. NO. UTRA4061S2NMO	REV F01	
THIS DRAWING IS UNPUBLISHED.		RELEASED FOR PUBLICATION		SCALE: 1:2 PREVIOUS#	
© Copyright 2022 TE Connectivity Ltd.		ALL RIGHTS RESERVED.		SHEET 1 OF 1	