

# SCX-DOOR-LOCK - Locking

1184401

<https://www.phoenixcontact.com/pc/products/1184401>

Please be informed that the data shown in this PDF document is generated from our online catalog. Please find the complete data in the user documentation. Our general terms of use for downloads are valid.



Stable door lock with locking tab for securely locking the Smart Camera Box, protects against unauthorized access, for a padlock with a shackle diameter of up to 12 mm

## Commercial data

Item number	1184401
Packing unit	1 pc
Minimum order quantity	1 pc
Product key	DNC3Z1
GTIN	4063151224226
Weight per piece (including packing)	229 g
Weight per piece (excluding packing)	229 g
Customs tariff number	83024900
Country of origin	SI

# SCX-DOOR-LOCK - Locking



1184401

<https://www.phoenixcontact.com/pc/products/1184401>

## Technical data

### Product properties

Product type	Mounting material
--------------	-------------------

### Dimensions

Width	35 mm
Height	290 mm
Depth	53 mm

### Material specifications

Material	Sheet steel
Surface characteristics	powder coated

# SCX-DOOR-LOCK - Locking

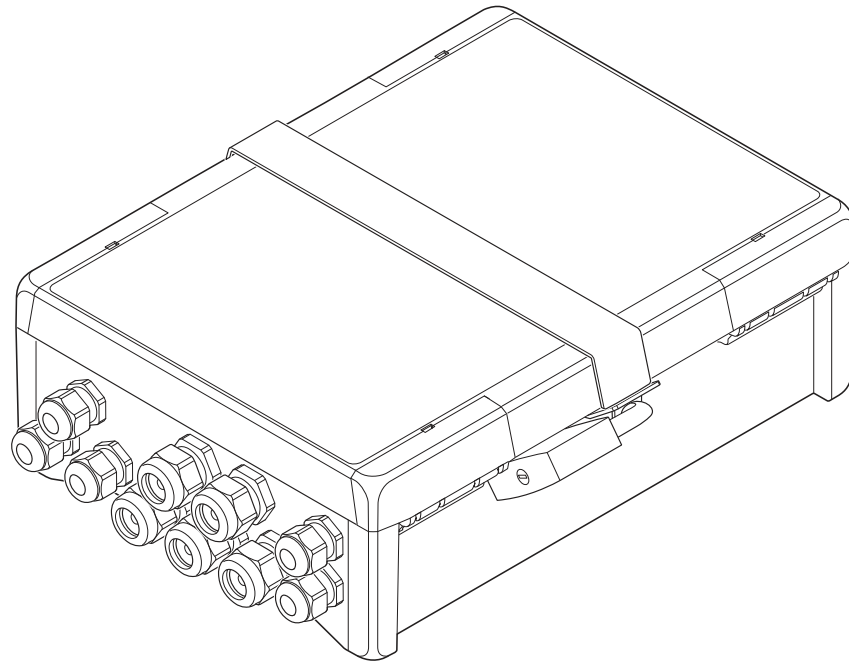
1184401

<https://www.phoenixcontact.com/pc/products/1184401>



## Drawings

Schematic diagram



Mounting the door lock (padlock not included in the scope of supply)

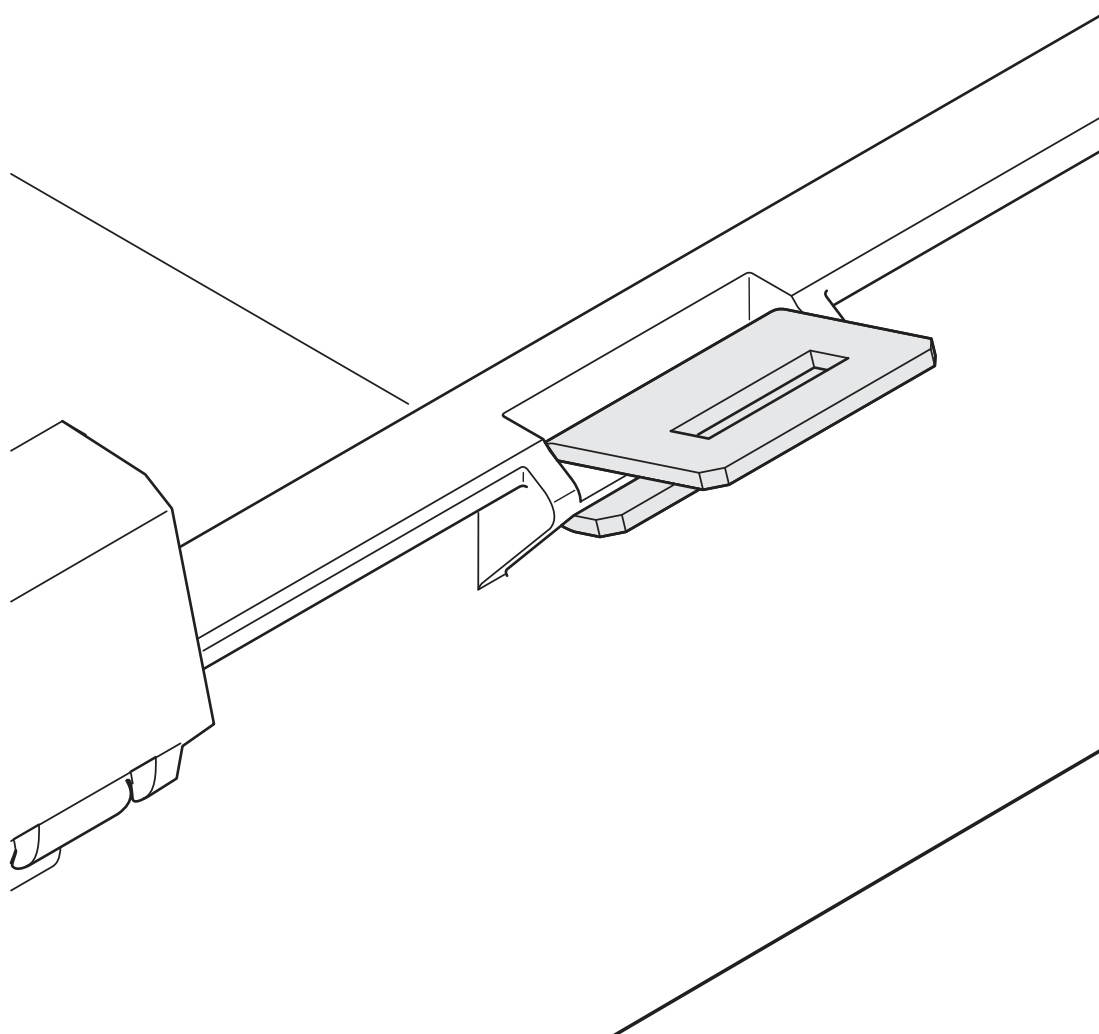
# SCX-DOOR-LOCK - Locking

1184401

<https://www.phoenixcontact.com/pc/products/1184401>



Schematic diagram



Attaching the locking tab

# SCX-DOOR-LOCK - Locking



1184401

<https://www.phoenixcontact.com/pc/products/1184401>

## Classifications

### ECLASS

ECLASS-11.0	27371390
ECLASS-12.0	27371390
ECLASS-13.0	27371390

### ETIM

ETIM 8.0	EC002498
----------	----------

### UNSPSC

UNSPSC 21.0	26121600
-------------	----------

# SCX-DOOR-LOCK - Locking

1184401

<https://www.phoenixcontact.com/pc/products/1184401>



## Environmental product compliance

China RoHS	Environmentally friendly use period: unlimited = EFUP-e No hazardous substances above threshold values
------------	---

# SCX-DOOR-LOCK - Locking

1184401

<https://www.phoenixcontact.com/pc/products/1184401>



## Accessories

### SCX 2POE 2T - Industrial Ethernet Switch

1108544

<https://www.phoenixcontact.com/pc/products/1108544>



Smart Camera Box to connect PoE end devices, two PoE ports, two uplink ports (RJ45), integrated Managed Switch and surge protection, supply voltage 100 ... 240 V AC, wall or mast mounting

---

### SCX 4POE 2T - Industrial Ethernet Switch

1108542

<https://www.phoenixcontact.com/pc/products/1108542>



Smart Camera Box to connect PoE end devices, four PoE ports, two uplink ports (RJ45), integrated Managed Switch and surge protection, supply voltage 100 ... 240 V AC, wall or mast mounting

# SCX-DOOR-LOCK - Locking

1184401

<https://www.phoenixcontact.com/pc/products/1184401>



## SCX 2POE 2LX - Industrial Ethernet Switch

1108543

<https://www.phoenixcontact.com/pc/products/1108543>



Smart Camera Box to connect PoE end devices, two PoE ports, two uplink ports (SFP slots), Managed Switch, integrated surge protection and splice tray, supply voltage 100 ... 240 V AC, wall or mast mounting

---

## SCX 4POE 2LX - Industrial Ethernet Switch

1102626

<https://www.phoenixcontact.com/pc/products/1102626>



Smart Camera Box to connect PoE end devices, four PoE ports, two uplink ports (SFP slots), Managed Switch, integrated surge protection and splice tray, supply voltage 100 ... 240 V AC, wall or mast mounting

---

Phoenix Contact 2023 © - all rights reserved  
<https://www.phoenixcontact.com>

PHOENIX CONTACT GmbH & Co. KG  
Flachsmarktstraße 8  
D-32825 Blomberg  
+49 (0) 5235-3 00  
[info@phoenixcontact.com](mailto:info@phoenixcontact.com)