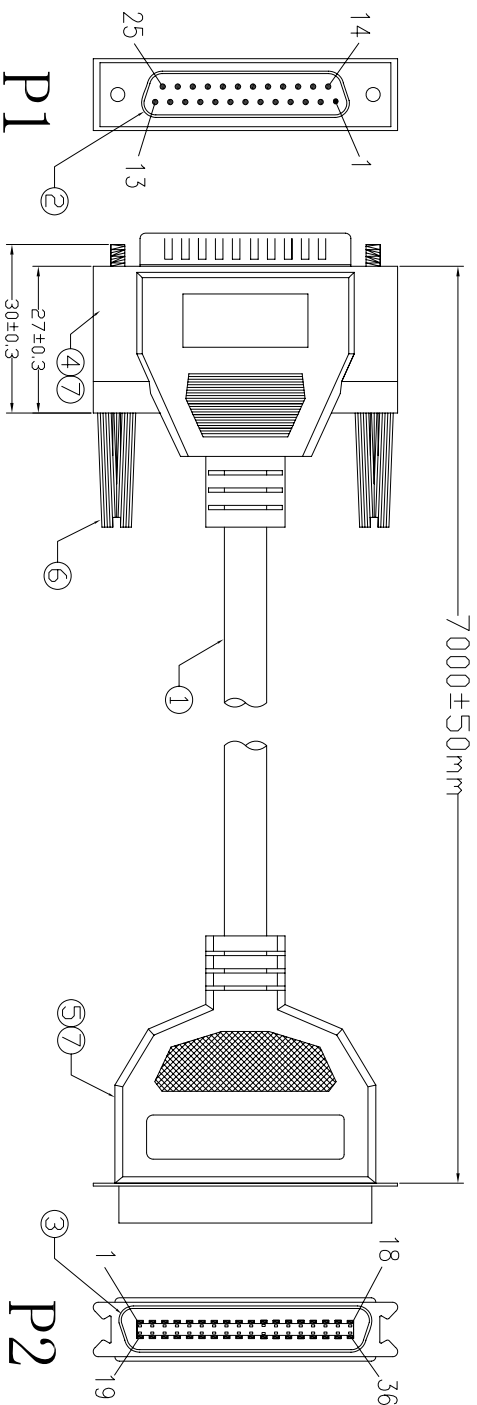


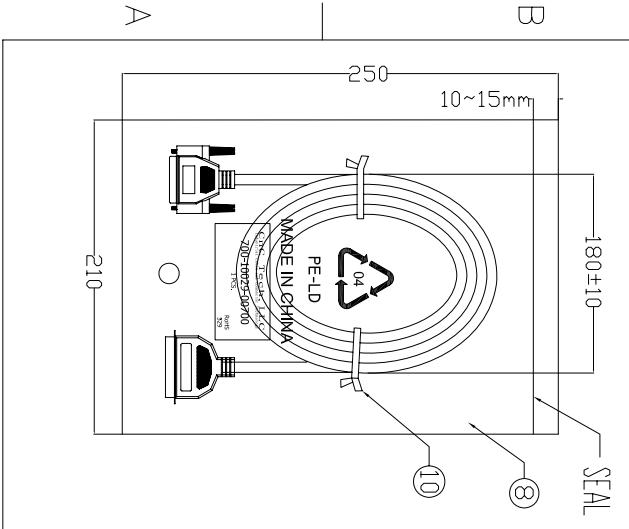
Units: mm



Electronic Test:
 1. 100% Test, (Open, Short, Miss Wire)
 2. Contact Resistance: 5 ohm max.
 3. Insulation Resistance: 10M ohm min.
 4. Hi-Pot: 300V DC/10ms

PIN ASSIGNMENT	
P1	P2
1	1
2	2
3	3
4	4
5	5
6	6
7	7
8	8
9	9
10	10
11	11
12	12
13	13
14	14
15	15
16	16
17	17
18	18
19	19
20	20
21	21
22	22
23	23
24	24
25	25
SHELL	SHELL

NO.	NAME	QTY	SPECIFICATION
①	CABLE	1	NOUL 30#(7/0.10)*25C+D+AL/MY OD6.5mm JACKET BEIGE(V-29) L=7000±30MM
②	CONN	1	DB 25P MALE SODER TYPE PIN G/F SHELL NI-PLATED INSULATOR COLOR:BLUE
③	CONN	1	CN 36P MALE SODER TYPE PIN G/F SHELL NI-PLATED INSULATOR COLOR:BLUE
④	OUT JACKET	30g	BEIGE(V-29) 40P PVC(Mould NO:WM-017)
⑤	IN JACKET	9g	CLEAR LD-PE (Mould NO.:NM-33)
⑥	SOREW	2	#4-40UNC TYPE L=30mm,NICKEL PLATED,MOLD:BEIGE(V-29) ABS
⑦	TUBE	2	HEAT SHRINK TUBE BLACK OD1.5*20MM
⑧	PE BAG	1	CLEAR SIZE: 210*250*0.05mm PRINT BLACK"MADE IN CHINA "+ "IPC"印生"周期,有透气孔.
⑨	PE BAG	1/5	CLEAR SIZE: 360*380*0.05mm PRINT BLACK"MADE IN CHINA "+ "SXS"印生"周期,有透气孔.
⑩	TIE	2	WHITE L=180mm



CnC Tech, LLC

Industrial Cable and Connector Technology

DRAWN BY	ZHONGHS	DRAWING NO.	
CHECKED BY		CUSTOMER	
APPROVAL BY		ITEM NO.	700-10029-00700
DECIDE BY		DATE	2012-02-06
VERSIONS/EDITION	A/0	PROJECTION	