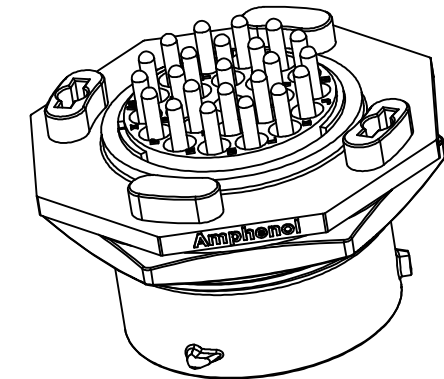
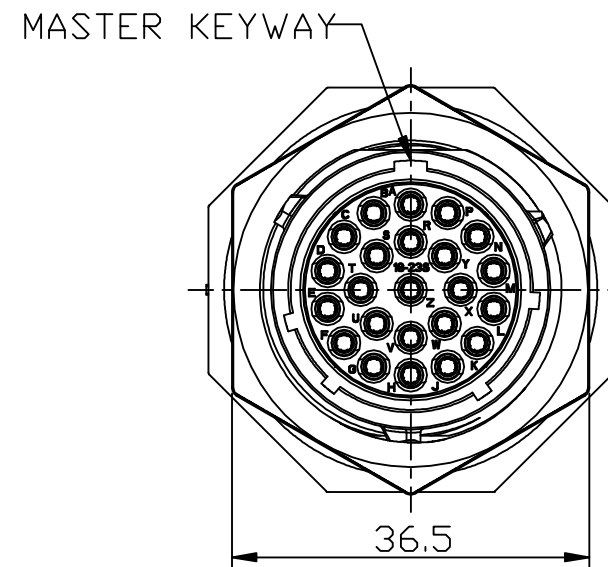
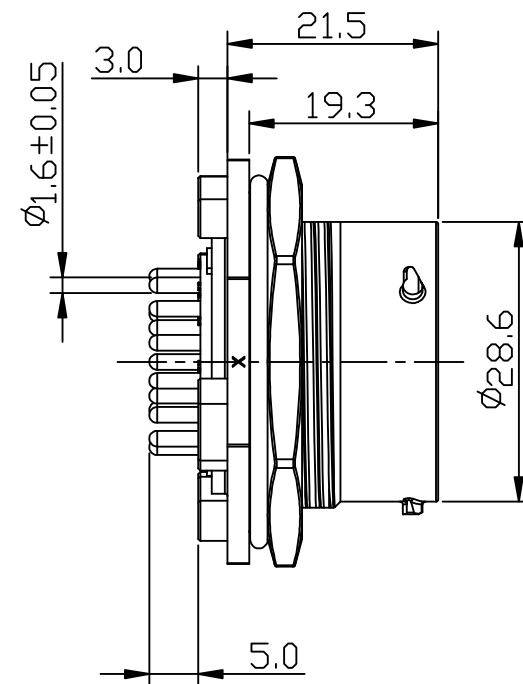
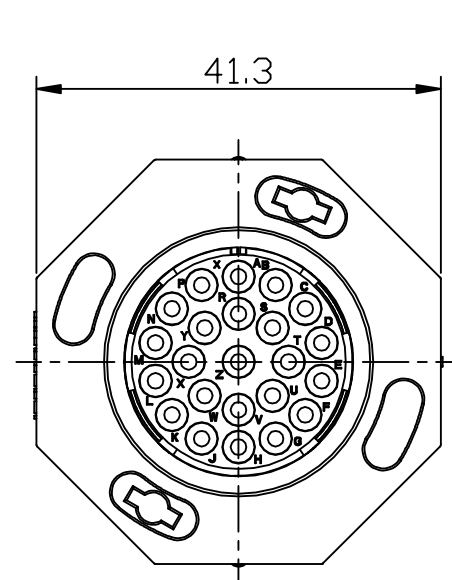


REVISIONS					
REV	ECD	DESCRIPTION	DATE	BY	APPR
A1	-	RELEASED DRAWING	Jul-25-2019	Ronald	Tommy



Position number	X	Y
A	0.000	8.700
B	-3.775	7.838
C	-6.802	5.424
D	-8.482	1.936
E	-8.482	-1.936
F	-6.802	-5.424
G	-3.775	-7.838
H	0.000	-8.700
J	3.775	-7.838
K	6.802	-5.424
L	8.482	-1.936
M	8.482	1.936
N	6.802	5.424
P	3.775	7.838
R	0.000	4.900
S	-3.465	3.465
T	-5.100	0.000
U	-3.465	-3.465
V	0.000	-4.900
W	3.465	-3.465
X	5.100	0.000
Y	3.465	3.465
Z	0.000	0.000

NOTES: (UNLESS OTHERWISE SPECIFIED)

1. MATERIAL:

SHELL: THERMOPLASTIC, UL94 V-0.

INSERT: THERMOPLASTIC, UL94 V-0.

O-RING: NBR/SILICONE RUBBER.

SEAL GASKET: NBR/SILICONE RUBBER.

JAM NUT: ALUMINIUM ALLOY, BLACK ANODIZING.

CONTACT: COPPER ALLOY, GOLD PLATED

2. SPECIFICATIONS:

2.1 RATED CURRENT: 13A(MAX).

2.2 RATED VOLTAGE: 500V(AC/DC).

2.3 OPERATING TEMPERATURE: -40C - 125C.

2.4 DIELECTRIC WITHSTANDING VOLTAGE: LESS THAN 2

MILLIAMPS CURRENT LEAKAGE@2000 VOLTS AC.

2.5 INSULATION RESISTANCE: 5000 MEGOHMS MIN.

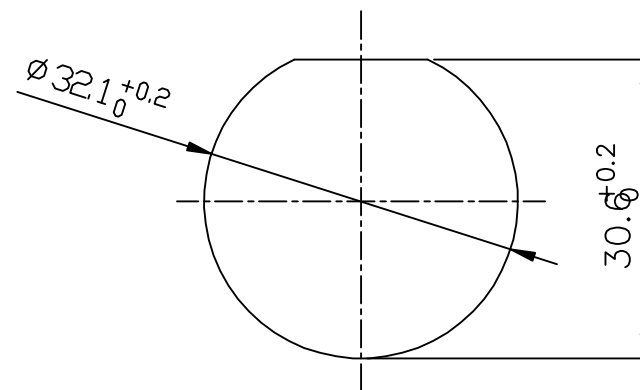
2.6 IP--CLASS: IP67 AND IP69K IN THE MATED CONDITION.

2.7 MATING CYCLES DURABILITY: 500 CYCLES MIN.

2.8 RoHS COMPLIANT.

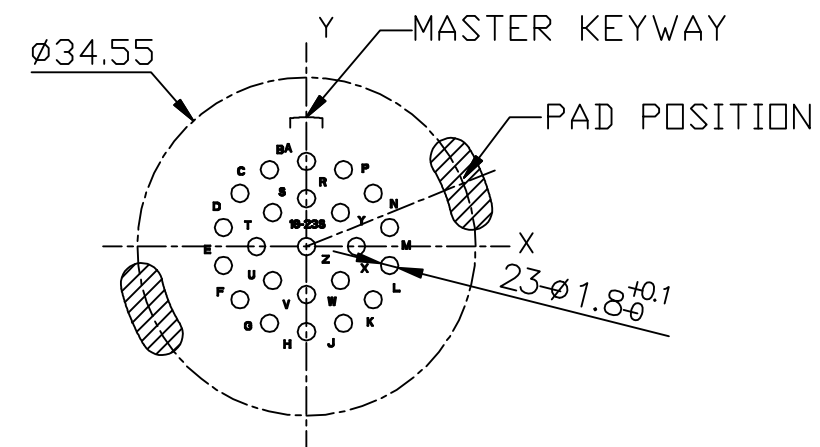
3. SUITABLE CONTACTS: 16# CONTACT.

4. ALL DIMENSIONS ARE FOR REFERENCE USE ONLY.



RECOMMEND MOUNTING HOLE

KEY	PART NUMBER
N	RTS718ND23S03
W	RTS718WD23S03
X	RTS718XD23S03
Y	RTS718YD23S03
Z	RTS718ZD23S03



RECOMMEND PCB LAYOUT

QUANTITY	PART NUMBER	DESCRIPTION	ITEM
MATERIALS LIST			
UNLESS OTHERWISE SPECIFIED		SIGNATURES	
1) All dimensions are in metric(mm).		DRAWN: Ronald Jul-29-2019	
2) Tolerances are as follows:		CHECKED: Martin Jul-29-2019	
1 PL DEC ±0.30		ENGINEER:	
2 PL DEC ±0.15		APPROVAL: Tommy Jul-29-2019	
3 PL DEC ±0.08		CUSTOMER:	
3) Note reference =		MATERIAL SPECIFICATIONS:	
PROCESS SPECIFICATIONS:		THIS DRAWING IS SUPPLIED FOR INFORMATION ONLY. DESIGN FEATURES, SPECIFICATIONS AND PERFORMANCE DATA SHOWN HEREON ARE THE PROPERTY OF THE AMPHENOL CORPORATION. NO RIGHTS OF REPRODUCTION ARE IMPLIED. ALL DIMENSIONS ARE SUBJECT TO NORMAL MANUFACTURING VARIATIONS.	
NEXT ASS'Y:		SCALE: NONE	

Amphenol

Sine Systems - www.amphenol-sine.com
44724 Morley Drive
Clinton Township, MI 48036

ECOMATE® AQUARIUS™, RECEPTACLE, JAM NUT, SIZE 18, 23POS, SOCKET, DIPSOLDER

SIZE	TYPE	DWG NO:	REVISION
B	C-	RTS718*D23S03	A1

SHEET 1 OF 1

TIRESEPTACLE, JAM NUT, 23 POS, SOCKET CONTACT, DIPSOLDER, SIZE 18
 REV: A1 SH: 1 OF: 1
 RT5718D23S03