

XUZASK004

Fixing bracket, Photoelectric sensors XU,
accessory for sensor, XUK laser + TOF, angle
fine adjustable



Main

| | |
|---------------------------------------|--|
| Range of Product | Telemecanique Photoelectric sensors XU |
| Accessory / separate part category | Mounting and fixing accessory |
| Accessory / Separate Part Type | Fixing bracket |
| Product or Component Type | Fixing bracket |
| Accessory / separate part destination | Compact sensor 50 x 50 mm |
| Material | Metal |

Complementary

| | |
|-----------------------|--|
| Product Compatibility | XUK8LAPPNM12 XUK9LAPSMM12 XUK2LAKSMM12T XUK5LAPSMM12 XUK8TAKSMM12 XUK8TAKDMM12 XUK2LAPSMM12R XUK9TAH2MM12 XUK8TAE1MM12 XUK8TAE2MM12 |
| Net Weight | 0.53 lb(US) (0.24 kg) |

Ordering and shipping details




| | |
|-----------------------|-----------------------------|
| Category | 22499 - SENSORS ACCESSORIES |
| Discount Schedule | DS2 |
| GTIN | 3389119621311 |
| Nbr. of units in pkg. | 1 |
| Package weight(Lbs) | 4.30 oz (122 g) |
| Returnability | Yes |
| Country of origin | DE |

Packing Units

| | |
|------------------------------|------------------------|
| Unit Type of Package 1 | PCE |
| Package 1 Height | 2.17 in (5.5 cm) |
| Package 1 width | 3.90 in (9.9 cm) |
| Package 1 Length | 2.80 in (7.1 cm) |
| Unit Type of Package 2 | S01 |
| Number of Units in Package 2 | 25 |
| Package 2 Weight | 7.22 lb(US) (3.275 kg) |
| Package 2 Height | 5.91 in (15 cm) |
| Package 2 width | 5.91 in (15 cm) |
| Package 2 Length | 15.75 in (40 cm) |

The information provided in this documentation contains general descriptions and/or technical characteristics of the performance of the products contained herein. This documentation is not intended as a substitute for and is not to be used for determining suitability or reliability of these products for specific user applications. It is the duty of any such user or integrator to perform the appropriate and complete risk analysis, evaluation and testing of the products with respect to the relevant specific application or use thereof. Neither Schneider Electric Industries SAS nor any of its affiliates or subsidiaries shall be responsible or liable for misuse of the information contained herein.

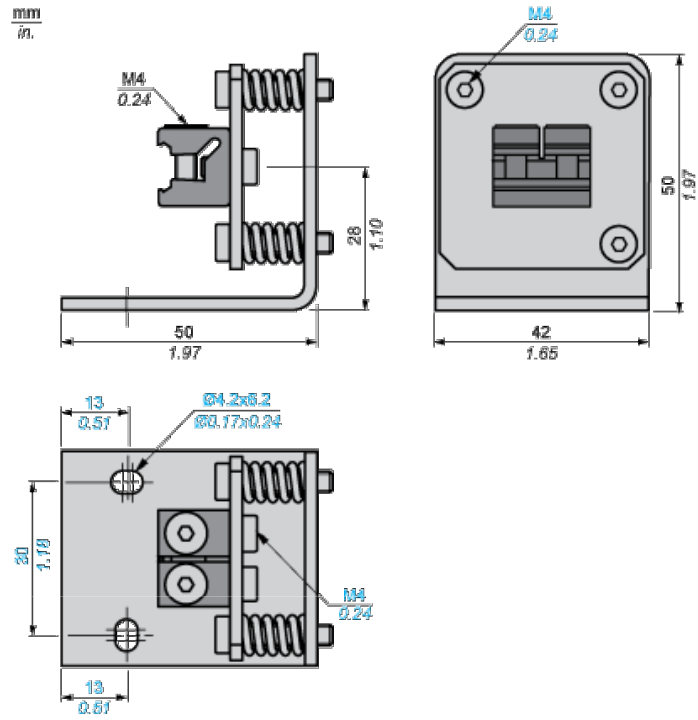
Offer Sustainability

| | |
|----------------------------|---|
| California proposition 65 | WARNING: This product can expose you to chemicals including: Diisononyl phthalate (DINP), which is known to the State of California to cause cancer, and Di-isodecyl phthalate (DIDP), which is known to the State of California to cause birth defects or other reproductive harm. For more information go to www.P65Warnings.ca.gov |
| REACH Regulation |  REACH Declaration |
| REACH free of SVHC | Yes |
| EU RoHS Directive | Pro-active compliance (Product out of EU RoHS legal scope)  EU RoHS Declaration |
| Toxic heavy metal free | Yes |
| Mercury free | Yes |
| RoHS exemption information |  Yes |

Contractual warranty

| | |
|----------|-----------|
| Warranty | 18 months |
|----------|-----------|

Dimensions



Mounting

