
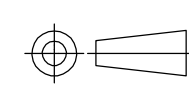


THIS DRAWING IS UNPUBLISHED. RELEASED FOR PUBLICATION  
 © COPYRIGHT - BY TYCO ELECTRONICS CORPORATION. ALL RIGHTS RESERVED.

LOC	DIST	REVISIONS					
AJ	16	P	LTR	DESCRIPTION	DATE	DWN	APVD
			D	REVISED PER EC OS14-0499-04	11JULY05	BM	JL

	RG-58/U	-	226599-2	-	-	228905-2	414046-6
	RG-188/U	-	2-328666-5	980506-1	228575-2	228905-5	414046-5
OBSOLETE	RG-188/U	-	2-328666-5	980506-1	228575-2	228905-4	414046-4
	RG-188/U	-	2-328666-5	413770-2	228575-2	228905-3	414046-3
	RG-188/U	-	9-328666-0	980506-1	228575-2	228905-3	414046-2
	RG-58/U	228906-1	226599-2	980506-1	228575-2	228905-2	414046-1
	FOR USE WITH CABLE	⑤ GASKET QTY=1	④ FERRULE QTY=1	③ LOCKWASHER QTY=1	② JAM NUT QTY=1	① JACK ASSY, BHD,UHF QTY=1	PART NO

THIS DRAWING IS A CONTROLLED DOCUMENT.

DIMENSIONS: INCHES	TOLERANCES UNLESS OTHERWISE SPECIFIED:	DWN M. SNEED 11-28-90	 Tyco Electronics Corporation Harrisburg, Pa 17105-3608
	0 PLC ± - 1 PLC ± - 2 PLC ± - 3 PLC ± - 4 PLC ± - ANGLES ± -	CHK R. HENRY 12-4-90 APVD R. HENRY 12-4-90 PRODUCT SPEC - APPLICATION SPEC -	
MATERIAL -	FINISH -	WEIGHT -	SIZE A3 CAGE CODE 00779 DRAWING NO C-414046 RESTRICTED TO -

CUSTOMER DRAWING SCALE 1:1 SHEET 1 OF 1 REV D