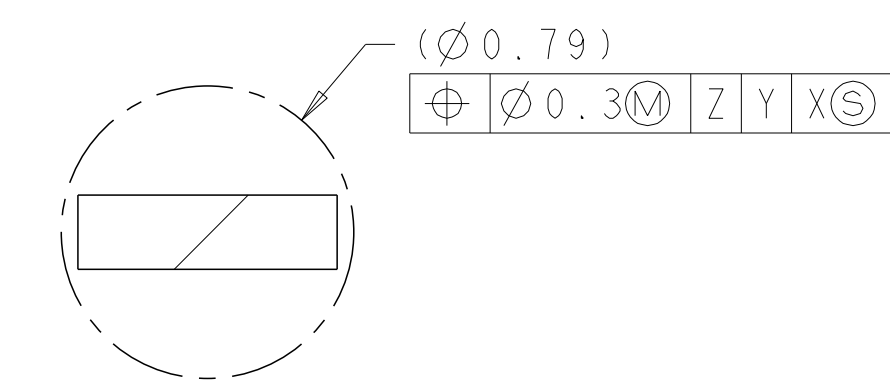
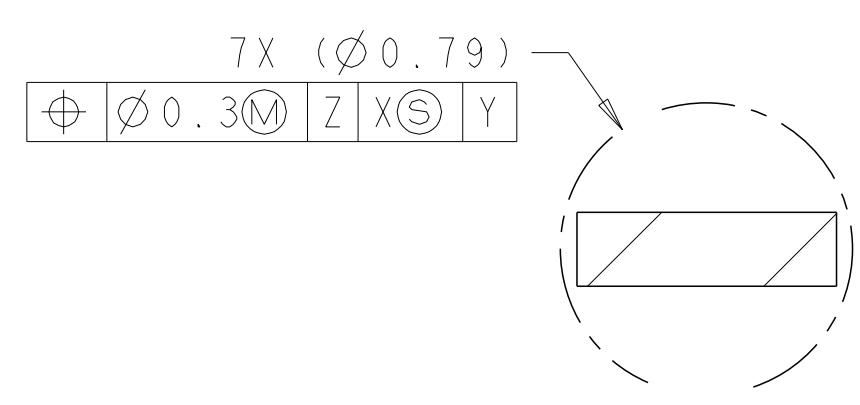
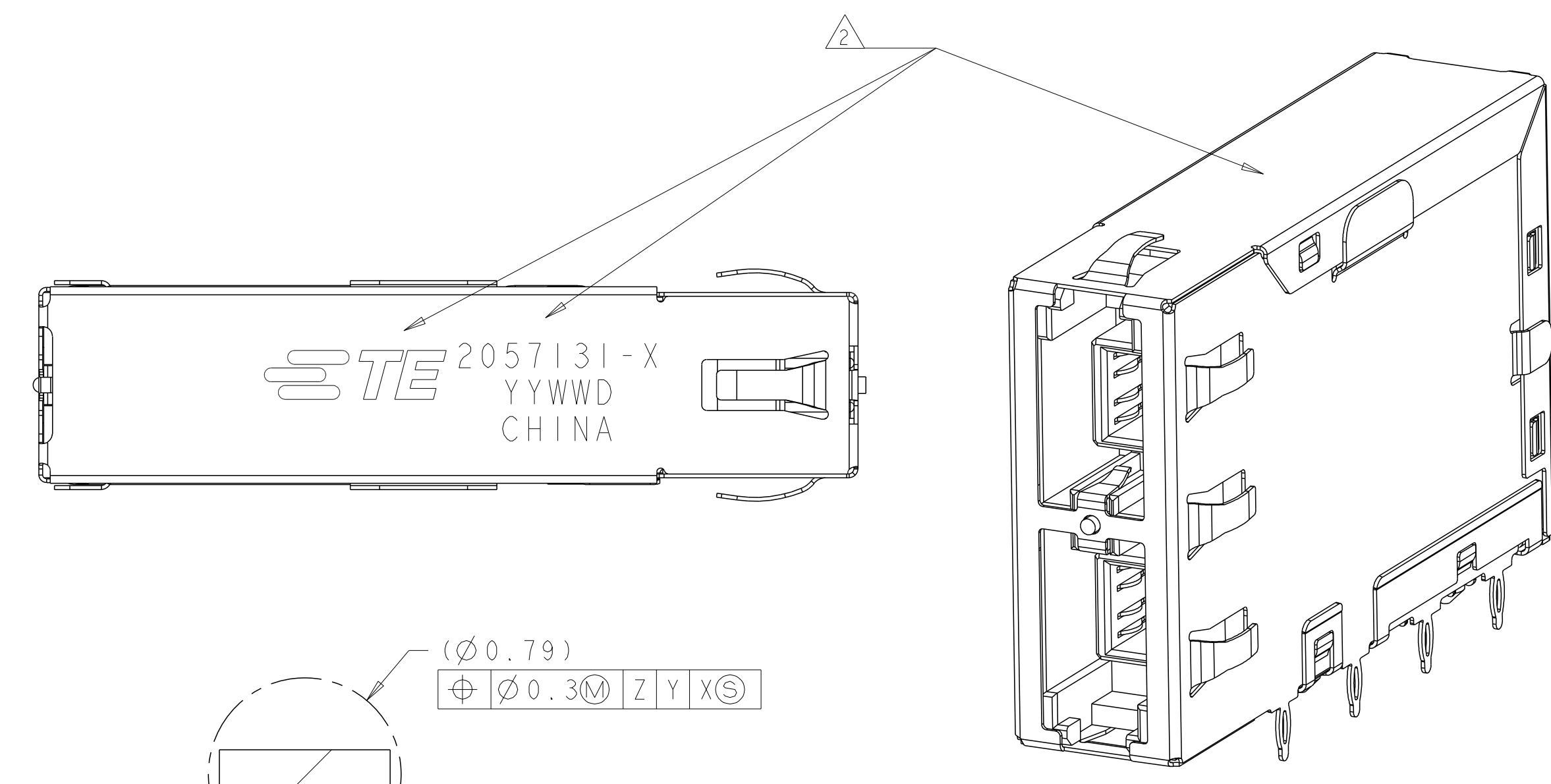


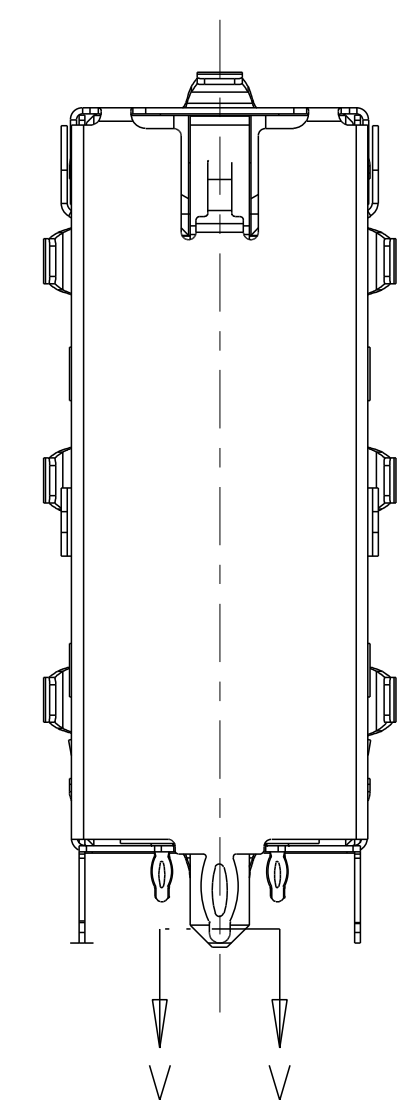
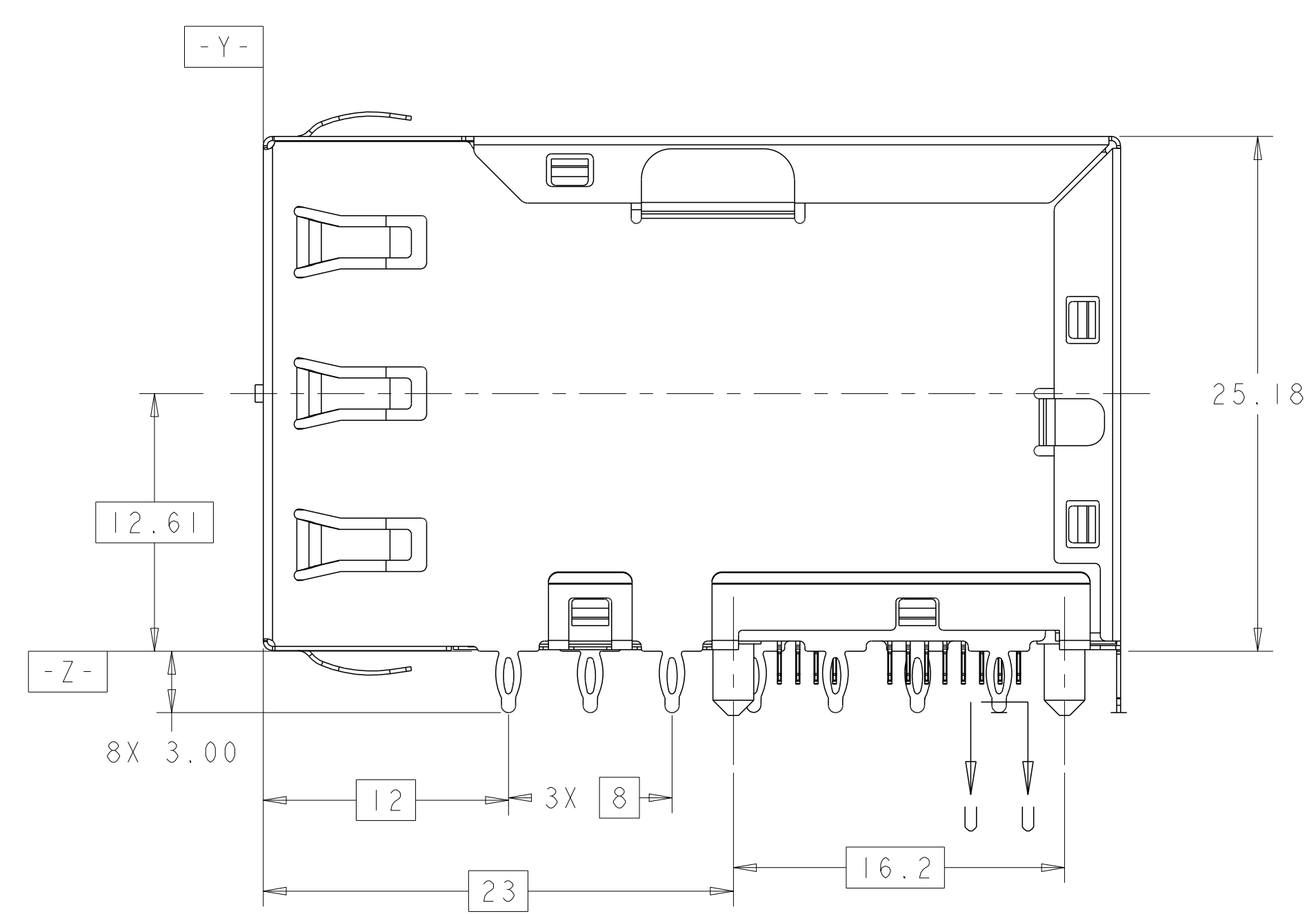
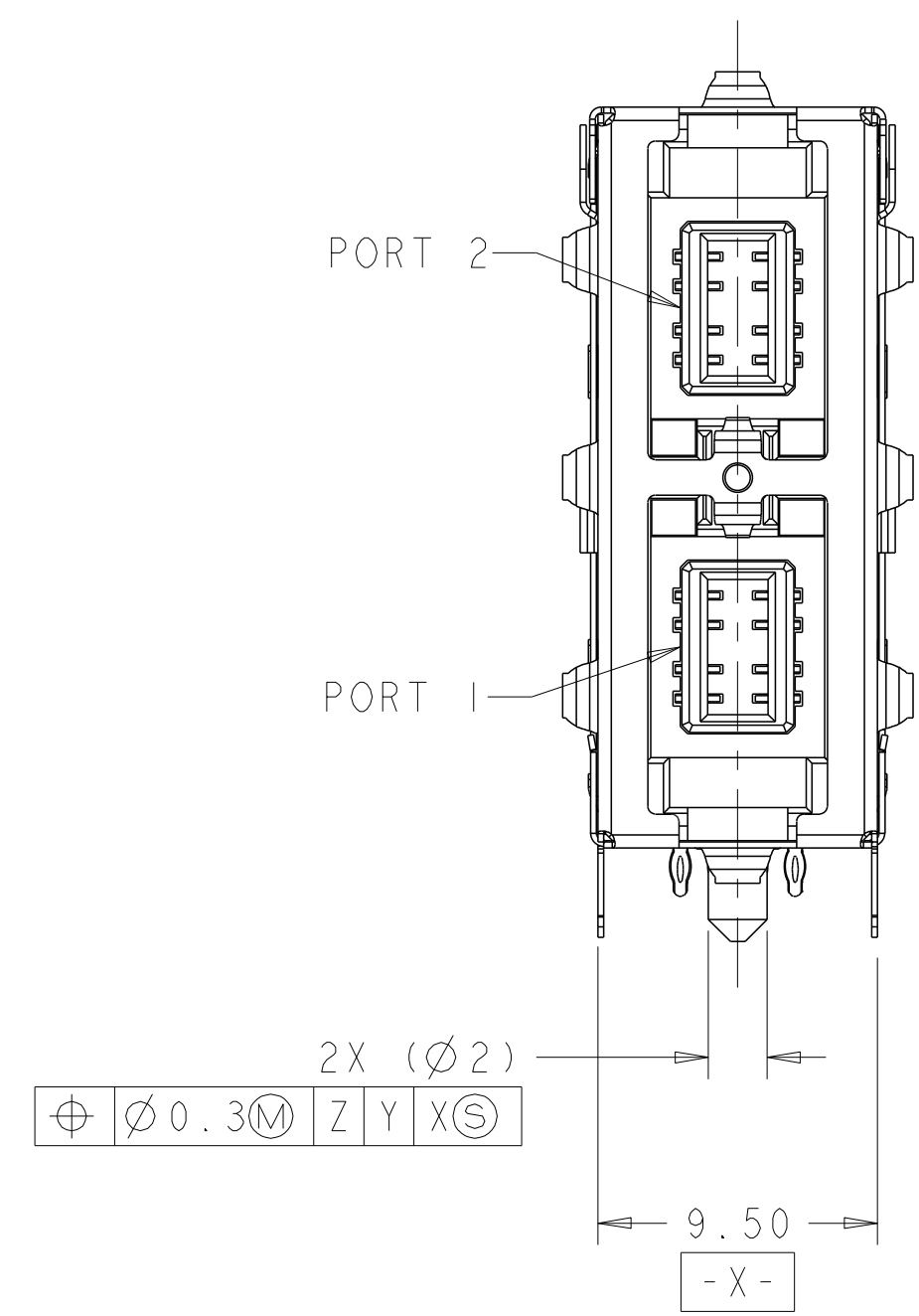
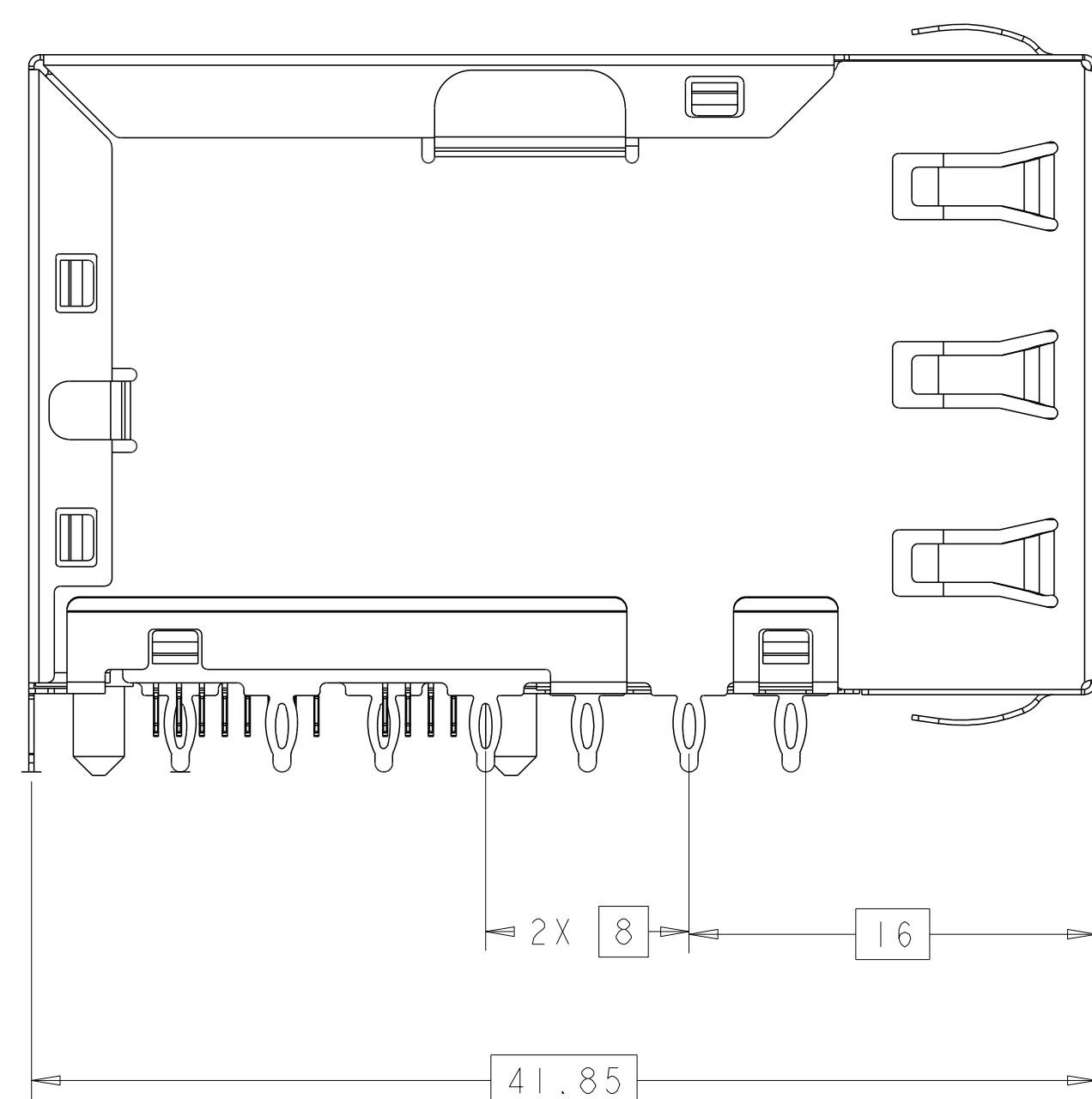
LOC		DIST		REVISIONS			
P	LTR	DESCRIPTION	DATE	DWN	APVD		
12		SEE FINAL SHEET	05JUL2011	GZ	KZ		
A		ECO-11-021810	14OCT2011	GZ	KZ		

- MATERIAL:
 HOUSING: BLACK, THERMOPLASTIC, RATED UL 94V-0.
 SHIELD: COPPER ALLOY WITH NICKEL PLATING.
 CONTACTS: PHOSPHOR BRONZE.
 CONTACT PLATING: 0.05µm MIN GOLD OVER
 0.76µm MIN PALLADIUM-NICKEL, AT MATING
 INTERFACE CONTACT AREA.
- TE LOGO, PART NUMBER, DATE CODE
 AND COUNTRY OF ORIGIN, SHOWN APPROXIMATE AREA.
 DATE CODE: YYWW WHERE "YY" IS YEAR, "WW" IS WEEK,
 "D" IS DAY OF WEEK, WITH SUNDAY=1.
- LED IS DRIVEN WITH CURRENT AT APPROX 20 mA
 DOMINANT WAVELENGTH (λD): GREEN 573 nm TYP AT IF=20mA
 FORWARD VOLTAGE (VF): GREEN 2.0V TYP at IF=20mA
 DOMINANT WAVELENGTH (λD): RED 624 nm TYP AT IF=20mA
 FORWARD VOLTAGE (VF): RED 2.0V TYP at IF=20mA
 DOMINANT WAVELENGTH (λD): YELLOW 589 nm TYP AT IF=20mA
 FORWARD VOLTAGE (VF): YELLOW 2.0V TYP at IF=20mA
- RECOMMENDED MIN PCB THICKNESS 1.5mm (.062").
- DATUM AND BASIC DIMENSION ESTABLISHED BY CUSTOMER.
- FOR HOLE SIZE AND PLATINGS, SEE SHEET 4.
- ISOLATION VOLTAGE: 2250VDC(MAX) FOR 60 SECONDS WITH
 A RISE TIME OF 500V/SEC.



SECTION U-U
SCALE 50:1

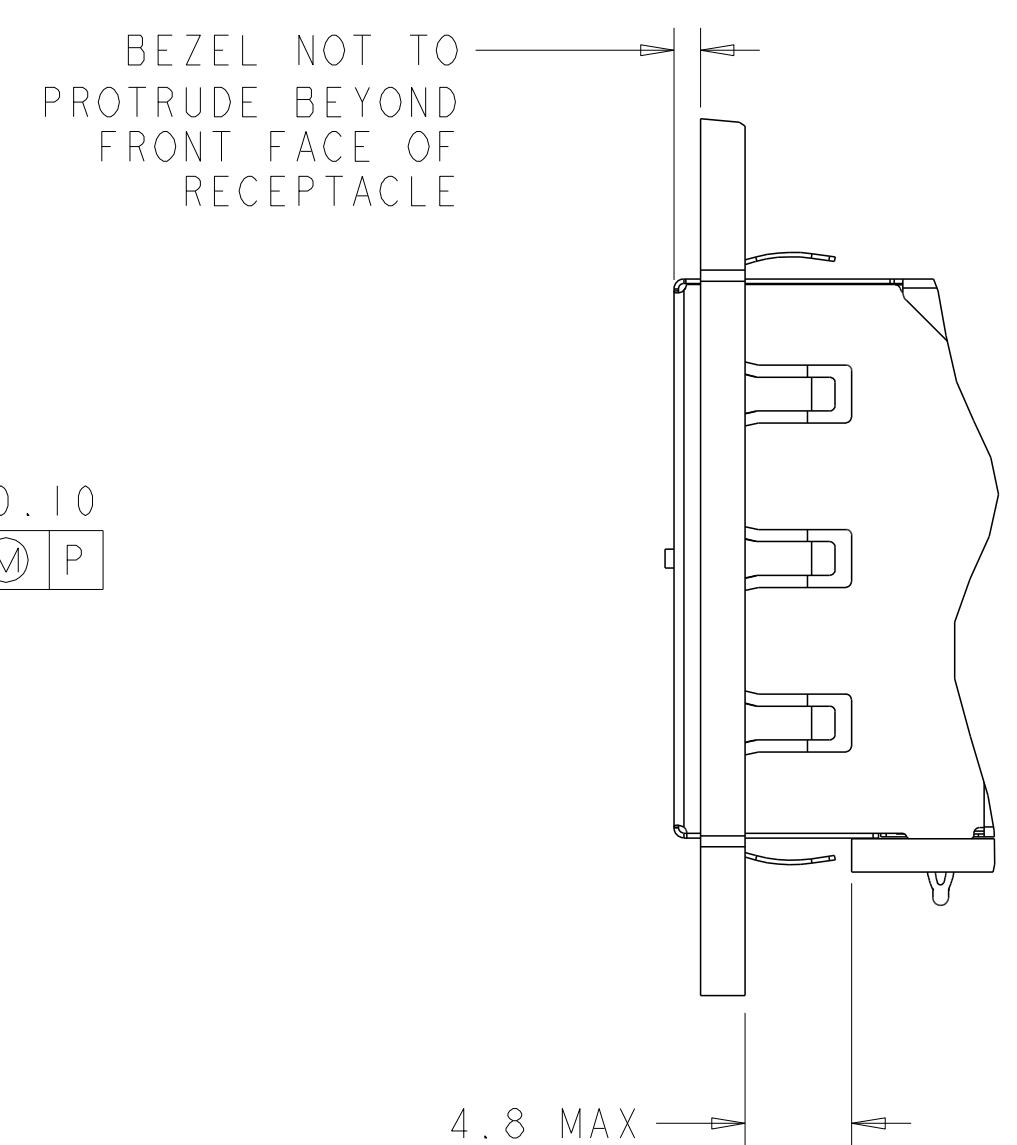
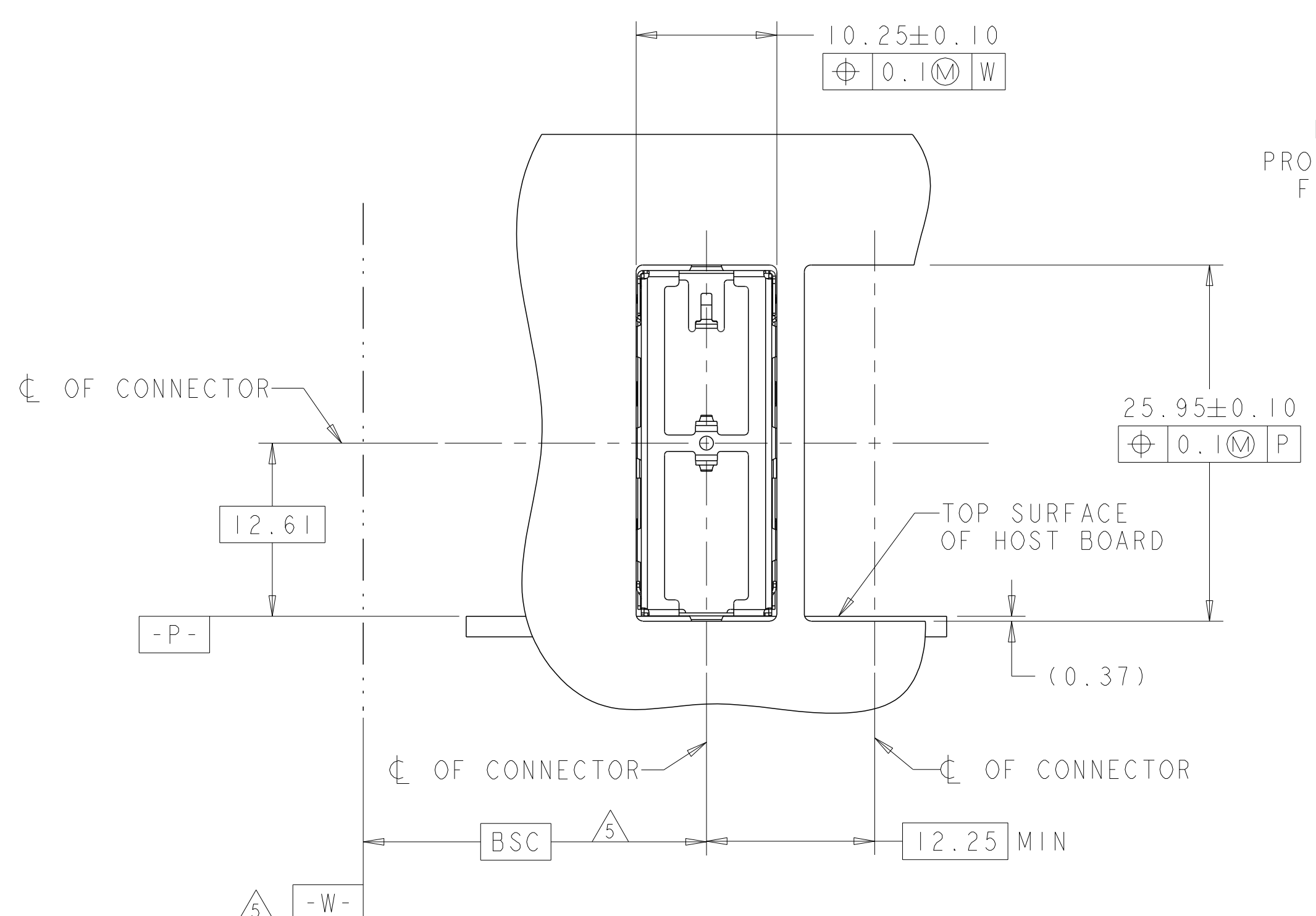
SECTION V-V
SCALE 50:1



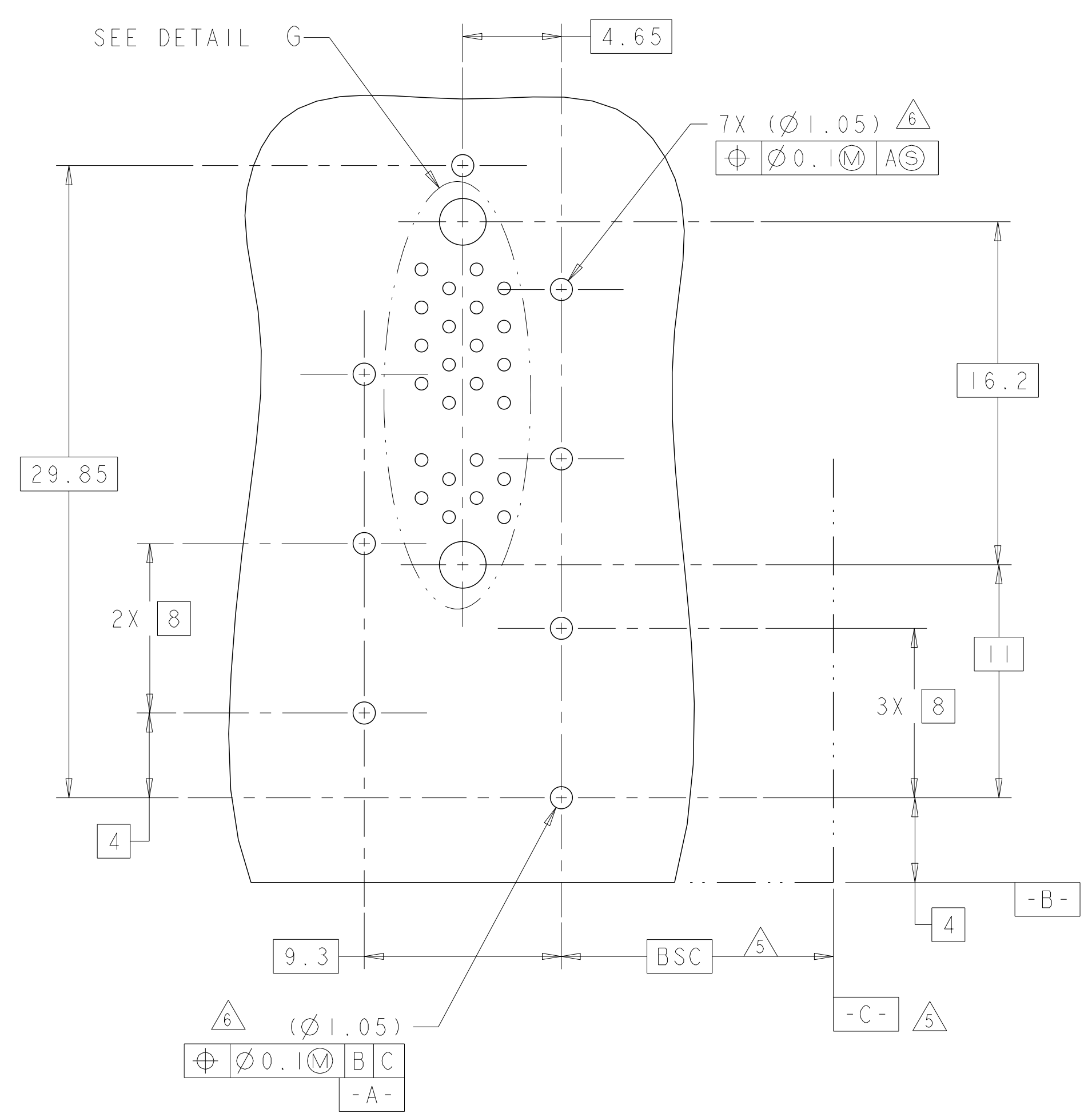
DIMENSIONS:		TOLERANCES UNLESS OTHERWISE SPECIFIED:		APVD		NAME	
mm							
0 PLC	±	0.25	±	04APR2008	M. SHIRK	04APR2008	RECEPTACLE ASSEMBLY, 2X1, NON MAGNETICS, RJ POINT FIVE
1 PLC	±	0.25	±	04APR2008	B. HENRY	04APR2008	
2 PLC	±	0.25	±				
3 PLC	±	0.25	±				
4 PLC	±	0.25	±				
ANGLES	±	0.25	±				
FINISH	±	0.25	±				

LED COLORS	PART NUMBER
YELLOW/GREEN BI-COLOR	2057131-2
RED/GREEN BI-COLOR	2057131-1

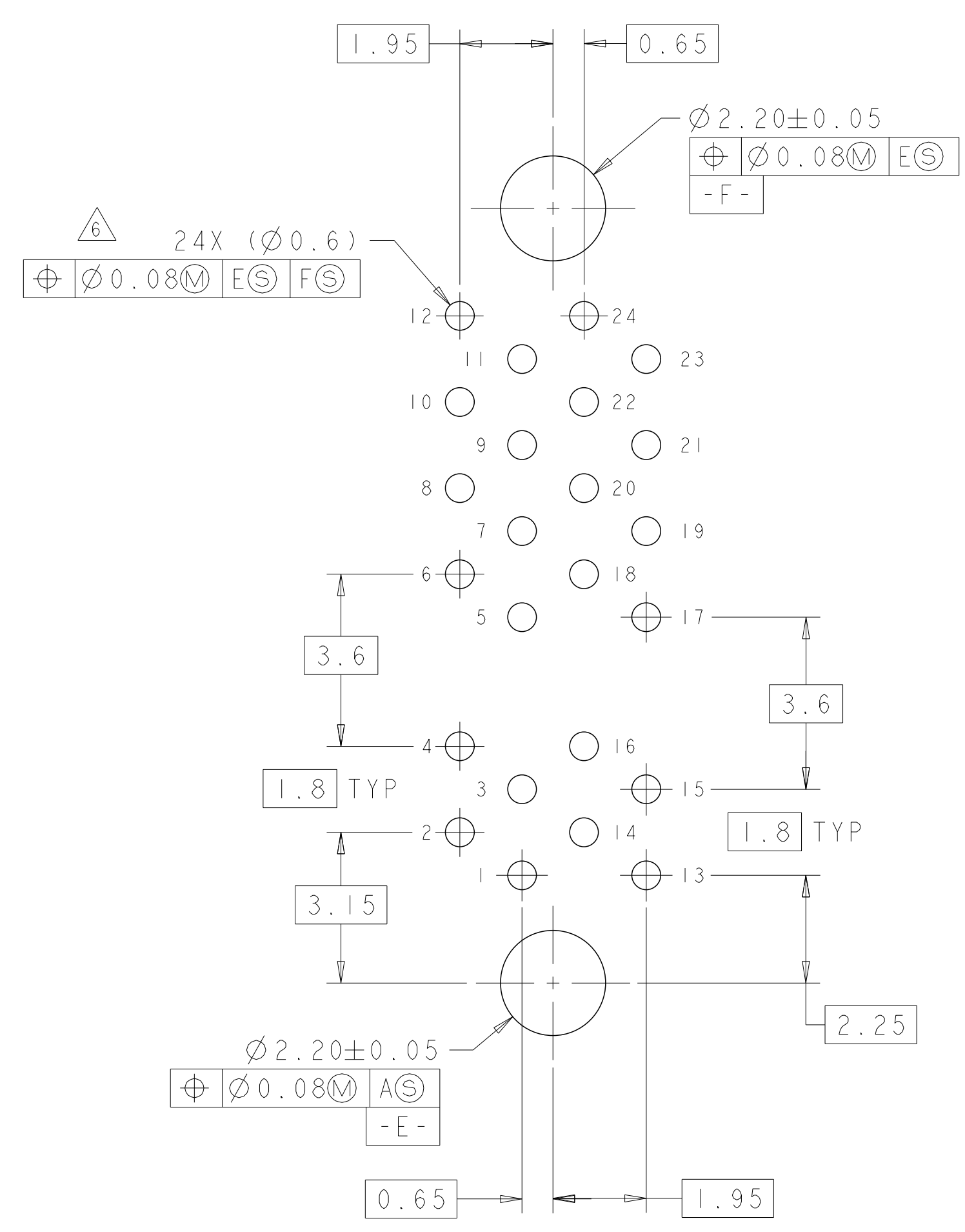
LOC		DST		REVISIONS			
AG	00	P	LTR	DESCRIPTION	DATE	OWN	APVD
		-	-	SEE SHEET 1			



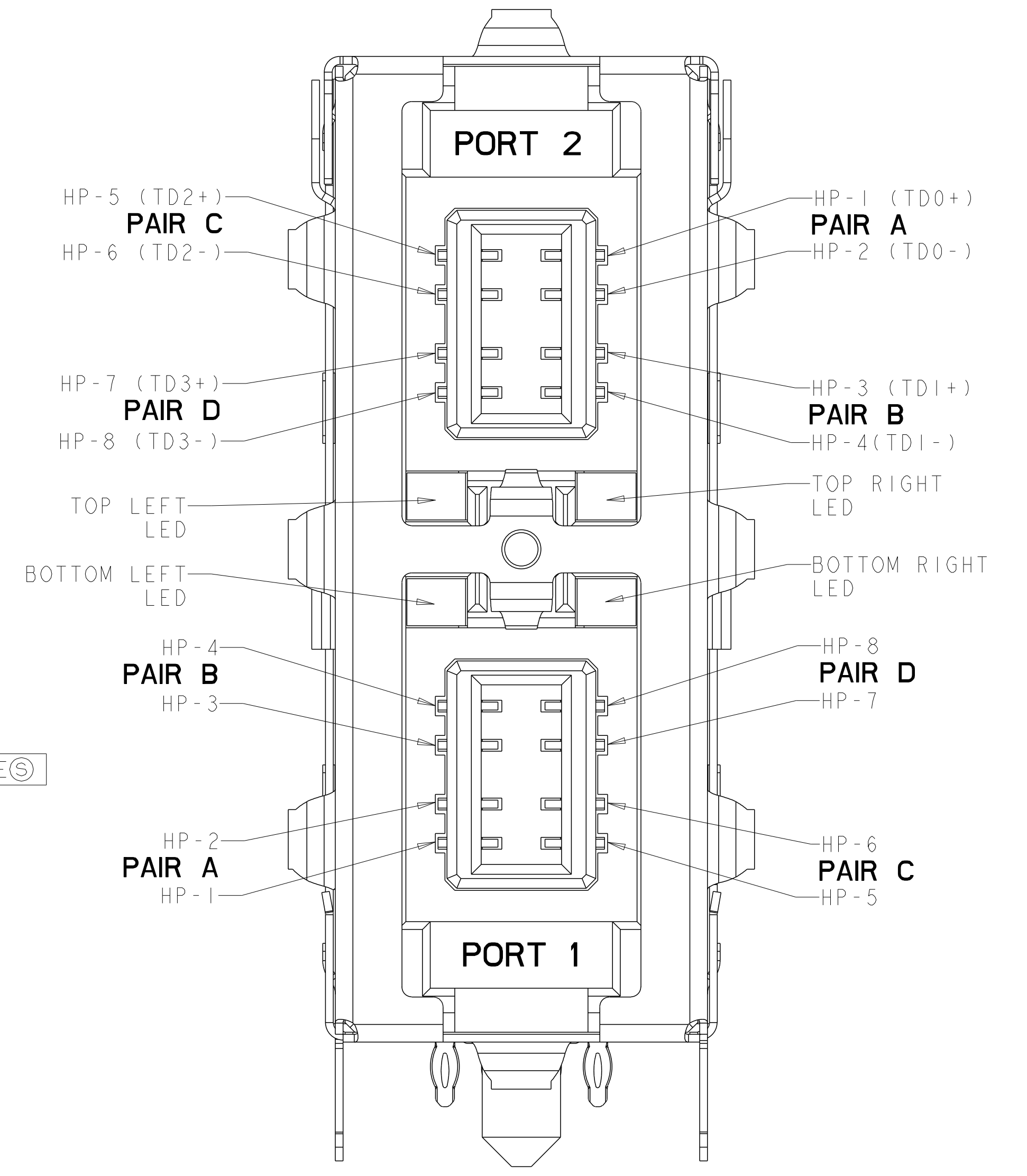
RECOMMENDED PANEL CUTOUT
 SCALE 3:1



RECOMMENDED PCB LAYOUT
 SCALE 5:1



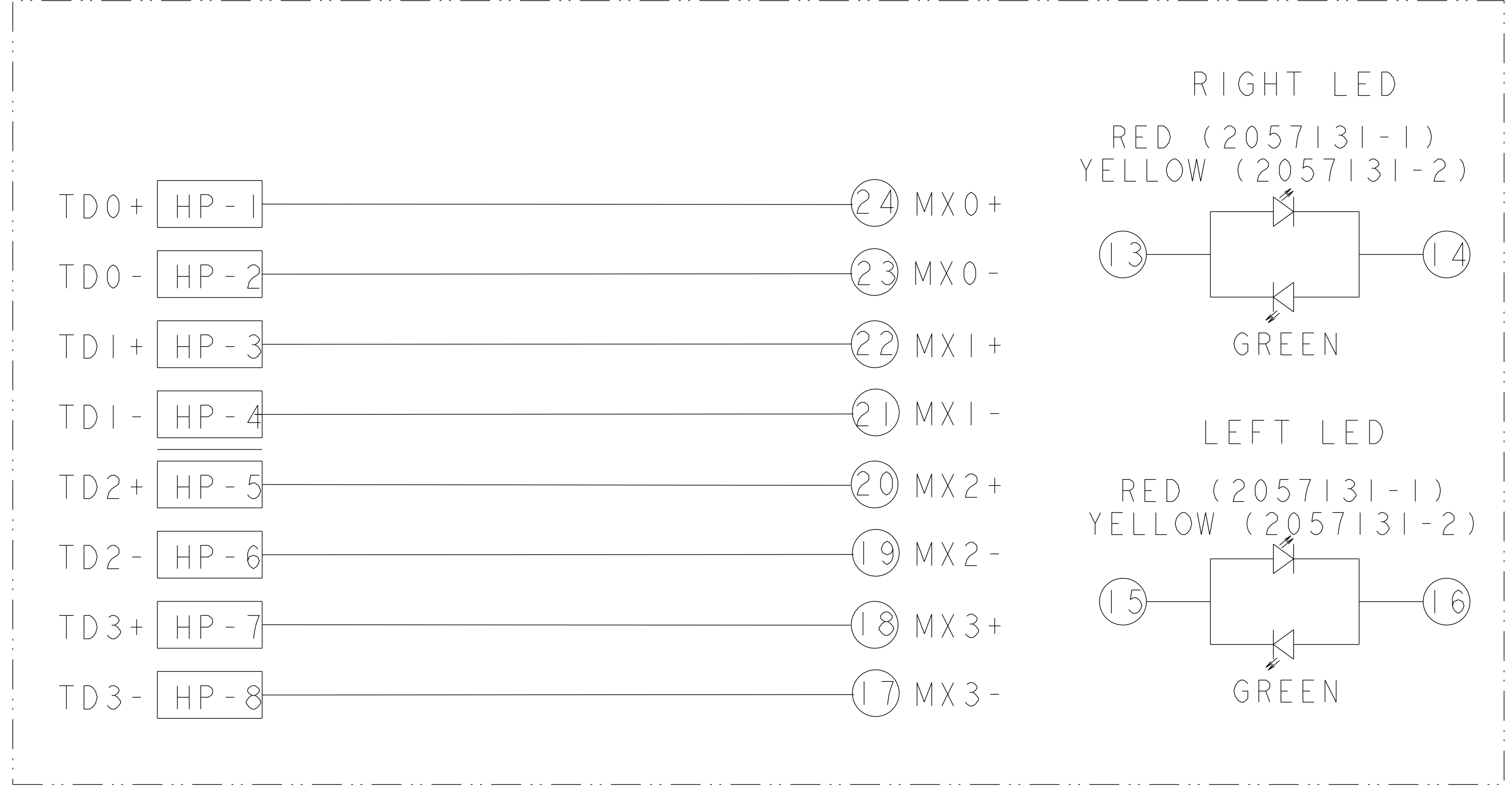
DETAIL G
 BOARD PIN IDENTIFIERS
 SCALE 10:1



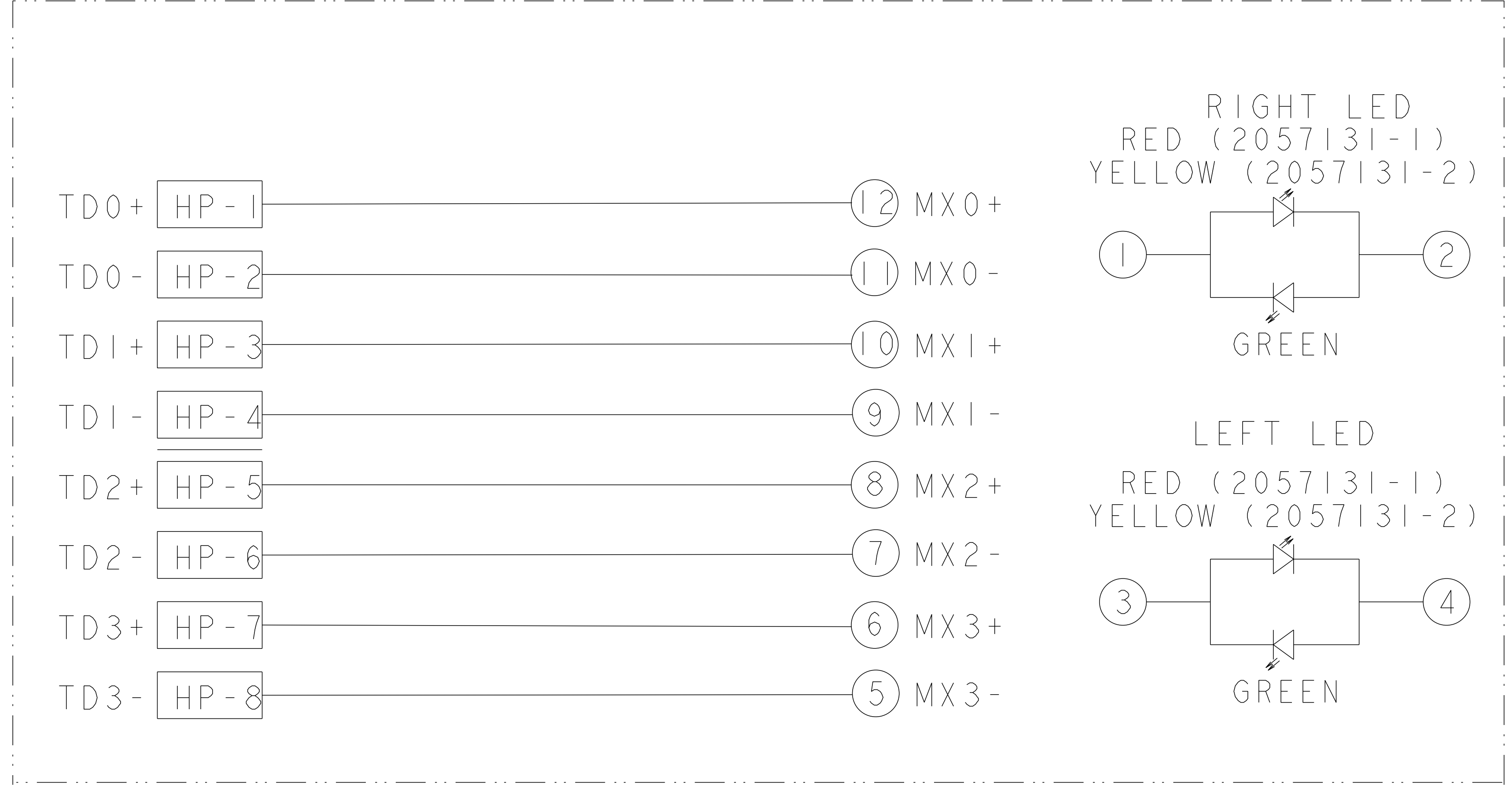
SCALE 10:1

THIS DRAWING IS A CONTROLLED DOCUMENT.		DWN M. SHIRK	04APR2008	TE Connectivity	NAME RECEPTACLE ASSEMBLY, 2X1, NON MAGNETICS, RJ POINT FIVE		
DIMENSIONS:		CHE B. HENRY	04APR2008				
mm		APVD B. HENRY	04APR2008				
0 PLC ±: 1 PLC ±: 2 PLC ±0.25 3 PLC ±: 4 PLC ±: ANGLES ±: FINISH		PRODUCT SPEC	APPLICATION SPEC				
MATERIAL		WEIGHT		SIZE	CAGE CODE	DRAWING NO.	RESTRICTED TO
		CUSTOMER DRAWING		A1	00779	2057131	
				SCALE	4:1	SHEET	2 OF 4
				REV			A

LOC		DIST		REVISIONS				
AG	00	P	LTR	DESCRIPTION	DATE	DWN	APVD	
		-	-	SEE SHEET 1				



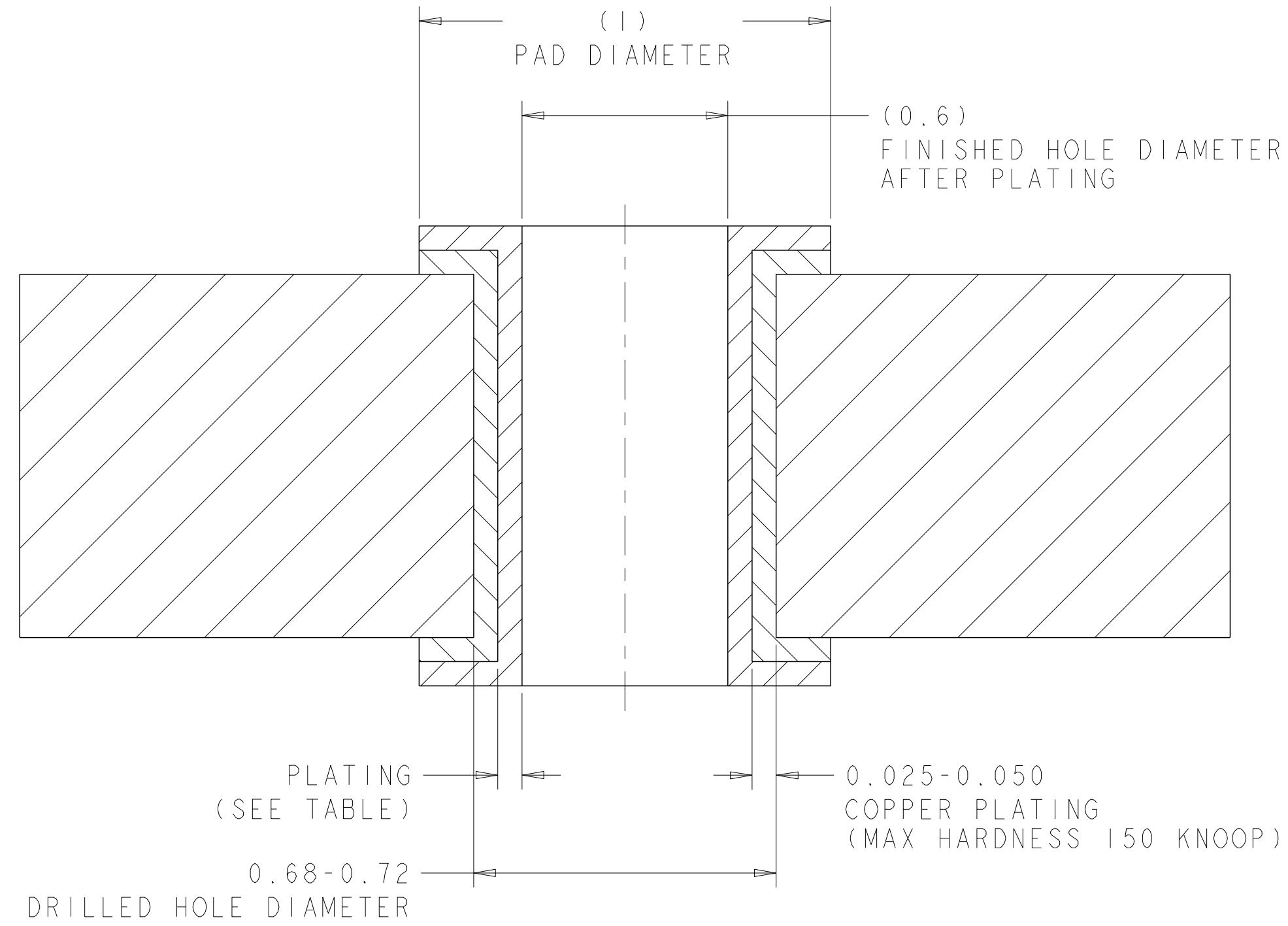
TOP PORT



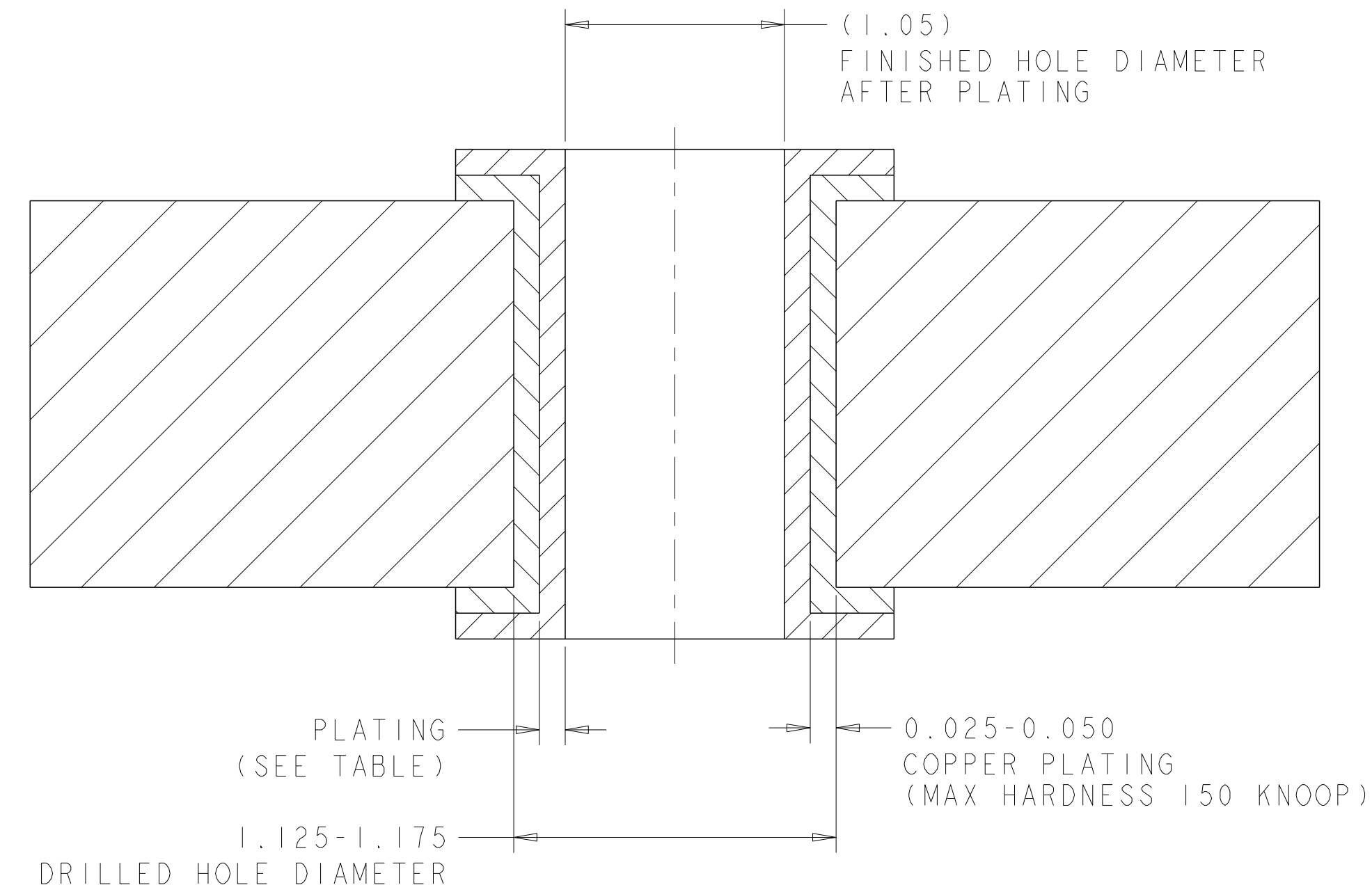
BOTTOM PORT

THIS DRAWING IS A CONTROLLED DOCUMENT.		DWN M. SHIRK 04APR2008	NAME	
DIMENSIONS: mm		CHE B. HENRY 04APR2008	RECEPTACLE ASSEMBLY, 2X1, NON MAGNETICS, RJ POINT FIVE	
TOLERANCES UNLESS OTHERWISE SPECIFIED: 0 PLC ± 1 PLC ± 2 PLC ±0.25 3 PLC ± 4 PLC ± ANGLES ±°		APVD B. HENRY 04APR2008	PRODUCT SPEC	
MATERIAL		APPLICATION SPEC	SIZE	RESTRICTED TO
		WEIGHT	A 100779 ©=2057131	
		CUSTOMER DRAWING	SCALE 4:1	SHEET 3 OF 4 REV A

LOC	DIST	REVISIONS					
AG	00	P	LTR	DESCRIPTION	DATE	DWN	APVD
		-	-	SEE SHEET 1	-	-	-



RECOMMENDED HOLE DIMENSIONS FOR SIGNAL CONTACTS



RECOMMENDED HOLE DIMENSIONS FOR SHIELD PINS

THICKNESS	PLATING
0.004-0.010	HOT AIR SOLDER LEVELING (HASL) TIN-LEAD (Sn Pb)
0.0005-0.001	IMMERSION TIN (Sn)
0.0002-0.0005	ORGANIC SOLDERABILITY PRESERVATIVE (OSP)
0.0001-0.0005 Au, 0.004-0.0076 Ni	IMMERSION GOLD (Au) OVER NICKEL (Ni) (ENIG)
0.010-0.025	TIN LEAD PLATING (Sn Pb)
0.0001-0.00015	IMMERSION SILVER (Ag)

THIS DRAWING IS A CONTROLLED DOCUMENT.		DWN M. SHIRK 04APR2008	TE Connectivity NAME RECEPTACLE ASSEMBLY, 2X1, NON MAGNETICS, RJ POINT FIVE PRODUCT SPEC APPLICATION SPEC
DIMENSIONS: mm		CHE B. HENRY 04APR2008	
TOLERANCES UNLESS OTHERWISE SPECIFIED: 0 PLC ± 1 PLC ± 2 PLC ±0.25 3 PLC ± 4 PLC ± ANGLES ±° FINISH		APVD B. HENRY 04APR2008	
MATERIAL		WEIGHT	SIZE A 100779 ©=2057131
CUSTOMER DRAWING		SCALE 4:1	SHEET 4 OF 4 REV A