

National Semiconductor is now part of
Texas Instruments.

Search <http://www.ti.com/> for the latest technical
information and details on our current products and services.



LM3151/LM3152/LM3153

SIMPLE SWITCHER® CONTROLLER, High Input Voltage Synchronous Step-Down

General Description

The LM3151/2/3 SIMPLE SWITCHER® Controller is an easy to use and simplified step down power controller capable of providing up to 12A of output current in a typical application. Operating with an input voltage range from 6V-42V, the LM3151/2/3 features a fixed output voltage of 3.3V, and features switching frequencies of 250 kHz, 500 kHz, and 750 kHz. The synchronous architecture provides for highly efficient designs. The LM3151/2/3 controller employs a Constant On-Time (COT) architecture with a proprietary Emulated Ripple Mode (ERM) control that allows for the use of low ESR output capacitors, which reduces overall solution size and output voltage ripple. The Constant On-Time (COT) regulation architecture allows for fast transient response and requires no loop compensation, which reduces external component count and reduces design complexity.

Fault protection features such as thermal shutdown, under-voltage lockout, over-voltage protection, short-circuit protection, current limit, and output voltage pre-bias startup allow for a reliable and robust solution.

The LM3151/2/3 SIMPLE SWITCHER® concept provides for an easy to use complete design using a minimum number of external components and National's WEBENCH® online design tool. WEBENCH® provides design support for every step of the design process and includes features such as external component calculation with a new MOSFET selector, electrical simulation, thermal simulation, and Build-It boards for prototyping.

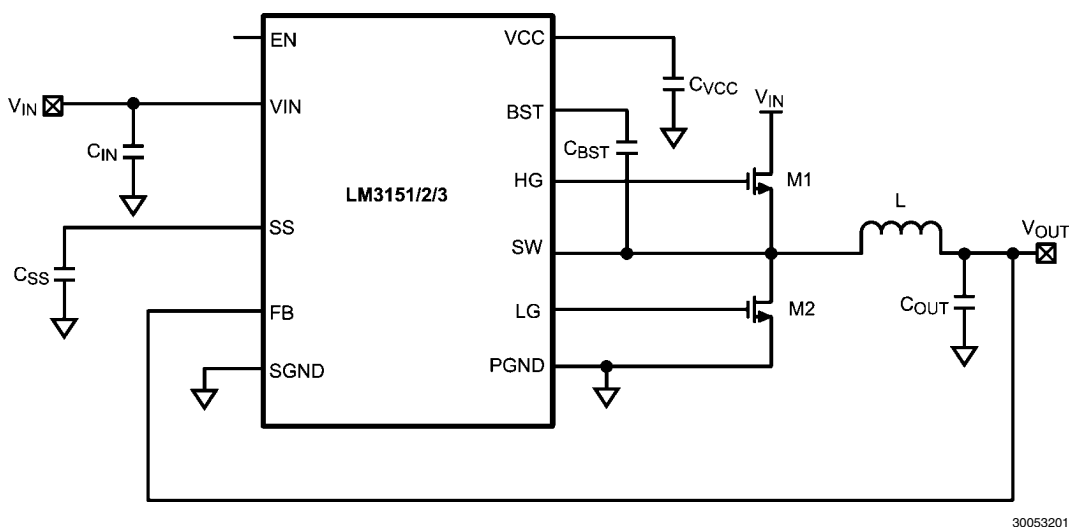
Features

- PowerWise® step-down controller
- 6V to 42V Wide input voltage range
- Fixed output voltage of 3.3V
- Fixed switching frequencies of 250 kHz/500 kHz/750 kHz
- No loop compensation required
- Fully WEBENCH® enabled
- Low external component count
- Constant On-Time control
- Ultra-Fast transient response
- Stable with low ESR capacitors
- Output voltage pre-bias startup
- Valley current limit
- Programmable soft-start

Typical Applications

- Telecom
- Networking Equipment
- Routers
- Security Surveillance
- Power Modules

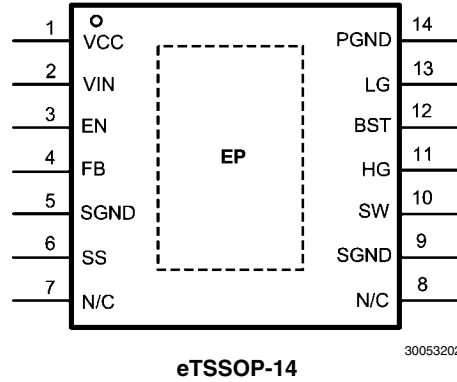
Typical Application



30053201

SIMPLE SWITCHER® is a registered trademark of National Semiconductor Corporation

Connection Diagram



Ordering Information

| Order Number | Package Type | NSC Package Drawing | Input Voltage Range | Output Voltage | Switching Frequency | Supplied As |
|---------------|--------------|---------------------|---------------------|----------------|---------------------|-------------------------------|
| LM3151MH-3.3 | eTSSOP-14 | MXA14A | 6V - 42V | 3.3V | 250KHz | 94 Units per Anti-Static Tube |
| LM3151MHE-3.3 | | | | | | 250 Units in Tape and Reel |
| LM3151MHX-3.3 | | | | | | 2500 Units in Tape and Reel |
| LM3152MH-3.3 | eTSSOP-14 | MXA14A | 6V - 33V | 3.3V | 500KHz | 94 Units per Anti-Static Tube |
| LM3152MHE-3.3 | | | | | | 250 Units in Tape and Reel |
| LM3152MHX-3.3 | | | | | | 2500 Units in Tape and Reel |
| LM3153MH-3.3 | eTSSOP-14 | MXA14A | 8V - 18V | 3.3V | 750KHz | 94 Units per Anti-Static Tube |
| LM3153MHE-3.3 | | | | | | 250 Units in Tape and Reel |
| LM3153MHX-3.3 | | | | | | 2500 Units in Tape and Reel |

Pin Descriptions

| Pin | Name | Description | Function |
|-----|------|------------------------------------|---|
| 1 | VCC | Supply Voltage for FET Drivers | Nominally regulated to 5.95V. Connect a 1 μ F to 2.2 μ F decoupling capacitor from this pin to ground. |
| 2 | VIN | Input Supply Voltage | Supply pin to the device. Nominal input range is 6V to 42V. See ordering information for Vin limitations. |
| 3 | EN | Enable | To enable the IC apply a logic high signal to this pin greater than 1.26V typical or leave floating. To disable the part, ground the EN pin. |
| 4 | FB | Feedback | Internally connected to the resistor divider network which sets the fixed output voltage. This pin also senses the output voltage faults such as over-voltage and short circuit conditions. |
| 5,9 | SGND | Signal Ground | Ground for all internal bias and reference circuitry. Should be connected to PGND at a single point. |
| 6 | SS | Soft-Start | An internal 7.7 μ A current source charges an external capacitor to provide the soft-start function. |
| 7,8 | N/C | Not Connected | Internally not electrically connected. These pins may be left unconnected or connected to ground. |
| 10 | SW | Switch Node | Switch pin of controller and high-gate driver lower supply rail. A boost capacitor is also connected between this pin and BST pin |
| 11 | HG | High-Side Gate Drive | Gate drive signal to the high-side NMOS switch. The high-side gate driver voltage is supplied by the differential voltage between the BST pin and SW pin. |
| 12 | BST | Connection for Bootstrap Capacitor | High-gate driver upper supply rail. Connect a 0.33 μ F-0.47 μ F capacitor from SW pin to this pin. An internal diode charges the capacitor during the high-side switch off-time. Do not connect to an external supply rail. |
| 13 | LG | Low-Side Gate Drive | Gate drive signal to the low-side NMOS switch. The low-side gate driver voltage is supplied by VCC. |
| 14 | PGND | Power Ground | Synchronous rectifier MOSFET source connection. Tie to power ground plane. Should be tied to SGND at a single point. |
| EP | EP | Exposed Pad | Exposed die attach pad should be connected directly to SGND. Also used to help dissipate heat out of the IC. |

Absolute Maximum Ratings (Note 1)

If Military/Aerospace specified devices are required, please contact the National Semiconductor Sales Office/Distributors for availability and specifications.

| | |
|---------------------------|-----------------|
| V _{IN} to GND | -0.3V to 47V |
| SW to GND | -3V to 47V |
| BST to SW | -0.3V to 7V |
| BST to GND | -0.3V to 52V |
| All Other Inputs to GND | -0.3V to 7V |
| ESD Rating (Note 2) | 2kV |
| Storage Temperature Range | -65°C to +150°C |

Operating Ratings (Note 1)

| | |
|--|-----------------|
| V _{IN} | 6V to 42V |
| Junction Temperature Range (T _J) | -40°C to +125°C |
| EN | 0V to 5V |

Electrical Characteristics Limits in standard type are for T_J = 25°C only; limits in **boldface type** apply over the junction temperature (T_J) range of -40°C to +125°C. Minimum and Maximum limits are guaranteed through test, design, or statistical correlation. Typical values represent the most likely parametric norm at T_J = 25°C, and are provided for reference purposes only. Unless otherwise stated the following conditions apply: V_{IN} = 18V.

| Symbol | Parameter | Conditions | Min | Typ | Max | Units |
|-----------------------------------|--|--|-------------|------|-------------|-------|
| Start-Up Regulator, VCC | | | | | | |
| V _{CC} | | C _{VCC} = 1 μF, 0 mA to 40 mA | 5.65 | 5.95 | 6.25 | V |
| V _{IN} - V _{CC} | V _{IN} - V _{CC} Dropout Voltage | I _{VCC} = 2 mA, V _{in} = 5.5V | | 40 | | mV |
| | | I _{VCC} = 30 mA, V _{in} = 5.5V | | 330 | | mV |
| I _{VCCCL} | V _{CC} Current Limit (Note 3) | V _{CC} = 0V | 65 | 100 | | mA |
| V _{CCUVLO} | V _{CC} Under-voltage Lockout threshold (UVLO) | V _{CC} Increasing | 4.75 | 5.1 | 5.40 | V |
| V _{CC-UVLO-HYS} | V _{CC} UVLO Hysteresis | V _{CC} Decreasing | | 475 | | mV |
| t _{CC-UVLO-D} | V _{CC} UVLO Filter Delay | | | 3 | | μs |
| I _{IN} | Input Operating Current | No Switching | | 3.6 | 5.2 | mA |
| I _{IN-SD} | Input Operating Current, Device Shutdown | V _{EN} = 0V | | 32 | 55 | μA |
| GATE Drive | | | | | | |
| I _{Q-BST} | Boost Pin Leakage | V _{BST} - V _{SW} = 6V | | 2 | | nA |
| R _{DS-HG-Pull-Up} | HG Drive Pull-Up On-Resistance | I _{HG} Source = 200 mA | | 5 | | Ω |
| R _{DS-HG-Pull-Down} | HG Drive Pull-Down On-Resistance | I _{HG} Sink = 200 mA | | 3.4 | | Ω |
| R _{DS-LG-Pull-Up} | LG Drive Pull-Up On-Resistance | I _{LG} Source = 200 mA | | 3.4 | | Ω |
| R _{DS-LG-Pull-Down} | LG Drive Pull-Down On-Resistance | I _{LG} Sink = 200 mA | | 2 | | Ω |
| Soft-Start | | | | | | |
| I _{SS} | SS Pin Source Current | V _{SS} = 0V | 5.9 | 7.7 | 9.5 | mA |
| I _{SS-DIS} | SS Pin Discharge Current | | | 200 | | μA |
| Current Limit | | | | | | |
| V _{CL} | Current Limit Voltage Threshold | | 175 | 200 | 225 | mV |
| ON/OFF Timer | | | | | | |
| t _{ON-MIN} | ON Timer Minimum Pulse Width | | | 200 | | ns |
| t _{OFF} | OFF Timer Minimum Pulse Width | | | 370 | 525 | ns |
| Enable Input | | | | | | |
| V _{EN} | EN Pin Input Threshold Trip Point | V _{EN} Rising | 1.14 | 1.20 | 1.26 | V |
| V _{EN-HYS} | EN Pin threshold Hysteresis | V _{EN} Falling | | 120 | | mV |

| Symbol | Parameter | Conditions | Min | Typ | Max | Units |
|--------------------------------|-----------------------------|--|-----|-----|-----|-------|
| Boost Diode | | | | | | |
| V_f | Forward Voltage | $I_{BST} = 2 \text{ mA}$ | | 0.7 | | V |
| | | $I_{BST} = 30 \text{ mA}$ | | 1 | | V |
| Thermal Characteristics | | | | | | |
| T_{SD} | Thermal Shutdown | Rising | | 165 | | °C |
| | Thermal Shutdown Hysteresis | Falling | | 15 | | °C |
| θ_{JA} | Junction to Ambient | 4 Layer JEDEC Printed Circuit Board, 9 Vias, No Air Flow | | 40 | | °C/W |
| | | 2 Layer JEDEC Printed Circuit Board. No Air Flow | | 140 | | |
| θ_{JC} | Junction to Case | No Air Flow | | 4 | | °C/W |

3.3V Output Option

| Symbol | Parameter | Conditions | Min | Typ | Max | Units |
|--------------|---------------------------------------|--|--------------|------|--------------|------------|
| V_{OUT} | Output Voltage | | 3.234 | 3.3 | 3.366 | V |
| V_{OUT-OV} | Output Voltage Over-Voltage Threshold | | 3.83 | 4.00 | 4.17 | V |
| V_{IN-MAX} | Maximum Input Voltage (Note 4) | LM3151-3.3 | | 42 | | V |
| | | LM3152-3.3 | | 33 | | |
| | | LM3153-3.3 | | 18 | | |
| V_{IN-MIN} | Minimum Input Voltage (Note 4) | LM3151-3.3 | | 6 | | V |
| | | LM3152-3.3 | | 6 | | |
| | | LM3153-3.3 | | 8 | | |
| f_S | Switching Frequency | LM3151-3.3, $R_{ON} = 115 \text{ k}\Omega$ | | 250 | | kHz |
| | | LM3152-3.3, $R_{ON} = 51 \text{ k}\Omega$ | | 500 | | |
| | | LM3153-3.3, $R_{ON} = 32 \text{ k}\Omega$ | | 750 | | |
| t_{ON} | On-Time | LM3151-3.3, $R_{ON} = 115 \text{ k}\Omega$ | | 730 | | ns |
| | | LM3152-3.3, $R_{ON} = 51 \text{ k}\Omega$ | | 400 | | |
| | | LM3153-3.3, $R_{ON} = 32 \text{ k}\Omega$ | | 330 | | |
| R_{FB} | FB Resistance to Ground | | | 566 | | k Ω |

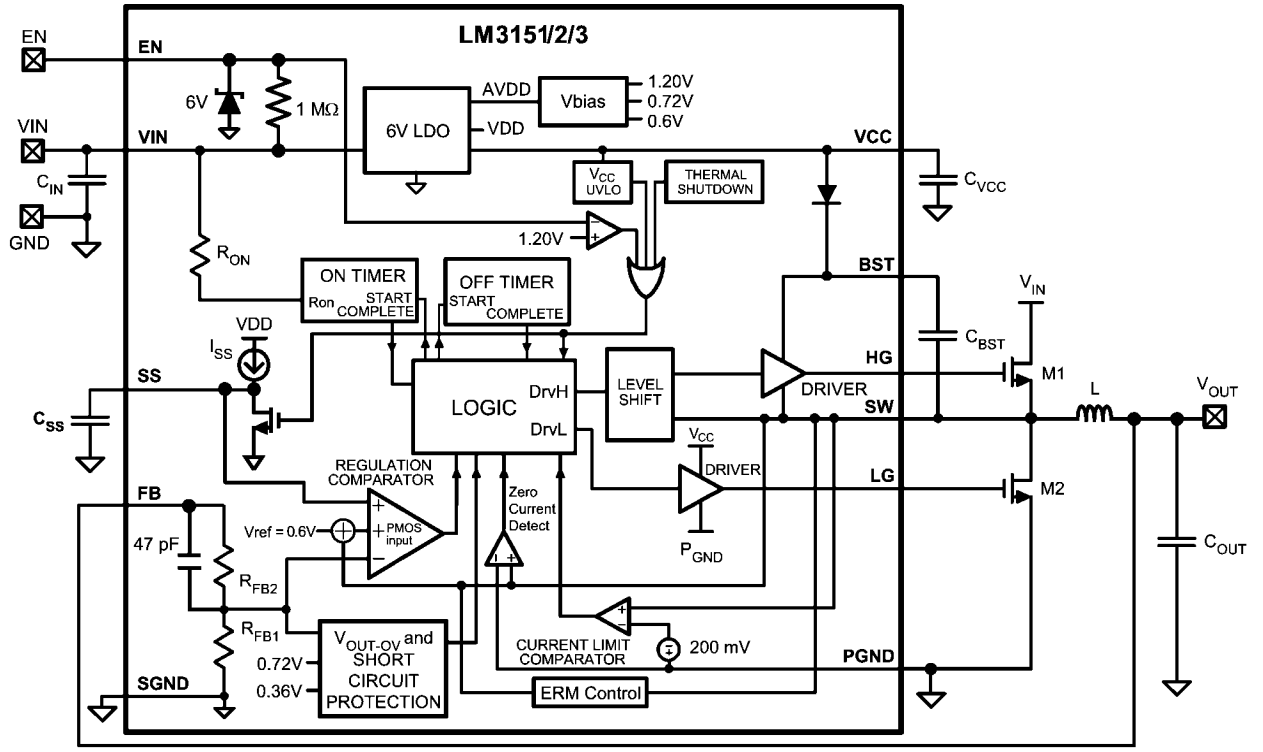
Note 1: Absolute Maximum Ratings indicate limits beyond which damage to the device may occur. Operating Ratings indicate conditions for which the device is intended to be functional, but does not guarantee specific performance limits. For guaranteed specifications and conditions, see the Electrical Characteristics.

Note 2: The human body model is a 100 pF capacitor discharged through a 1.5 k Ω resistor into each pin. Test Method is per JESD-22-A114.

Note 3: VCC provides self bias for the internal gate drive and control circuits. Device thermal limitations limit external loading.

Note 4: The input voltage range is dependent on minimum on-time, off-time, and therefore frequency, and is also affected by optimized MOSFET selection.

Simplified Block Diagram

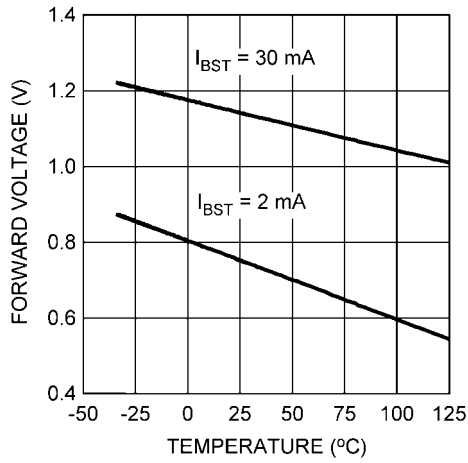


$$R_{FB} = R_{FB1} + R_{FB2}$$

30053203

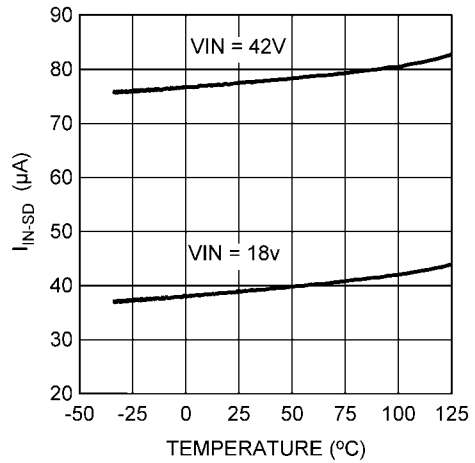
Typical Performance Characteristics

Boost Diode Forward Voltage vs. Temperature



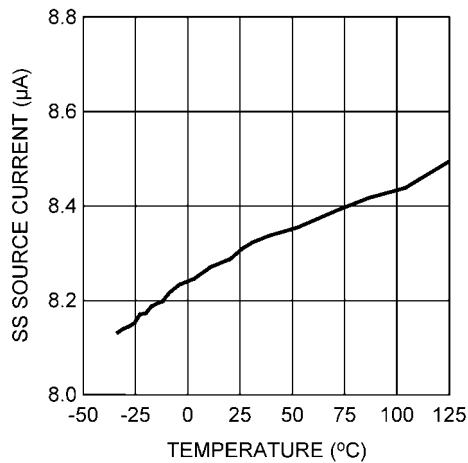
30053240

Quiescent Current vs. Temperature



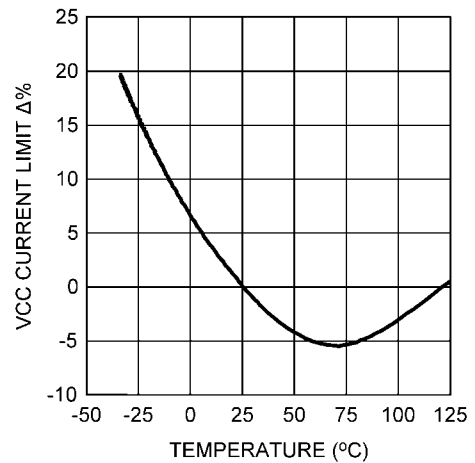
30053242

Soft-Start Current vs. Temperature



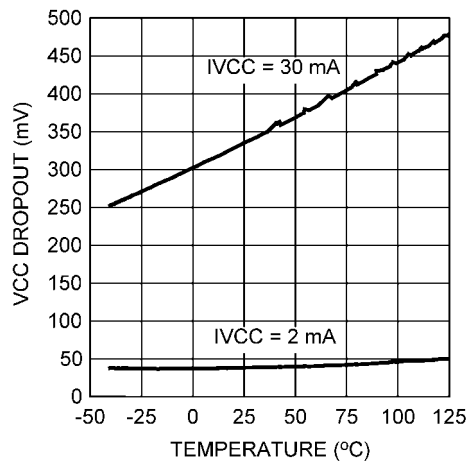
30053243

VCC Current Limit vs. Temperature



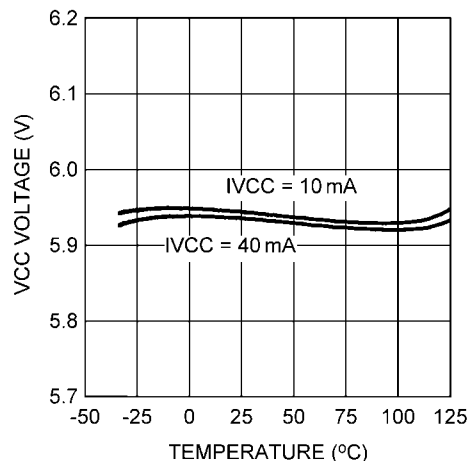
30053247

VCC Dropout vs. Temperature



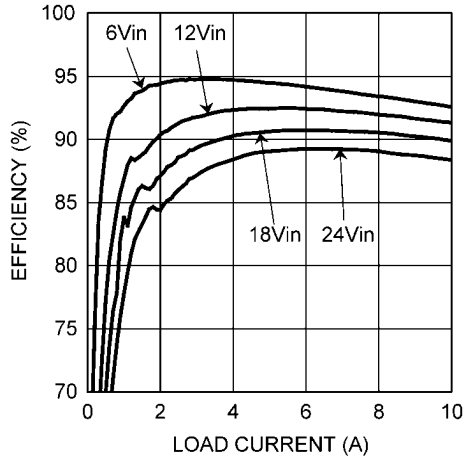
30053248

VCC vs. Temperature



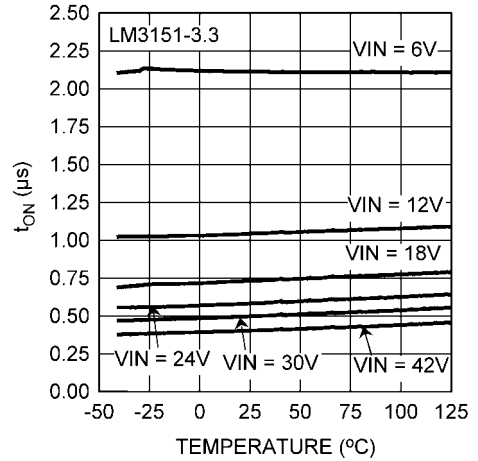
30053249

VCL vs. Temperature



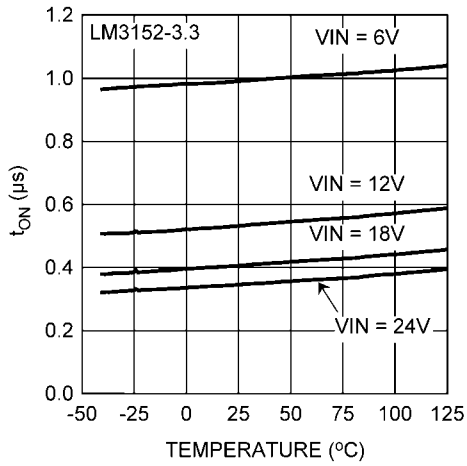
30053282

On-Time vs. Temperature (250 kHz)



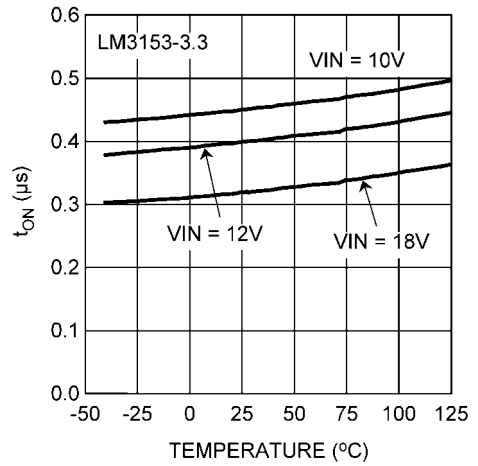
30053283

On-Time vs. Temperature (500 kHz)



30053284

On-Time vs. Temperature (750 kHz)



30053286

Theory of Operation

The LM3151/2/3 synchronous step-down SIMPLE SWITCHER® Controller employs a Constant On-Time (COT) architecture which is a derivative of the hysteretic control scheme. COT relies on a fixed switch on-time to regulate the output. The on-time of the high-side switch is set internally by resistor R_{ON} . The LM3151/2/3 automatically adjusts the on-time inversely with the input voltage to maintain a constant frequency. Assuming an ideal system and V_{IN} is much greater than 1V, the following approximations can be made:

The on-time, t_{ON} :

$$t_{ON} = \frac{K \times R_{ON}}{V_{IN}}$$

Where $K = 100 \text{ pC}$, and R_{ON} is specified in the electrical characteristics table.

Control is based on a comparator and the on-timer, with the output voltage feedback (FB) attenuated and then compared with an internal reference of 0.6V. If the attenuated FB level is below the reference, the high-side switch is turned on for a fixed time, t_{ON} , which is determined by the input voltage and the internal resistor, R_{ON} . Following this on-time, the switch remains off for a minimum off-time, t_{OFF} , as specified in the Electrical Characteristics table or until the attenuated FB voltage is less than 0.6V. This switching cycle will continue while maintaining regulation. During continuous conduction mode (CCM), the switching frequency depends only on duty cycle and on-time. The duty cycle can be calculated as:

$$D = \frac{t_{ON}}{t_{ON} + t_{OFF}} = t_{ON} \times f_s \approx \frac{V_{OUT}}{V_{IN}}$$

Where the switching frequency of a COT regulator is:

$$f_s = \frac{V_{OUT}}{K \times R_{ON}}$$

Typical COT hysteretic controllers need a significant amount of output capacitor ESR to maintain a minimum amount of ripple at the FB pin in order to switch properly and maintain efficient regulation. The LM3151/2/3 however utilizes proprietary, Emulated Ripple Mode Control Scheme (ERM) that allows the use of ceramic output capacitors without additional equivalent series resistance (ESR) compensation. Not only does this reduce the need for output capacitor ESR, but also significantly reduces the amount of output voltage ripple seen in a typical hysteretic control scheme. The output ripple voltage can become so low that it is comparable to voltage-mode and current-mode control schemes.

Regulation Comparator

The output voltage is sampled through the FB pin and then divided down by two internal resistors and compared to the internal reference voltage of 0.6V by the error comparator. In normal operation, an on-time period is initiated when the sampled output voltage at the input of the error comparator falls below 0.6V. The high-side switch stays on for the specified on-time, causing the sampled voltage on the error comparator input to rise above 0.6V. After the on-time period, the high-side switch stays off for the greater of the following:

- 1) Minimum off time as specified in the electrical characteristics table
- 2) The error comparator sampled voltage falls below 0.6V

Over-Voltage Comparator

The over-voltage comparator is provided to protect the output from over-voltage conditions due to sudden input line voltage changes or output loading changes. The over-voltage comparator continuously monitors the attenuated FB voltage versus a 0.72V internal reference. If the voltage at FB rises above 0.72V the on-time pulse is immediately terminated. This condition can occur if the input or the output load changes suddenly. Once the over-voltage protection is activated, the HG and LG signals remain off until the attenuated FB voltage falls below 0.72V.

Current Limit

Current limit detection occurs during the off-time by monitoring the current through the low-side switch. If during the off-time the current in the low-side switch exceeds the user defined current limit value, the next on-time cycle is immediately terminated. Current sensing is achieved by comparing the voltage across the low-side switch against an internal reference value, V_{CL} , of 200 mV. If the voltage across the low-side switch exceeds 200 mV, the current limit comparator will trigger logic to terminate the next on-time cycle. The current limit I_{CL} can be determined as follows:

$$V_{CL}(T_j) = V_{CL} \times [1 + 3.3 \times 10^{-3} \times (T_j - 27)]$$

$$I_{CL}(T_j) = \frac{V_{CL}(T_j)}{R_{DS(ON)max}}$$

Where I_{OCL} is the user-defined average output current limit value, $R_{DS(ON)max}$ is the resistance value of the low-side FET at the expected maximum FET junction temperature, V_{CL} is the internal current limit reference voltage and T_j is the junction temperature of the LM3151/2/3.

Figure 1 illustrates the inductor current waveform. During normal operation, the output current ripple is dictated by the switching of the FETs. The current through the low-side switch, I_{valley} , is sampled at the end of each switching cycle and compared to the current limit threshold voltage, V_{CL} . The valley current can be calculated as follows:

$$I_{valley} = I_{OUT} - \frac{\Delta I_L}{2}$$

Where I_{OUT} is the average output current and ΔI_L is the peak-to-peak inductor ripple current.

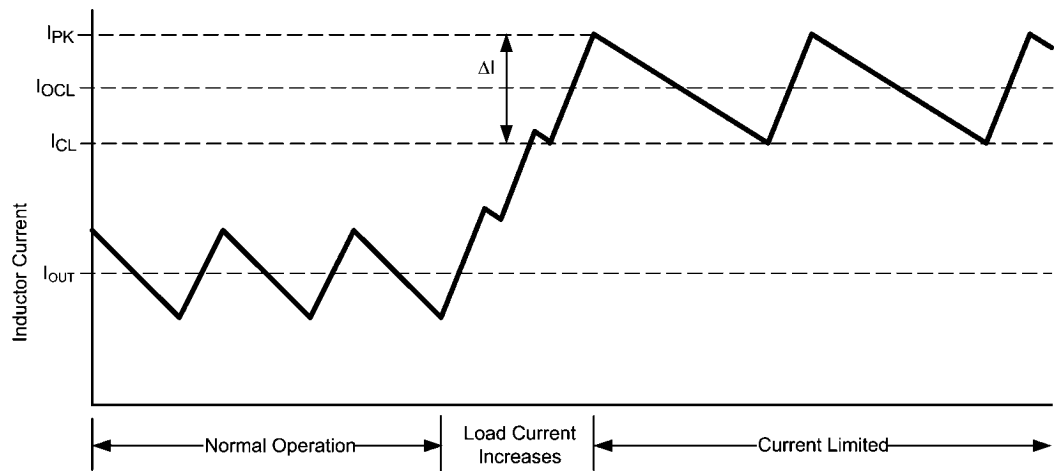
If an overload condition occurs, the current through the low-side switch will increase which will cause the current limit comparator to trigger the logic to skip the next on-time cycle. The IC will then try to recover by checking the valley current during each off-time. If the valley current is greater than or equal to I_{CL} , then the IC will keep the low-side FET on and allow the inductor current to further decay.

Throughout the whole process, regardless of the load current, the on-time of the controller will stay constant and thereby the positive ripple current slope will remain constant. During each on-time the current ramps up an amount equal to:

$$\Delta I = \frac{(V_{IN} - V_{OUT}) \times t_{ON}}{L}$$

the inductor current is forced to decay following any overload conditions.

The valley current limit feature prevents current runaway conditions due to propagation delays or inductor saturation since



30053212

FIGURE 1. Inductor Current - Current Limit Operation

Short-Circuit Protection

The LM3151/2/3 will sense a short-circuit on the output by monitoring the output voltage. When the attenuated feedback voltage has fallen below 60% of the reference voltage, $V_{ref} \times 0.6$ ($\approx 0.36V$), short-circuit mode of operation will start. During short-circuit operation, the SS pin is discharged and the output voltage will fall to 0V. The SS pin voltage, V_{SS} , is then ramped back up at the rate determined by the SS capacitor and I_{SS} until V_{SS} reaches 0.7V. During this re-ramp phase, if the short-circuit fault is still present the output current will be equal to the set current limit. Once the soft-start voltage reaches 0.7V the output voltage is sensed again and if the attenuated V_{FB} is still below $V_{ref} \times 0.6$ then the SS pin is discharged again and the cycle repeats until the short-circuit fault is removed.

Soft-Start

The soft-start (SS) feature allows the regulator to gradually reach a steady-state operating point, which reduces start-up stresses and current surges. At turn-on, while VCC is below the under-voltage threshold, the SS pin is internally grounded and V_{OUT} is held at 0V. The SS capacitor is used to slowly ramp V_{FB} from 0V to its final output voltage as programmed by the internal resistor divider. By changing the soft-start capacitor value, the duration of start-up can be changed accordingly. The start-up time can be calculated using the following equation:

$$t_{SS} = \frac{V_{ref} \times C_{SS}}{I_{SS}}$$

Where t_{SS} is measured in seconds, $V_{ref} = 0.6V$ and I_{SS} is the soft-start pin source current, which is typically $7.7 \mu A$ (refer to electrical characteristics table).

An internal switch grounds the SS pin if VCC is below the under-voltage lockout threshold, if a thermal shutdown occurs, or if the EN pin is grounded. By using an externally controlled switch, the output voltage can be shut off by grounding the SS pin.

During startup the LM3151/2/3 will operate in diode emulation mode, where the low-side gate LG will turn off and remain off when the inductor current falls to zero. Diode emulation mode allows for start up into a pre-biased output voltage. When soft-start is greater than 0.7V, the LM3151/2/3 will remain in continuous conduction mode. During diode emulation mode at current limit the low-gate will remain off when the inductor current is off.

The soft start time should be greater than the rise time specified by,

$$t_{SS} \geq (V_{OUT} \times C_{OUT}) / (I_{OCL} - I_{OUT})$$

Enable/Shutdown

The EN pin can be activated by either leaving the pin floating due to an internal pull up resistor to VIN or by applying a logic high signal to the EN pin of 1.26V or greater. The LM3151/2/3 can be remotely shut down by taking the EN pin below 1.02V. Low quiescent shutdown is achieved when V_{EN} is less than 0.4V. During low quiescent shutdown the internal bias circuitry is turned off.

The LM3151/2/3 has certain fault conditions that can trigger shutdown, such as over-voltage protection, current limit, under-voltage lockout, or thermal shutdown. During shutdown, the soft-start capacitor is discharged. Once the fault condition is removed, the soft-start capacitor begins charging, allowing the part to start up in a controlled fashion. In conditions where there may be an open drain connection to the EN pin, it may be necessary to add a 1000 pF bypass capacitor to this pin. This will help decouple noise from the EN pin and prevent false disabling.

Thermal Protection

The LM3151/2/3 should be operated such that the junction temperature does not exceed the maximum operating junction temperature. An internal thermal shutdown circuit, which activates at 165°C (typical), takes the controller to a low-power reset state by disabling the buck switch and the on-timer, and grounding the SS pin. This feature helps prevent catastrophic failures from accidental device overheating. When the junction temperature falls back below 150°C the SS pin is released and normal operation resumes.

Design Guide

The design guide provides the equations required to design with the LM3151/2/3 SIMPLE SWITCHER® Controller. WEBENCH® design tool can be used with or in place of this section for a more complete and simplified design process.

1. Define Power Supply Operating Conditions

- a. Maximum and Minimum DC Input voltage
- b. Maximum Expected Load Current during normal operation

c. Target Switching Frequency

2. Determine which IC Controller to Use

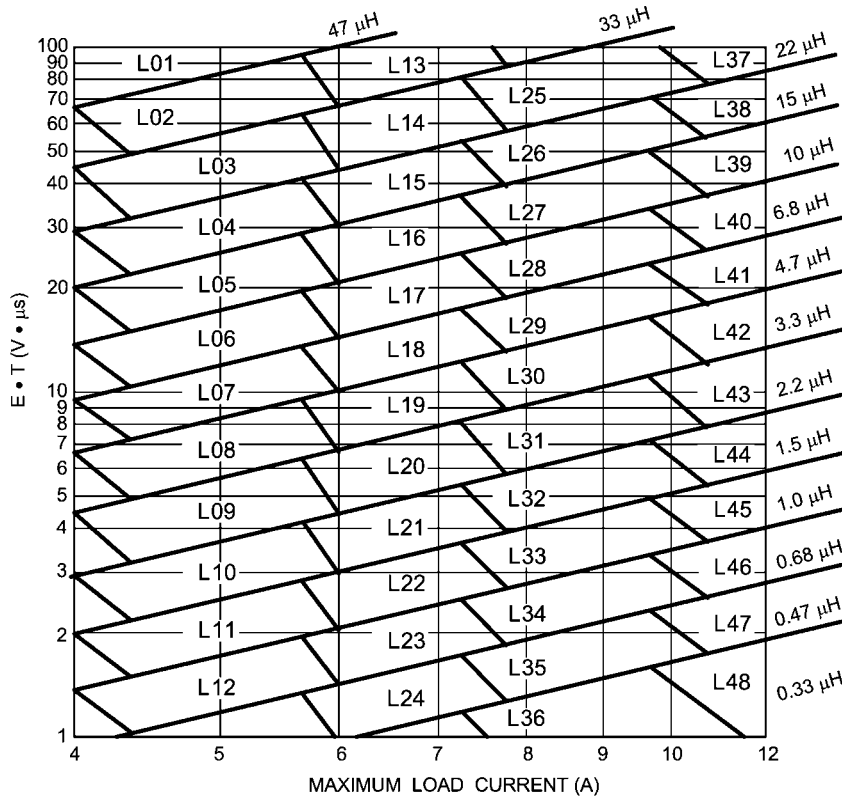
The desired input voltage range will determine which version of the LM3151/2/3 controller will be chosen. The higher switching frequency options allow for physically smaller inductors but efficiency may decrease.

3. Determine Inductor Required Using Figure 2

To use the nomograph below calculate the inductor volt-microsecond constant ET from the following formula:

$$ET = (V_{inmax} - V_{OUT}) \times \frac{V_{OUT}}{V_{inmax}} \times \frac{1000}{f_s} \text{ (V} \times \mu\text{s)}$$

Where f_s is in kHz units. The intersection of the Load Current and the Volt-microseconds lines on the chart below will determine which inductors are capable for use in the design. The chart shows a sample of parts that can be used. The offline calculator tools and WEBENCH® will fully calculate the requirements for the components needed for the design.



30053252

FIGURE 2. Inductor Nomograph

TABLE 1. Inductor Selection Table

| Inductor Designator | Inductance (μH) | Current (A) | Part Name | Vendor |
|---------------------|------------------------------|-------------|-------------------|-----------|
| L01 | 47 | 7-9 | | |
| L02 | 33 | 7-9 | SER2817H-333KL | COILCRAFT |
| L03 | 22 | 7-9 | SER2814H-223KL | COILCRAFT |
| L04 | 15 | 7-9 | 7447709150 | WURTH |
| L05 | 10 | 7-9 | RLF12560T-100M7R5 | TDK |
| L06 | 6.8 | 7-9 | B82477-G4682-M | EPCOS |
| L07 | 4.7 | 7-9 | B82477-G4472-M | EPCOS |
| L08 | 3.3 | 7-9 | DR1050-3R3-R | COOPER |
| L09 | 2.2 | 7-9 | MSS1048-222 | COILCRAFT |
| L10 | 1.5 | 7-9 | SRU1048-1R5Y | BOURNS |
| L11 | 1 | 7-9 | DO3316P-102 | COILCRAFT |
| L12 | 0.68 | 7-9 | DO3316H-681 | COILCRAFT |
| L13 | 33 | 9-12 | | |
| L14 | 22 | 9-12 | SER2918H-223 | COILCRAFT |
| L15 | 15 | 9-12 | SER2814H-153KL | COILCRAFT |
| L16 | 10 | 9-12 | 7447709100 | WURTH |
| L17 | 6.8 | 9-12 | SPT50H-652 | COILCRAFT |
| L18 | 4.7 | 9-12 | SER1360-472 | COILCRAFT |
| L19 | 3.3 | 9-12 | MSS1260-332 | COILCRAFT |
| L20 | 2.2 | 9-12 | DR1050-2R2-R | COOPER |
| L21 | 1.5 | 9-12 | DR1050-1R5-R | COOPER |
| L22 | 1 | 9-12 | DO3316H-102 | COILCRAFT |
| L23 | 0.68 | 9-12 | | |
| L24 | 0.47 | 9-12 | | |
| L25 | 22 | 12-15 | SER2817H-223KL | COILCRAFT |
| L26 | 15 | 12-15 | | |
| L27 | 10 | 12-15 | SER2814L-103KL | COILCRAFT |
| L28 | 6.8 | 12-15 | 7447709006 | WURTH |
| L29 | 4.7 | 12-15 | 7447709004 | WURTH |
| L30 | 3.3 | 12-15 | | |
| L31 | 2.2 | 12-15 | | |
| L32 | 1.5 | 12-15 | MLC1245-152 | COILCRAFT |
| L33 | 1 | 12-15 | | |
| L34 | 0.68 | 12-15 | DO3316H-681 | COILCRAFT |
| L35 | 0.47 | 12-15 | | |
| L36 | 0.33 | 12-15 | DR73-R33-R | COOPER |
| L37 | 22 | 15- | | |
| L38 | 15 | 15- | SER2817H-153KL | COILCRAFT |
| L39 | 10 | 15- | SER2814H-103KL | COILCRAFT |
| L40 | 6.8 | 15- | | |
| L41 | 4.7 | 15- | SER2013-472ML | COILCRAFT |
| L42 | 3.3 | 15- | SER2013-362L | COILCRAFT |
| L43 | 2.2 | 15- | | |
| L44 | 1.5 | 15- | HA3778-AL | COILCRAFT |
| L45 | 1 | 15- | B82477-G4102-M | EPCOS |
| L46 | 0.68 | 15- | | |
| L47 | 0.47 | 15- | | |
| L48 | 0.33 | 15- | | |

4. Determine Output Capacitance

Typical hysteretic COT converters similar to the LM3151/2/3 require a certain amount of ripple that is generated across the ESR of the output capacitor and fed back to the error comparator. Emulated Ripple Mode control built into the LM3151/2/3 will recreate a similar ripple signal and thus the requirement for output capacitor ESR will decrease compared to a typical Hysteretic COT converter. The emulated ripple is generated by sensing the voltage signal across the low-side FET and is then compared to the FB voltage at the error comparator input to determine when to initiate the next on-time period.

$$C_{Omin} = 70 / (f_s^2 \times L)$$

The maximum ESR allowed to prevent over-voltage protection during normal operation is:

$$ESR_{max} = (80 \text{ mV} \times L) / ET_{min}$$

ET_{min} is calculated using V_{IN-MIN}

The minimum ESR must meet both of the following criteria:

$$ESR_{min} \geq (15 \text{ mV} \times L) / ET_{max}$$

$$ESR_{min} \geq [ET_{max} / (V_{IN} - V_{OUT})] / C_O$$

ET_{max} is calculated using V_{IN-MAX} .

Any additional parallel capacitors should be chosen so that their effective impedance will not negatively attenuate the output ripple voltage.

5. MOSFET Selection

The high-side and low-side FETs must have a drain to source (V_{DS}) rating of at least $1.2 \times V_{IN}$.

The gate drive current from VCC must not exceed the minimum current limit of VCC. The drive current from VCC can be calculated with:

$$I_{VCCdrive} = Q_{gtotal} \times f_s$$

Where, Q_{gtotal} is the combined total gate charge of the high-side and low-side FETs.

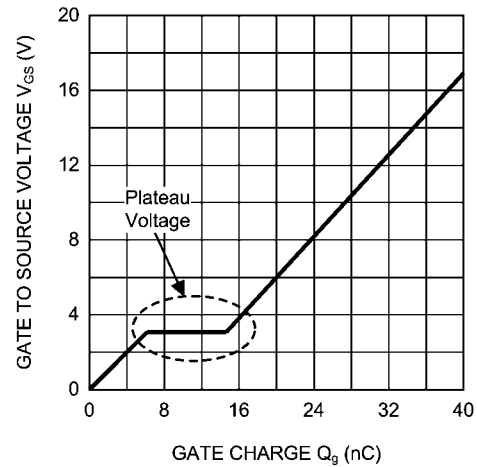
Use the following equations to calculate the current limit, I_{CL} , as shown in Figure 1.

$$V_{CL}(T_j) = V_{CL} \times [1 + 3.3 \times 10^{-3} \times (T_j - 27)]$$

$$I_{CL}(T_j) = \frac{V_{CL}(T_j)}{R_{DS(ON)max}}$$

T_j is the junction temperature of the LM3151/2/3.

The plateau voltage of the FET V_{GS} vs Q_g curve, as shown in Figure 3 must be less than $V_{CC} - 750 \text{ mV}$.



30053281

FIGURE 3. Typical MOSFET Gate Charge Curve

See following design example for estimated power dissipation calculation.

6. Calculate Input Capacitance

The main parameters for the input capacitor are the voltage rating, which must be greater than or equal to the maximum DC input voltage of the power supply, and its rms current rating. The maximum rms current is approximately 50% of the maximum load current.

$$C_{IN} = \frac{I_{omax} \times D \times (1-D)}{f_s \times \Delta V_{IN-MAX}}$$

Where, ΔV_{IN-MAX} is the maximum allowable input ripple voltage. A good starting point for the input ripple voltage is 5% of V_{IN} .

When using low ESR ceramic capacitors on the input of the LM3151/2/3 a resonant circuit can be formed with the impedance of the input power supply and parasitic impedance of long leads/PCB traces to the LM3151/2/3 input capacitors. It is recommended to use a damping capacitor under these circumstances, such as aluminum electrolytic that will prevent ringing on the input. The damping capacitor should be chosen to be approximately 5 times greater than the parallel ceramic capacitors combination. The total input capacitance should be greater than 10 times the input inductance of the power supply leads/pcb trace. The damping capacitor should also be chosen to handle its share of the rms input current which is shared proportionately with the parallel impedance of the ceramic capacitors and aluminum electrolytic at the LM3151/2/3 switching frequency.

The C_{BYP} capacitor should be placed directly at the VIN pin. The recommended value is 0.1 μF .

7. Calculate Soft-Start Capacitor

$$C_{SS} = \frac{I_{SS} \times t_{SS}}{V_{ref}}$$

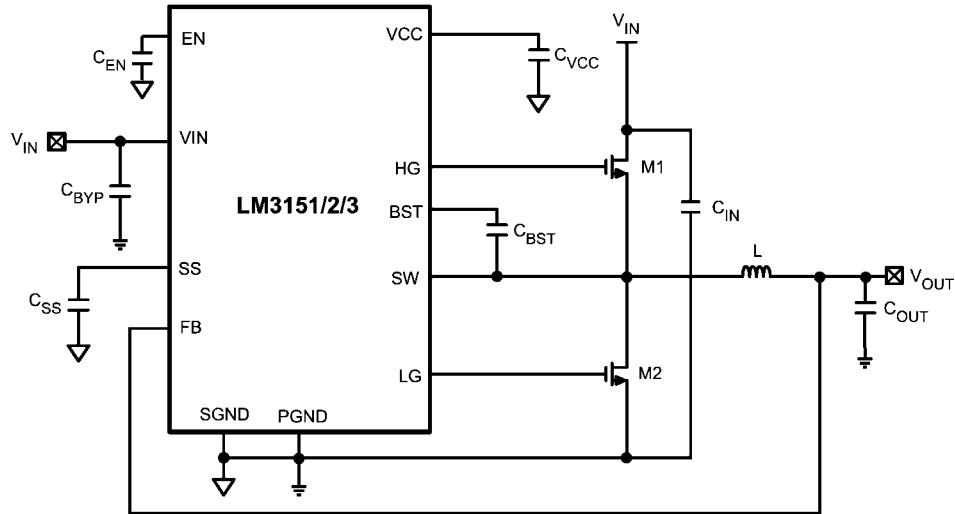
Where t_{SS} is the soft-start time in seconds and $V_{ref} = 0.6\text{V}$.

8. C_{VCC} , and C_{BST} and C_{EN}

C_{VCC} should be placed directly at the VCC pin with a recommended value of 1 μF to 2.2 μF . For input voltage ranges that include voltages below 8V a 1 μF capacitor must be used for C_{VCC} . C_{BST} creates a voltage used to drive the gate of the

high-side FET. It is charged during the SW off-time. The recommended value for C_{BST} is 0.47 μF . The EN bypass capacitor, C_{EN} , recommended value is 1000 pF when driving the EN pin from open drain type of signal.

Design Example



30053261

FIGURE 4. Design Example Schematic

1. Define Power Supply Operating Conditions

- $V_{OUT} = 3.3\text{V}$
- $V_{IN-MIN} = 6\text{V}$, $V_{IN-TYP} = 12\text{V}$, $V_{IN-MAX} = 24\text{V}$
- Typical Load Current = 12A, Max Load Current = 15A
- Soft-Start time $t_{SS} = 5\text{ms}$

2. Determine which IC Controller to Use

The LM3151 and LM3152 allow for the full input voltage range. However, from buck converter basic theory, the higher switching frequency will allow for a smaller inductor. Therefore, the LM3152-3.3 500 kHz part is chosen so that a smaller inductor can be used.

3. Determine Inductor Required

- $ET = (24 - 3.3) \times (3.3/24) \times (1000/500) = 5.7\text{ V}\mu\text{s}$
- From the inductor nomograph a 12A load and 5.7 $\text{V}\mu\text{s}$ calculation corresponds to a L44 type of inductor.
- Using the inductor designator L44 in Table 1 the Coilcraft HA3778-AL 1.65 μH inductor is chosen.

4. Determine Output Capacitance

The voltage rating on the output capacitor should be greater than or equal to the output voltage. As a rule of thumb most capacitor manufacturers suggests not to exceed 90% of the capacitor rated voltage. In the case of multilayer ceramics the capacitance will tend to decrease dramatically as the applied voltage is increased towards the capacitor rated voltage. The capacitance can decrease by as much as 50% when the applied voltage is only 30% of the rated voltage. The chosen capacitor should also be able to handle the rms current which is equal to:

$$I_{rmsco} = I_{OUT} \times \frac{r}{\sqrt{12}}$$

For this design the chosen ripple current ratio, $r = 0.3$, represents the ratio of inductor peak-to-peak current to load current. A good starting point for ripple ratio is 0.3 but it is acceptable to choose r between 0.25 to 0.5. The nomographs in this datasheet all use 0.3 as the ripple current ratio.

$$I_{rmsco} = 12 \times \frac{0.3}{\sqrt{12}}$$

$$I_{rmsco} = 1\text{A}$$

$$t_{ON} = (3.3\text{V}/12\text{V}) / 500\text{ kHz} = 550\text{ ns}$$

Minimum output capacitance is:

$$C_{Omin} = 70 / (f_s^2 \times L)$$

$$C_{Omin} = 70 / (500\text{ kHz}^2 \times 1.65\text{ }\mu\text{H}) = 169\text{ }\mu\text{F}$$

The maximum ESR allowed to prevent over-voltage protection during normal operation is:

$$ESR_{max} = (80\text{ mV} \times L) / ET$$

$$ESR_{max} = (80\text{ mV} \times 1.65\text{ }\mu\text{H}) / 5.7\text{ V}\mu\text{s}$$

$$ESR_{max} = 23\text{ m}\Omega$$

The minimum ESR must meet both of the following criteria:

$$ESR_{min} \geq (15\text{ mV} \times L) / ET$$

$$ESR_{\min} \geq [ET / (V_{IN} - V_{OUT})] / C_O$$

$$ESR_{\min} \geq (15 \text{ mV} \times 1.65 \mu\text{H}) / 5.7 \text{ V} \mu\text{s} = 4.3 \text{ m}\Omega$$

$$ESR_{\min} \geq [5.7 \text{ V} \mu\text{s} / (12 - 3.3)] / 169 \mu\text{F} = 3.9 \text{ m}\Omega$$

Based on the above criteria two 150 μF polymer aluminum capacitors with a ESR = 12 $\text{m}\Omega$ each for a effective ESR in parallel of 6 $\text{m}\Omega$ was chosen from Panasonic. The part number is EEF-UE0J151P.

5. MOSFET Selection

The LM3151/2/3 are designed to drive N-channel MOSFETs. For a maximum input voltage of 24V we should choose N-channel MOSFETs with a maximum drain-source voltage, V_{DS} , greater than $1.2 \times 24\text{V} = 28.8\text{V}$. FETs with maximum V_{DS} of 30V will be the first option. The combined total gate charge $Q_{g\text{total}}$ of the high-side and low-side FET should satisfy the following:

$$Q_{g\text{total}} \leq I_{VCC} / f_s$$

$$Q_{g\text{total}} \leq 65 \text{ mA} / 500 \text{ kHz}$$

$$Q_{g\text{total}} \leq 130 \text{ nC}$$

Where I_{VCC} is the minimum current limit of VCC, over the temperature range, specified in the electrical characteristics table. The MOSFET gate charge Q_g is gathered from reading the V_{GS} vs Q_g curve of the MOSFET datasheet at the $V_{GS} = 5\text{V}$ for the high-side, M1, MOSFET and $V_{GS} = 6\text{V}$ for the low-side, M2, MOSFET.

The Renesas MOSFET RJK0305DPB has a gate charge of 10 nC at $V_{GS} = 5\text{V}$, and 12 nC at $V_{GS} = 6\text{V}$. This combined gate charge for a high-side, M1, and low-side, M2, MOSFET $12 \text{ nC} + 10 \text{ nC} = 22 \text{ nC}$ is less than 130 nC calculated $Q_{g\text{total}}$.

The calculated MOSFET power dissipation must be less than the max allowed power dissipation, P_{dmax}, as specified in the MOSFET datasheet. An approximate calculation of the FET power dissipated Pd, of the high-side and low-side FET is given by:

High-Side MOSFET

$$P_{\text{cond}} = I_{\text{out}}^2 \times R_{\text{DS(ON)}} \times D$$

$$P_{\text{sw}} = \frac{1}{2} \times V_{\text{in}} \times I_{\text{out}} \times Q_{\text{gd}} \times f_s \times \left(\frac{8.5}{V_{\text{CC}} - V_{\text{th}}} + \frac{6.8}{V_{\text{th}}} \right)$$

$$P_{\text{dh}} = P_{\text{cond}} + P_{\text{sw}}$$

$$P_{\text{cond}} = 12^2 \times 0.01 \times 0.275 = 0.396\text{W}$$

$$P_{\text{sw}} = \frac{1}{2} \times 12 \times 12 \times 1.5 \text{ nC} \times 500 \text{ kHz} \times \left(\frac{8.5}{6 - 2.5} + \frac{6.8}{2.5} \right) = 0.278\text{W}$$

$$P_{\text{dh}} = 0.396 + 0.278 = 0.674\text{W}$$

The max power dissipation of the RJK0305DPB is rated as 45W for a junction temperature that is 125°C higher than the case temperature and a thermal resistance from the FET junction to case, θ_{JC} , of 2.78°C/W. When the FET is mounted onto the PCB, the PCB will have some additional thermal resistance such that the total system thermal resistance of the FET package and the PCB, θ_{JA} , is typically in the range of 30°C/W for this type of FET package. The max power dissipation, P_{dmax}, with the FET mounted onto a PCB with a 125°C junc-

tion temperature rise above ambient temperature and $\theta_{\text{JA}} = 30^\circ\text{C/W}$, can be estimated by:

$$P_{\text{dmax}} = 125^\circ\text{C} / 30^\circ\text{C/W} = 4.1\text{W}$$

The system calculated P_{dh} of 0.674W is much less than the FET P_{dmax} of 4.1W and therefore the RJK0305DPB max allowable power dissipation criteria is met.

Low-Side MOSFET

Primary loss is conduction loss given by:

$$P_{\text{dl}} = I_{\text{out}}^2 \times R_{\text{DS(ON)}} \times (1-D) = 122 \times 0.01 \times (1-0.275) = 1\text{W}$$

P_{dl} is also less than the P_{dmax} specified on the RJK0305DPB MOSFET datasheet.

However, it is not always necessary to use the same MOSFET for both the high-side and low-side. For most applications it is necessary to choose the high-side MOSFET with the lowest gate charge and the low-side MOSFET is chosen for the lowest allowed $R_{\text{DS(ON)}}$. The plateau voltage of the FET V_{GS} vs Q_g curve must be less than $V_{\text{CC}} - 750 \text{ mV}$.

The current limit, I_{OCL} , is calculated by estimating the $R_{\text{DS(ON)}}$ of the low-side FET at the maximum junction temperature of 100°C. Then the following calculation of I_{OCL} is:

$$I_{\text{OCL}} = I_{\text{CL}} + \Delta I_L / 2$$

$$I_{\text{CL}} = 200 \text{ mV} / 0.014 = 14.2\text{A}$$

$$I_{\text{OCL}} = 14.2\text{A} + 3.6 / 2 = 16\text{A}$$

6. Calculate Input Capacitance

The input capacitor should be chosen so that the voltage rating is greater than the maximum input voltage which for this example is 24V. Similar to the output capacitor, the voltage rating needed will depend on the type of capacitor chosen. The input capacitor should also be able to handle the input rms current which is approximately $0.5 \times I_{\text{OUT}}$. For this example the rms input current is approximately $0.5 \times 12\text{A} = 6\text{A}$.

The minimum capacitance with a maximum 5% input ripple $\Delta V_{\text{IN-MAX}} = (0.05 \times 12) = 0.6\text{V}$:

$$C_{\text{IN}} = [12 \times 0.275 \times (1-0.275)] / [500 \text{ kHz} \times 0.6] = 8 \mu\text{F}$$

To handle the large input rms current 2 ceramic capacitors are chosen at 10 μF each with a voltage rating of 50V and case size of 1210, that can handle 3A of rms current each. A 100 μF aluminum electrolytic is chosen to help dampen input ringing.

$C_{\text{BYP}} = 0.1 \mu\text{F}$ ceramic with a voltage rating greater than maximum V_{IN}

7. Calculate Soft-Start Capacitor

The soft start-time should be greater than the input voltage rise time and also satisfy the following equality to maintain a smooth transition of the output voltage to the programmed regulation voltage during startup.

$$t_{\text{SS}} \geq (V_{\text{OUT}} \times C_{\text{OUT}}) / (I_{\text{OCL}} - I_{\text{OUT}})$$

$$5 \text{ ms} > (3.3\text{V} \times 300 \mu\text{F}) / (1.2 \times 12\text{A} - 12\text{A})$$

$$5 \text{ ms} > 0.412 \text{ ms}$$

The desired soft-start time, t_{SS} , of 5 ms satisfies the equality as shown above. Therefore, the soft-start capacitor, C_{SS} , is calculated as:

$$C_{\text{SS}} = (7.7 \mu\text{A} \times 5 \text{ ms}) / 0.6\text{V} = 0.064 \mu\text{F}$$

Let $C_{SS} = 0.068 \mu\text{F}$, which is the next closest standard value. This should be a ceramic cap with a voltage rating greater than 10V.

8. C_{VCC} , C_{EN} , and C_{BST}

$C_{VCC} = 1 \mu\text{F}$ ceramic with a voltage rating greater than 10V

$C_{EN} = 1000 \text{ pF}$ ceramic with a voltage rating greater than 10V

$C_{BST} = 0.47 \mu\text{F}$ ceramic with a voltage rating greater than 10V

Bill of Materials

| Designator | Value | Parameters | Manufacturer | Part Number |
|-------------------------|---------------------|--|------------------------|------------------|
| C_{BST} | 0.47 μF | Ceramic, X7R, 16V, 10% | TDK | C2012X7R1C474K |
| C_{BYP} | 0.1 μF | Ceramic, X7R, 50V, 10% | TDK | C2012X7R1H104K |
| C_{EN} | 1000 pF | Ceramic, X7R, 50V, 10% | TDK | C1608X7R1H102K |
| C_{IN1} | 100 μF | AL, EEV-FK, 63V, 20% | Panasonic | EEV-FK1J101P |
| C_{IN2} , C_{IN3} | 10 μF | Ceramic, X5R, 35V, 10% | Taiyo Yuden | GMK325BJ106KN-T |
| C_{OUT1} , C_{OUT2} | 150 μF | AL, UE, 6.3V, 20% | Panasonic | EEF-UE0J151R |
| C_{SS} | 0.068 μF | Ceramic, 16V, 10% | | 0603YC683KAT2A |
| C_{VCC} | 1 μF | Ceramic, X7R, 16V, 10% | Kemet | C0805C105K4RACTU |
| L1 | 1.65 μH | Shielded Drum Core, A, 2.53 m Ω | Coilcraft Inc. | HA3778-AL |
| M1, M2 | 30V | 8 nC, $R_{DS(ON)}$ @4.5V = 10 m Ω | Renesas | RJK0305DB |
| U1 | | | National Semiconductor | LM3152MH-3.3 |

PCB Layout Considerations

It is good practice to layout the power components first, such as the input and output capacitors, FETs, and inductor. The first priority is to make the loop between the input capacitors and the source of the low side FET to be very small and tie the grounds of each directly to each other and then to the ground plane through vias. As shown in the figure below, when the input cap ground is tied directly to the source of the low side FET, parasitic inductance in the power path, along with noise coupled into the ground plane, are reduced.

The switch node is the next item of importance. The switch node should be made only as large as required to handle the load current. There are fast voltage transitions occurring in the switch node at a high frequency, and if the switch node is made too large it may act as an antenna and couple switching noise into other parts of the circuit. For high power designs it is recommended to use a multi-layer board. The FET's are

going to be the largest heat generating devices in the design, and as such, care should be taken to remove the heat. On multi layer boards using exposed-pad packages for the FET's such as the power-pak SO-8, vias should be used under the FETs to the same plane on the interior layers to help dissipate the heat and cool the FETs. For the typical single FET Power-Pak type FETs the high-side FET DAP is V_{in} . The V_{in} plane should be copied to the other interior layers to the bottom layer for maximum heat dissipation. Likewise, the DAP of the low-side FET is connected to the SW node and it's shape should be duplicated to the interior layers down to the bottom layer for maximum heat dissipation.

See the Evaluation Board application note AN-1900 for an example of a typical multilayer board layout, and the Demonstration Board Reference Design App Note for a typical 2 layer board layout. Each design allows for single sided component mounting.

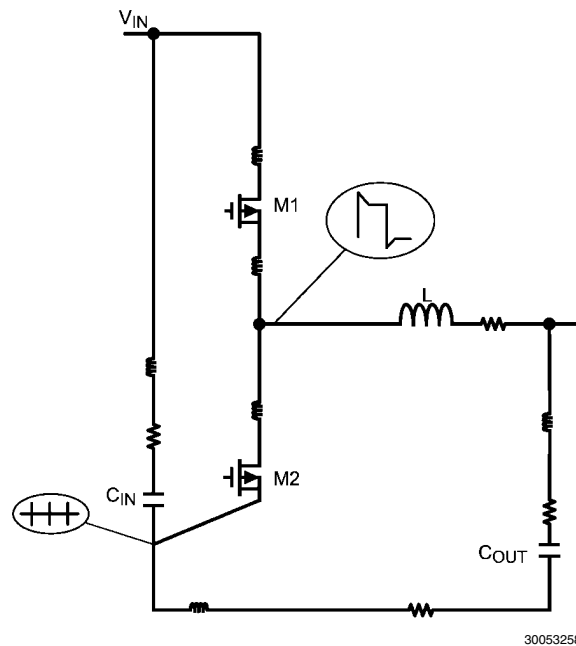


FIGURE 5. Schematic of Parasitics

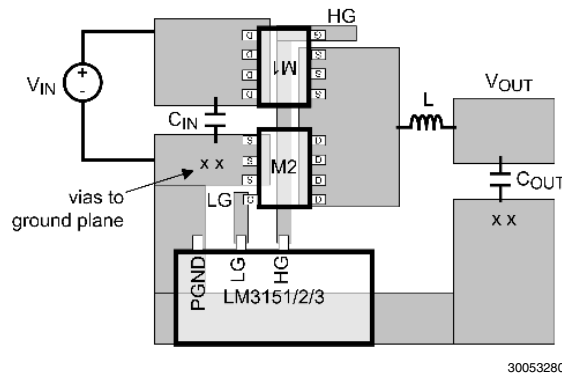
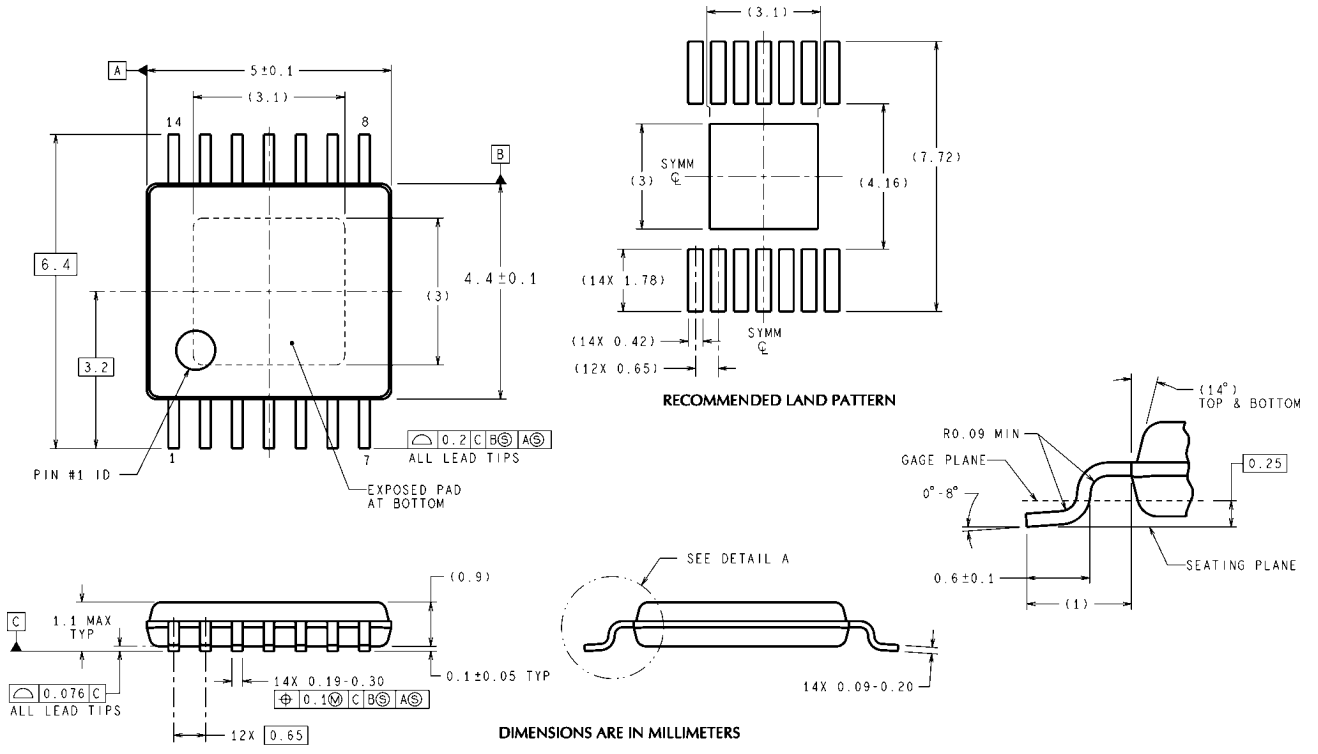


FIGURE 6. PCB Placement of Power Stage

Physical Dimensions inches (millimeters) unless otherwise noted



14-Lead eTSSOP Package
NS Package Number MXA14A

MXA14A (Rev A)

Notes

Notes

For more National Semiconductor product information and proven design tools, visit the following Web sites at:

| Products | | Design Support | |
|--------------------------------|--|------------------------------|--|
| Amplifiers | www.national.com/amplifiers | WEBENCH® Tools | www.national.com/webench |
| Audio | www.national.com/audio | App Notes | www.national.com/appnotes |
| Clock and Timing | www.national.com/timing | Reference Designs | www.national.com/refdesigns |
| Data Converters | www.national.com/adc | Samples | www.national.com/samples |
| Interface | www.national.com/interface | Eval Boards | www.national.com/evalboards |
| LVDS | www.national.com/lvds | Packaging | www.national.com/packaging |
| Power Management | www.national.com/power | Green Compliance | www.national.com/quality/green |
| Switching Regulators | www.national.com/switchers | Distributors | www.national.com/contacts |
| LDOs | www.national.com/ldo | Quality and Reliability | www.national.com/quality |
| LED Lighting | www.national.com/led | Feedback/Support | www.national.com/feedback |
| Voltage Reference | www.national.com/vref | Design Made Easy | www.national.com/easy |
| PowerWise® Solutions | www.national.com/powerwise | Solutions | www.national.com/solutions |
| Serial Digital Interface (SDI) | www.national.com/sdi | Mil/Aero | www.national.com/milaero |
| Temperature Sensors | www.national.com/tempensors | SolarMagic™ | www.national.com/solarmagic |
| Wireless (PLL/VCO) | www.national.com/wireless | PowerWise® Design University | www.national.com/training |

THE CONTENTS OF THIS DOCUMENT ARE PROVIDED IN CONNECTION WITH NATIONAL SEMICONDUCTOR CORPORATION ("NATIONAL") PRODUCTS. NATIONAL MAKES NO REPRESENTATIONS OR WARRANTIES WITH RESPECT TO THE ACCURACY OR COMPLETENESS OF THE CONTENTS OF THIS PUBLICATION AND RESERVES THE RIGHT TO MAKE CHANGES TO SPECIFICATIONS AND PRODUCT DESCRIPTIONS AT ANY TIME WITHOUT NOTICE. NO LICENSE, WHETHER EXPRESS, IMPLIED, ARISING BY ESTOPPEL OR OTHERWISE, TO ANY INTELLECTUAL PROPERTY RIGHTS IS GRANTED BY THIS DOCUMENT.

TESTING AND OTHER QUALITY CONTROLS ARE USED TO THE EXTENT NATIONAL DEEMS NECESSARY TO SUPPORT NATIONAL'S PRODUCT WARRANTY. EXCEPT WHERE MANDATED BY GOVERNMENT REQUIREMENTS, TESTING OF ALL PARAMETERS OF EACH PRODUCT IS NOT NECESSARILY PERFORMED. NATIONAL ASSUMES NO LIABILITY FOR APPLICATIONS ASSISTANCE OR BUYER PRODUCT DESIGN. BUYERS ARE RESPONSIBLE FOR THEIR PRODUCTS AND APPLICATIONS USING NATIONAL COMPONENTS. PRIOR TO USING OR DISTRIBUTING ANY PRODUCTS THAT INCLUDE NATIONAL COMPONENTS, BUYERS SHOULD PROVIDE ADEQUATE DESIGN, TESTING AND OPERATING SAFEGUARDS.

EXCEPT AS PROVIDED IN NATIONAL'S TERMS AND CONDITIONS OF SALE FOR SUCH PRODUCTS, NATIONAL ASSUMES NO LIABILITY WHATSOEVER, AND NATIONAL DISCLAIMS ANY EXPRESS OR IMPLIED WARRANTY RELATING TO THE SALE AND/OR USE OF NATIONAL PRODUCTS INCLUDING LIABILITY OR WARRANTIES RELATING TO FITNESS FOR A PARTICULAR PURPOSE, MERCHANTABILITY, OR INFRINGEMENT OF ANY PATENT, COPYRIGHT OR OTHER INTELLECTUAL PROPERTY RIGHT.

LIFE SUPPORT POLICY

NATIONAL'S PRODUCTS ARE NOT AUTHORIZED FOR USE AS CRITICAL COMPONENTS IN LIFE SUPPORT DEVICES OR SYSTEMS WITHOUT THE EXPRESS PRIOR WRITTEN APPROVAL OF THE CHIEF EXECUTIVE OFFICER AND GENERAL COUNSEL OF NATIONAL SEMICONDUCTOR CORPORATION. As used herein:

Life support devices or systems are devices which (a) are intended for surgical implant into the body, or (b) support or sustain life and whose failure to perform when properly used in accordance with instructions for use provided in the labeling can be reasonably expected to result in a significant injury to the user. A critical component is any component in a life support device or system whose failure to perform can be reasonably expected to cause the failure of the life support device or system or to affect its safety or effectiveness.

National Semiconductor and the National Semiconductor logo are registered trademarks of National Semiconductor Corporation. All other brand or product names may be trademarks or registered trademarks of their respective holders.

Copyright© 2009 National Semiconductor Corporation

For the most current product information visit us at www.national.com



National Semiconductor Americas Technical Support Center
 Email: support@nsc.com
 Tel: 1-800-272-9959

National Semiconductor Europe Technical Support Center
 Email: europe.support@nsc.com

National Semiconductor Asia Pacific Technical Support Center
 Email: ap.support@nsc.com

National Semiconductor Japan Technical Support Center
 Email: jpn.feedback@nsc.com