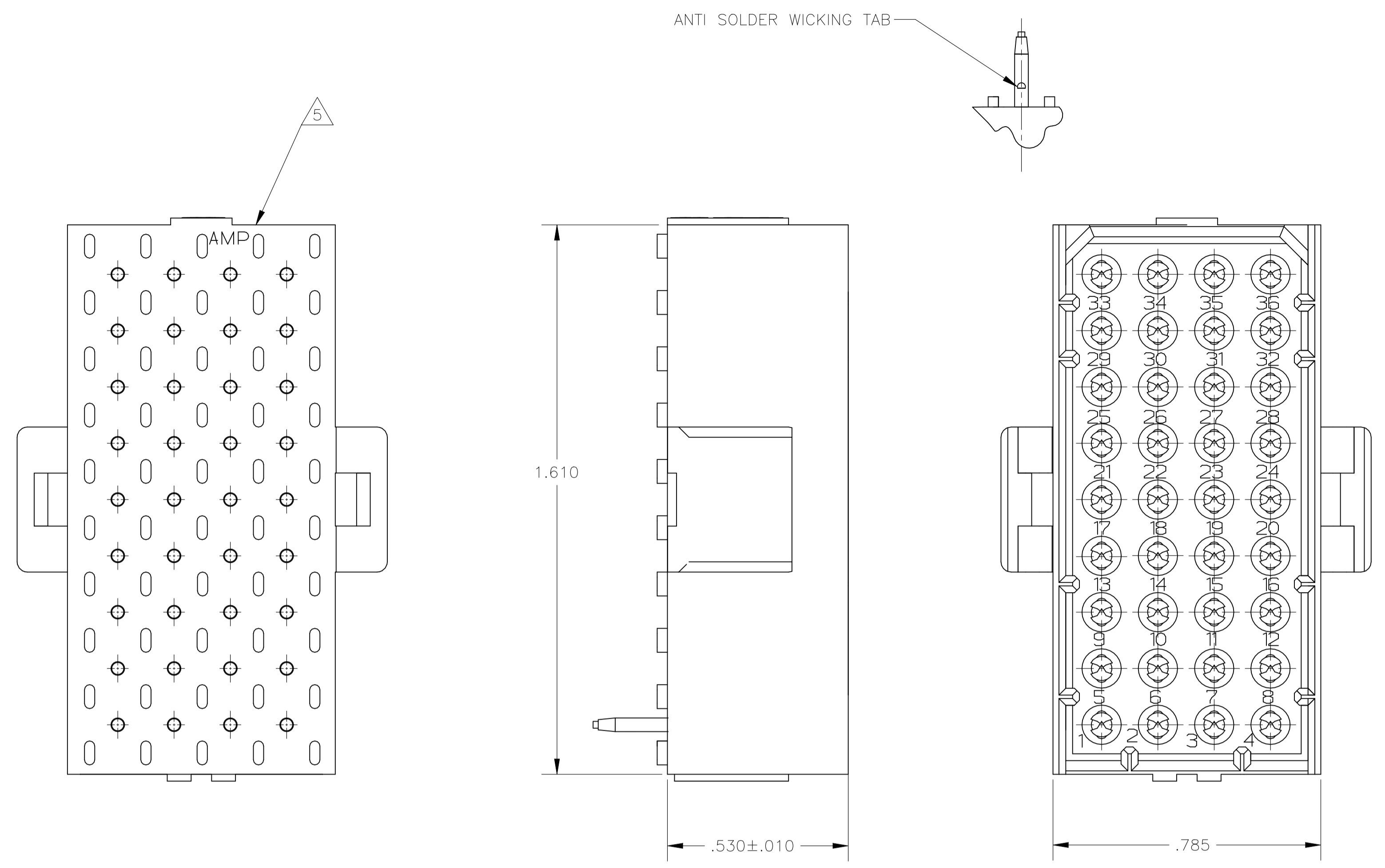
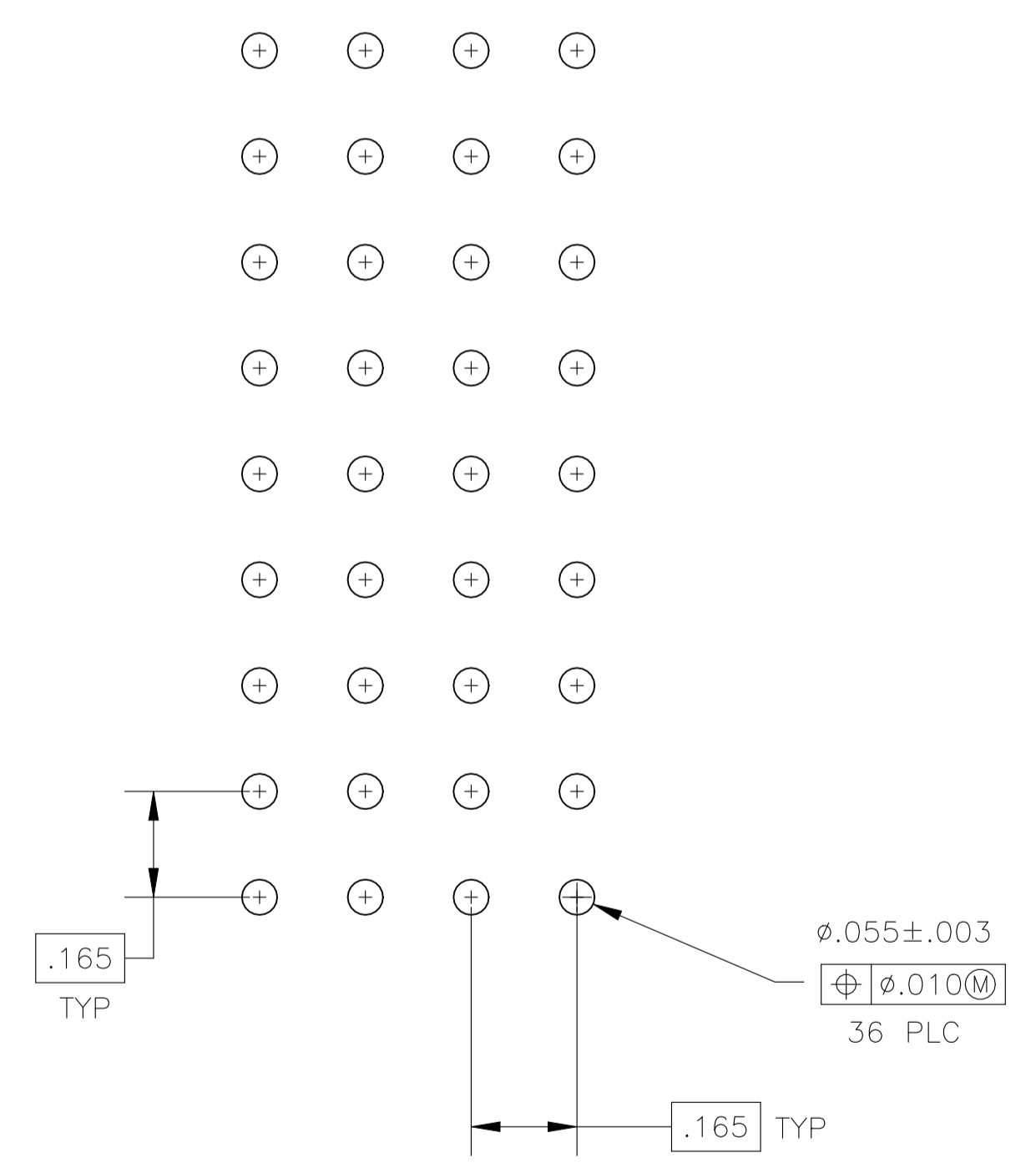


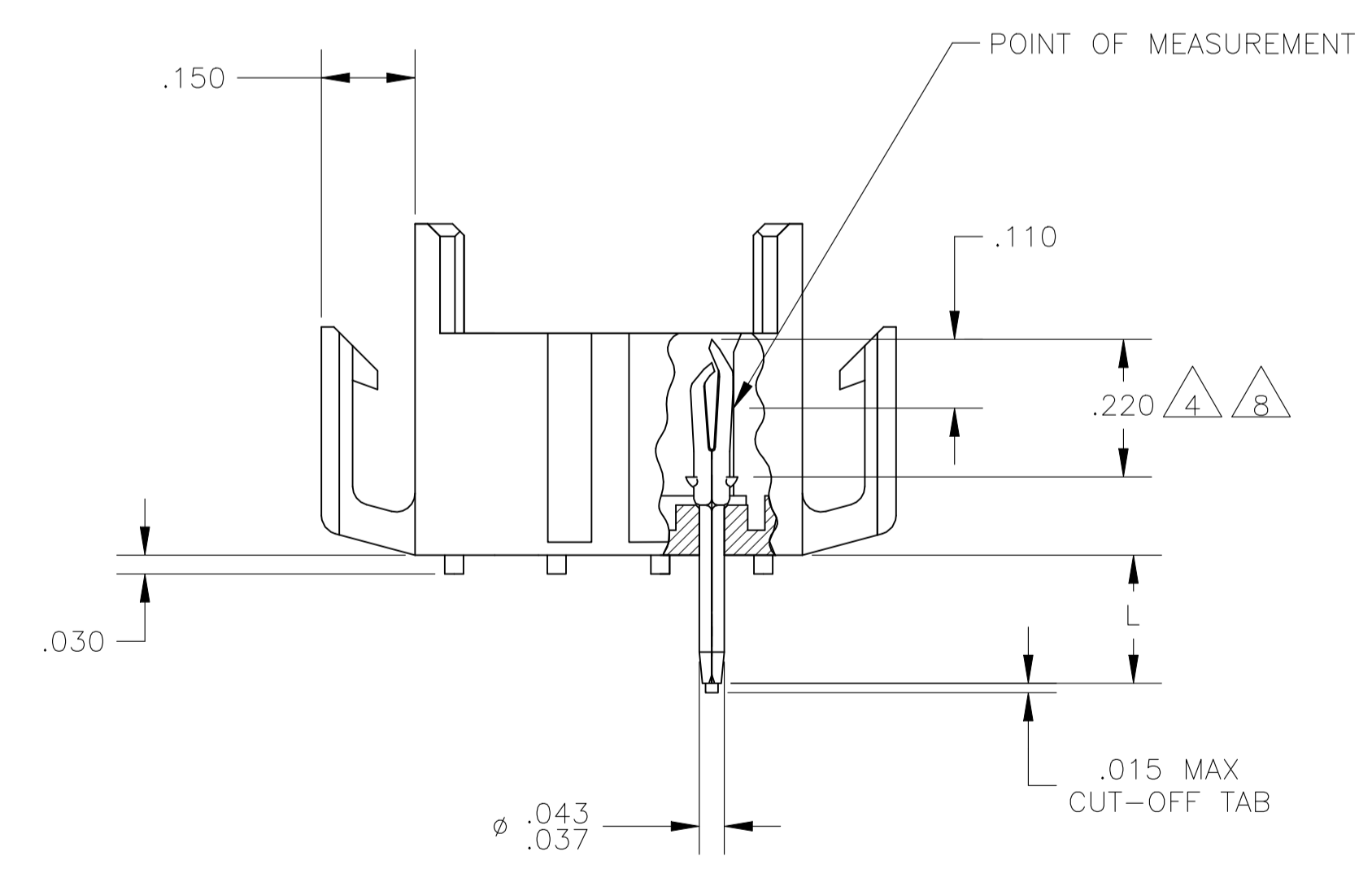
REVISIONS					
P	LTR	DESCRIPTION	DATE	DRN	APVD
V		REVISED PER ECO-21-006900	13DEC2021	RK	MZ



- 1 FITS SOCKET HOUSING 640526.
- 2 ASSEMBLY CONFORMS TO AMP SOLDERABILITY SPEC. 109-11-3.
- 3 FOR USE WITH .063 THICK P.C. BOARD.
- 4 CONTACT IS PLATED OVERALL WITH .000050 NICKEL, THEN .000030 GOLD OVER CONTACT LENGTH INDICATED AND .000150 MATTE TIN-LEAD ON SOLDER TAIL END.
- 5 UL AND CSA LOGO LOCATED ON THIS SURFACE.
- 6 FOR USE WITH .120 THICK P.C. BOARD.
- 7 TRAY PACKAGED VERSION OF 640506-1. PACKAGED 54 PCS. PER TRAY AND 7 TRAYS PER BOX.
- 8 CONTACT IS PLATED OVERALL WITH .000050 NICKEL, THEN .000030 GOLD OVER CONTACT LENGTH INDICATED AND .000150 MATTE TIN ON SOLDER TAIL END.
- 9 OBSOLETE PARTS: OBSOLETE CIS STREAMLINING PER D.RENAUD/D.SINISI
- 10 PARTITION PACKED AND BOXED, 270 PCS PER CARTON.
- 11 HOUSING MATERIAL: PA66, BLACK, UL 94 V-0 RATED
CONTACT MATERIAL: PHOSPHOR BRONZE



RECOMMENDED P.C. BOARD LAYOUT



IN	MM	IN	MM	IN	MM
.015	0.38	.110	2.79	1.610	40.89
.010	0.25	.063	1.60	.785	19.94
.008	0.20	.055	1.40	.530	13.46
.005	0.13	.043	1.09	.220	5.59
.003	0.08	.037	0.94	.210	5.33
.000050	0.00127	.030	0.76	.165	4.19
.000030	0.00076	.020	0.51	.150	3.81

CONVERSION TABLE

10	OBSOLETE	.210	6	GOLD	4	-1-640506-4
		.210	6	GOLD	8	2-640506-4
		.150	3	GOLD	8	2-640506-2
7, 9	OBSOLETE	.150	3	PRE-TIN		-1-640506-0
		.210	6	GOLD	4	640506-4
		.210	6	PRE-TIN		640506-3
		.150	3	GOLD	4	640506-2
		.150	3	PRE-TIN		640506-1
	"L"	+0.010 -.020		PIN FINISH		PART NUMBER

THIS DRAWING IS A CONTROLLED DOCUMENT.

DIMENSIONS: INCHES	TOLERANCES UNLESS OTHERWISE SPECIFIED:	DIN J. HUFFMAN 28 APR 98	CHK R. SWING 28 APR 98	APVD T. REDDICK 28 APR 98	NAME
0. PLC ± -	1. PLC ± -	TE Connectivity HEADER ASSEMBLY, PIN, 36 POSITION MR.			SIZE
2. PLC ± -	3. PLC ± .005				WEIGHT
4. PLC ± -	ANGLES ± 0° 30'				RESTRICTED TO
FINISH SEE FINISH					
MATERIAL	FINISH	CUSTOMER DRAWING	SCALE 4:1	SHEET 1 of 1	REV V