

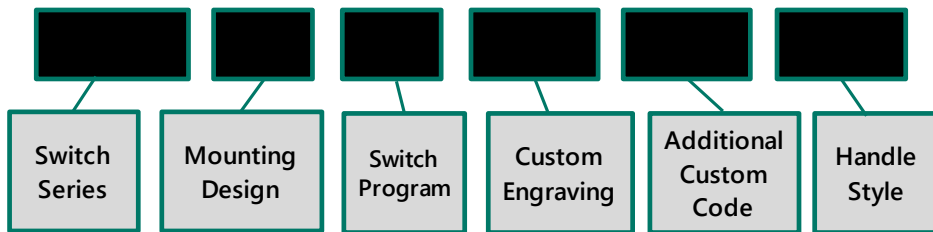
# Rotary Cam Switches – Instrumentation Switches

## Voltmeter & Ammeter Selector Switches

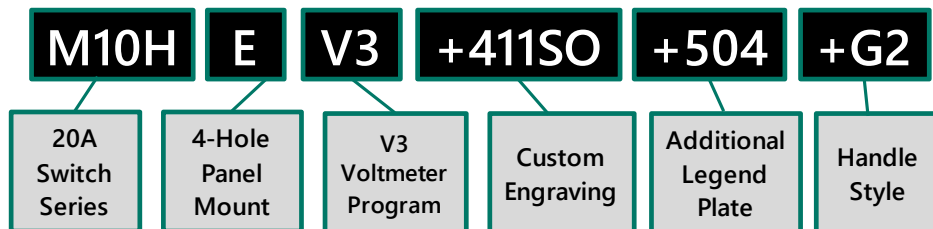


Switch Series	Rated Voltage (V)	Rated Operation Current UL (A)	Cable Cross Sections (AWG)
M10H	600	20	Solid = 12-20; Flexible = 14-20
M20	600	25	Solid = 10-18; Flexible = 8-18

### Part Number Creation:



### Instrumentation Switch Example:



# Rotary Cam Switches – Instrumentation Switches



## Voltmeter Selector Switches

Switch Series	Program Code	Description	Wiring Diagram	Switching Angle	# of Cells	Escutcheon Plate
M10H, M20	V3	<p>3 line voltages</p> <p>J2 J1</p>		45°	2	<p>*additional engraving options available</p>
M10H, M20	V0	<p>3 phase voltages</p> <p>J2 J1</p>		45°	2	<p>*additional engraving options available</p>
M10H, M20	V1	<p>3 line voltages &amp; 3 phase voltages</p> <p>J2 J1</p>		30°	3	<p>*additional engraving options available</p>
M10H, M20	V32	<p>23-phase systems 2 x 3 line voltages</p> <p>J2 J1</p>		45°	4	<p>*additional engraving options available</p>
M10H, M20	V13	<p>3 line voltages &amp; 1 phase voltage</p> <p>J2 J1</p>		45°	3	<p>*additional engraving options available</p>

Specifications are subject to change without notice

# Rotary Cam Switches – Instrumentation Switches

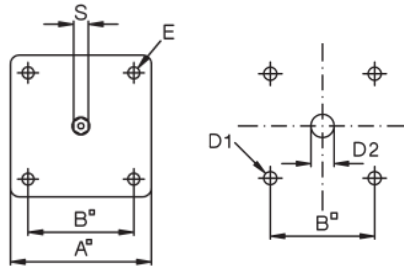
## Ammeter Selector Switches

Switch Series	Program Code	Description	Wiring Diagram	Switching Angle	# of Cells	Escutcheon Plate
M10H, M20	M11	1 pole, for current transformer 		90°	1	<p>*additional engraving options available</p>
M10H, M20	M12	2 pole, for 1 current transformer or direct current measurement 		90°	2	<p>*additional engraving options available</p>
M10H, M20	M21	1 pole, for 2 current transformers 		90°	2	<p>*additional engraving options available</p>
M10H, M20	M22	2 pole, for 2 current transformers or direct current measurement in 2 phases 		90°	3	<p>*additional engraving options available</p>
M10H, M20	M31	1 pole, for 3 current transformers 		90°	3	<p>*additional engraving options available</p>
M10H, M20	M32	2 pole, for 3 current transformers or direct current measurement in 3 phases 		90°	6	<p>*additional engraving options available</p>
M10H, M20	M41	1 pole, for 4 current transformers 		90°	4	<p>*additional engraving options available</p>
M10H, M20	M42	2 pole, for 4 current transformer or direct current measurement in 4 phases 		90°	6	<p>*additional engraving options available</p>

## Dimensions

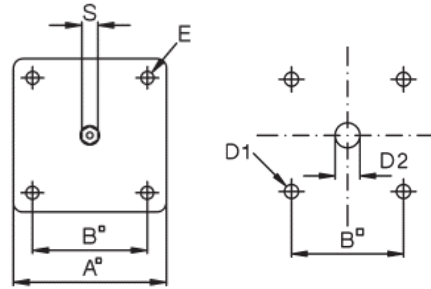
Panel Mount - E (mm)

Series	A	B	D1	D2	E
M10H	48	36	5	8	4
M20	48	36	5	8	4

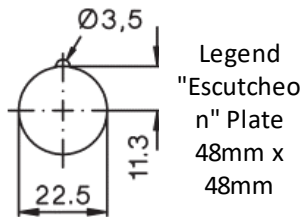


Base Mount - V (mm)

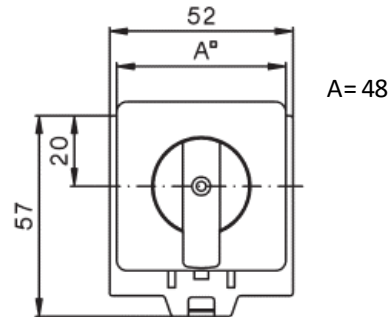
Series	A	B	D1	D2	E
M10H	48	36	5	8	4.2
M20	48	36	5	8	4.2



Single Hole Mount - Z & ZO (mm)



DIN Rail Mount - SM (mm)



Analog Panel Meters  
also available from  
B&J-USA, Inc.