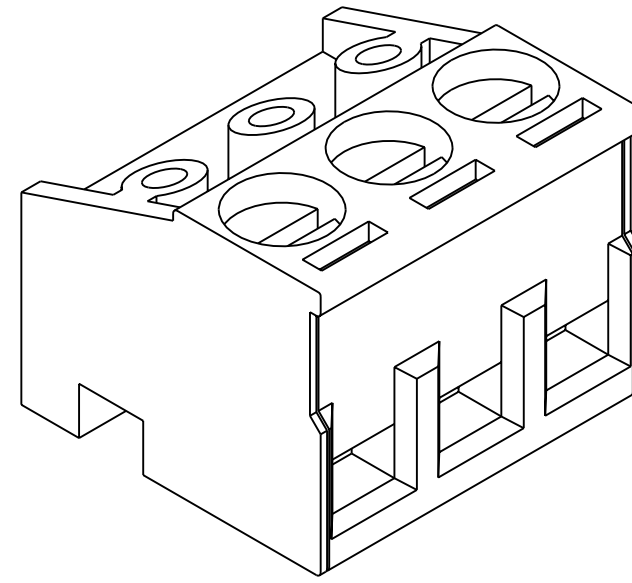
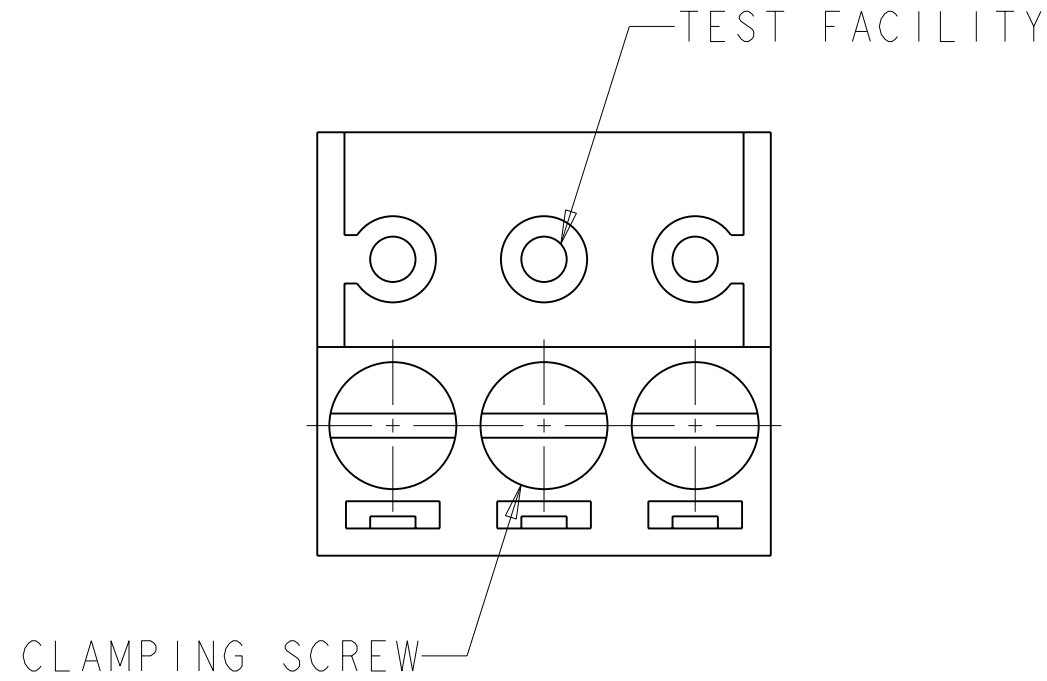


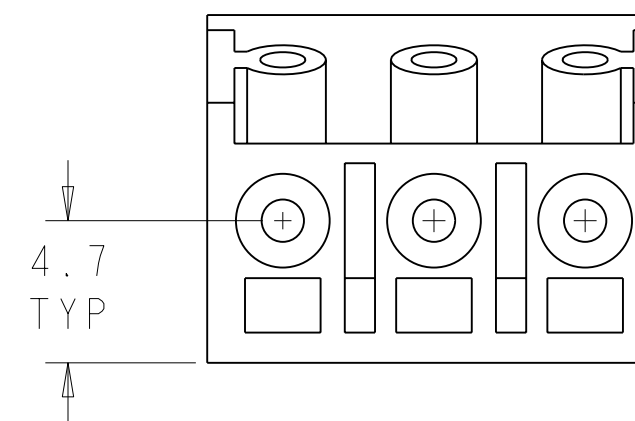
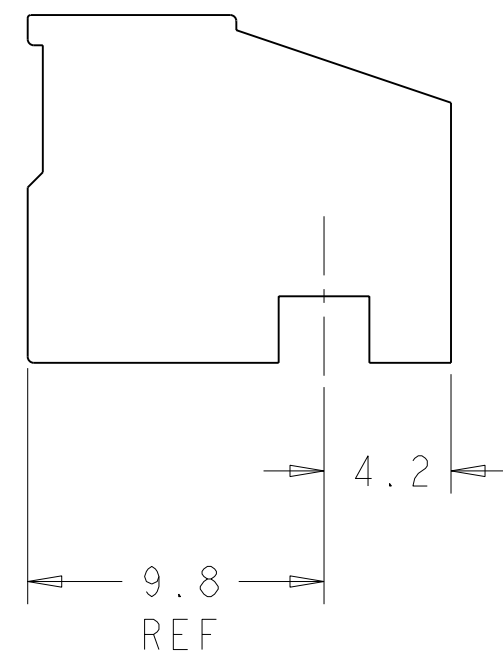
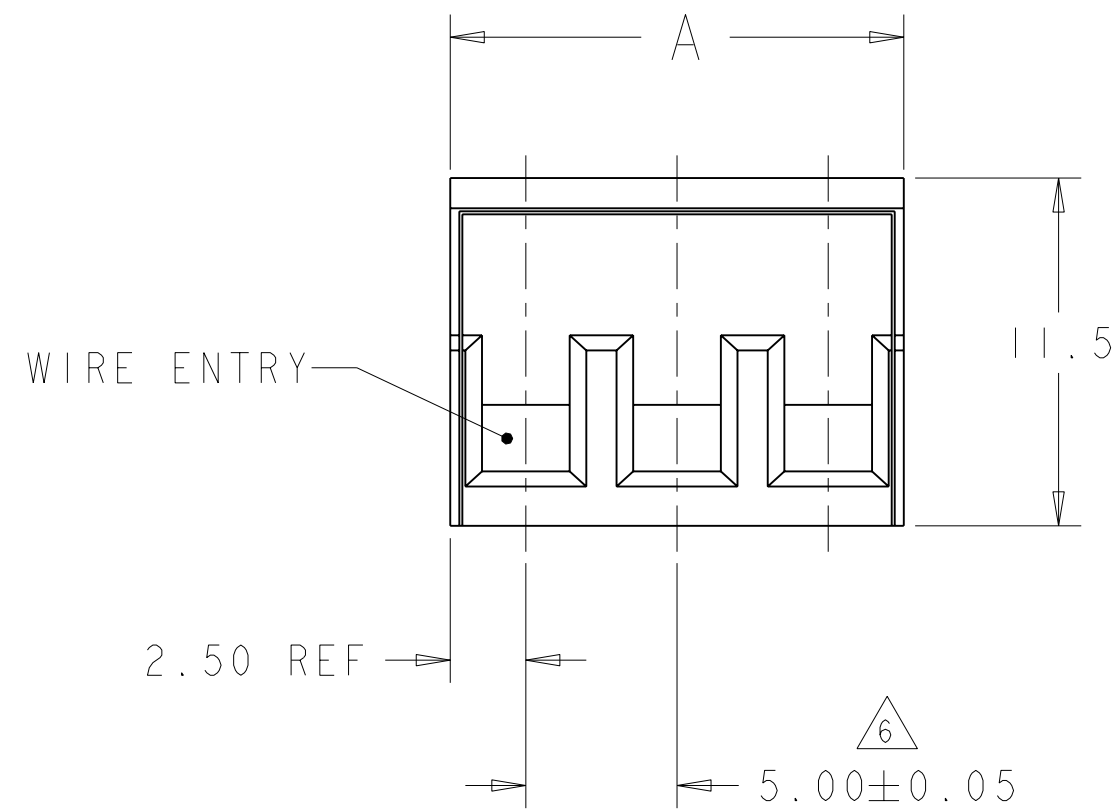
THIS DRAWING IS UNPUBLISHED. RELEASED FOR PUBLICATION 20
 © COPYRIGHT 20 BY TYCO ELECTRONICS CORPORATION. ALL RIGHTS RESERVED.

LOC	DIST	REVISIONS					
FT	0	P	LTR	DESCRIPTION	DATE	DWN	APVD
		A		RELEASED	19JAN2006	SW	CR



1776709-3 AS SHOWN

- 1. MATERIALS AND FINISH
 HOUSING: PA 6-6, UL 94-V0, COLOR: BLUE.
 CLAMP: BRASS, NICKEL PLATED.
 CONTACT: PHOSPHOR BRONZE, PLATING: TIN PLATED.
 CLAMPING SCREW: M3, BRASS, NICKEL PLATED.
- 2. END-TO-END STACKABLE WITHOUT LOSS OF CENTERLINE SPACING.
- 3. WIRE SIZE RANGE: 12-30 AWG
- 4. RECOGNIZED UNDER THE COMPONENT PROGRAM OF UNDERWRITERS LABORATORIES INC. FILE N° E60677.
- 5. IMQ CERTIFICATE WITH SURVEILLANCE IN CONFORMITY WITH IEC 998-1/998-2-1.
- 6. NOT CUMULATIVE TOLERANCE.



15	3	1776709-3
10	2	1776709-2
A	NO OF POSN	PART NUMBER

<small>THIS DRAWING IS A CONTROLLED DOCUMENT FOR TYCO ELECTRONICS CORPORATION IT IS SUBJECT TO CHANGE AND THE CONTROLLING ENGINEERING ORGANIZATION SHOULD BE CONTACTED FOR THE LATEST REVISION.</small>		DWN S. WELDON 9JAN2006	Tyco Electronics Harrisburg, PA 17105-3608	
DIMENSIONS: mm		CHK C. RICHARD 9JAN2006	BUCHANAN NAME TERMINAL BLOCK PLUG, 90/180 DEGREE, STACKING, 5.00mm PITCH	
		APVD C. RICHARD 9JAN2006		
TOLERANCES UNLESS OTHERWISE SPECIFIED: 0 PLC ± 1 PLC ±0.3 2 PLC ±0.25 3 PLC ±0.000 4 PLC ±0.000 ANGLES ±		PRODUCT SPEC -	SIZE A2	CAGE CODE 00779
MATERIAL -		APPLICATION SPEC -	DRAWING NO C=1776709	RESTRICTED TO -
FINISH -		WEIGHT -	SCALE 4:1 SHEET 1 OF 1 REV A	
CUSTOMER DRAWING				