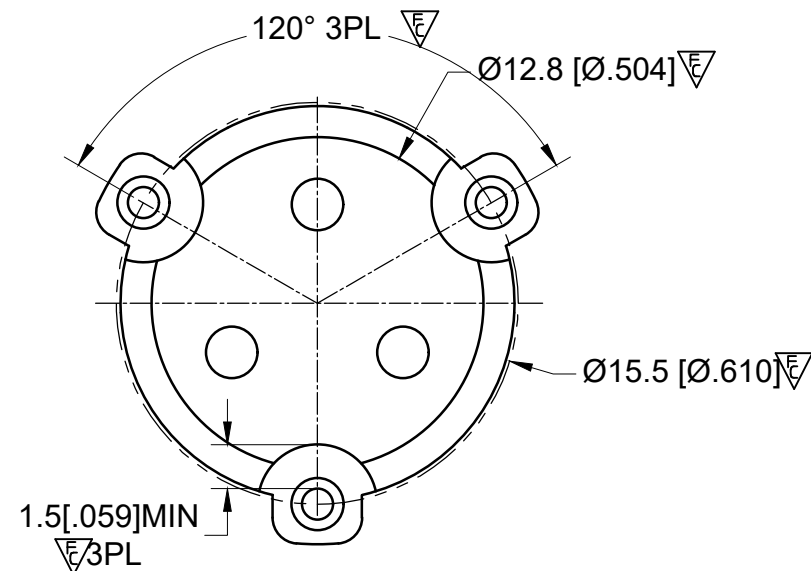
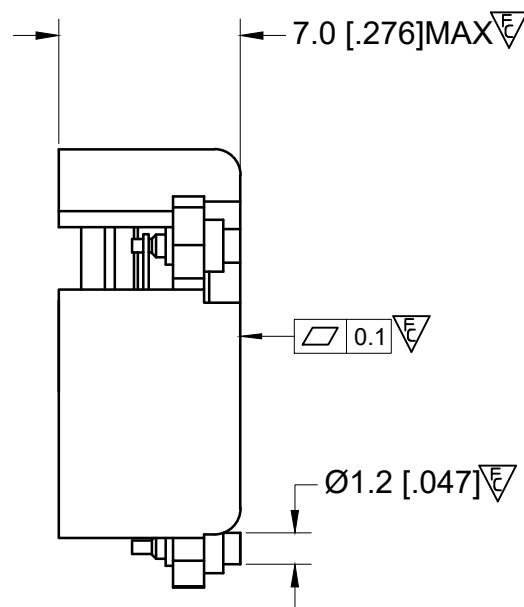
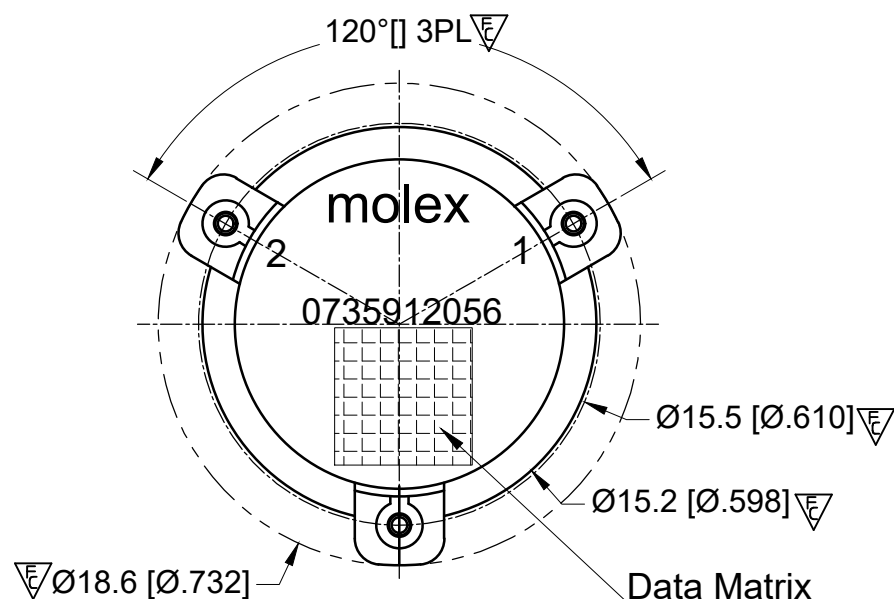
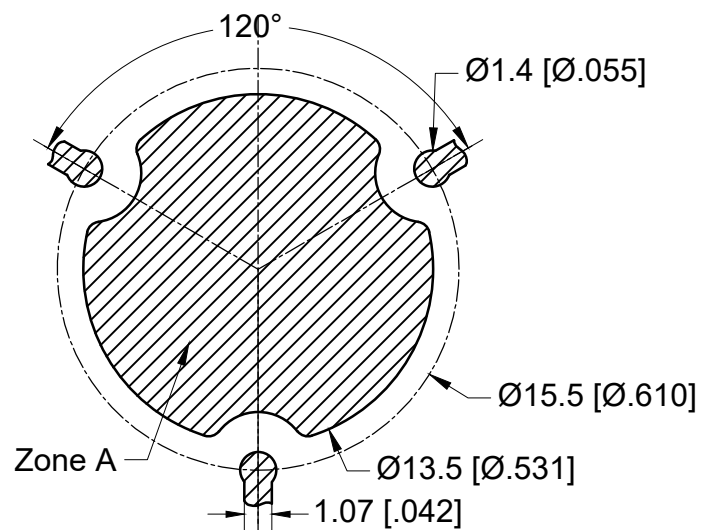
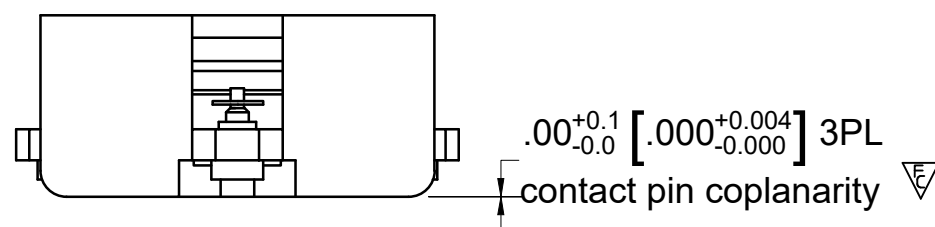


**RECOMMENDED LAND PATTERN :**

Zone A must be attached to heat sink. Thermal conductivity of intermediate layers between Zone A and heat sink must be better than 0.1 W / [°C x mm].



PCB Material :Rogers RO4350B,0.508mm thickness  
trace width 1.07mm wide.



**ELECTRICAL SPECIFICATIONS :**

- Frequency Range : 3700~3980 MHz
- Insertion Loss : 0.25 dB Max
- Isolation : 20 dB Min
- Return Loss : 20 dB Min
- Average forward power : 65W
- Peak forward power : 470W
- Attenuation(2\*TX ) : 10dB min
- (3\*TX ) : 5dB min
- (4\*TX and 5\*TX: ) : 10dB min
- FMD IMD3(2 x 25 W, 1 MHz space) : -60 dBc Max
- Operating Temperature : -40°C to +105°C
- Storage Temperature : -55°C to +125°C
- Direction : CCW

**MATERIAL :**

- BODY : STEEL, SILVER PLATED
- PIN : COPPER , SILVER PLATED

**NOTES :**

- 1.STANDARD INPUT/OUTPUT IMPEDANCE 50 Ohm
- 2.LEAD FREE, NO Nd MATERIAL, BeO FREE
- 3.THE DIMENSION OF DATA MATRIX IS 5.3X5.3MM INFORMATION INCLUDING WORK ORDER NUMBER-SERIAL NUMBER-MATERIAL NUMBER
- 4.THIS PART COMPLIES WITH ALL RoHS REQUIREMENTS

**ENG PART#: 812-370-398-WP040**

FUNCTIONAL SYMBOLS	THIS DRAWING CONTAINS INFORMATION THAT IS PROPRIETARY TO MOLEX ELECTRONIC TECHNOLOGIES, LLC AND SHOULD NOT BE USED WITHOUT WRITTEN PERMISSION							
	DIMENSION UNITS	SCALE	CURRENT REV DESC:					
▽FA=0	MM	1:1	---					
▽E=0	GENERAL TOLERANCES (UNLESS SPECIFIED)							
▽EP=0		mm	INCH					
DIVISIONAL SYMBOLS	4 PLACES	±0.025	±----					
	3 PLACES	±0.05	±----					
	2 PLACES	±0.13	±----					
	1 PLACE	±0.25	±----					
	0 PLACES	±0.4	±----					
	ANGULAR TOL	± 1.5 °						
DRAFT WHERE APPLICABLE MUST REMAIN WITHIN DIMENSIONS			THIRD ANGLE PROJECTION	DRAWING	SERIES	MATERIAL NUMBER	CUSTOMER	SHEET NUMBER
				A3-SIZE	73591	0735912056	CUSTOM PART	1 OF 1