



# American Opto Plus LED L-519EGW

5mm Dia LED LAMP – WHITE DIFFUSED

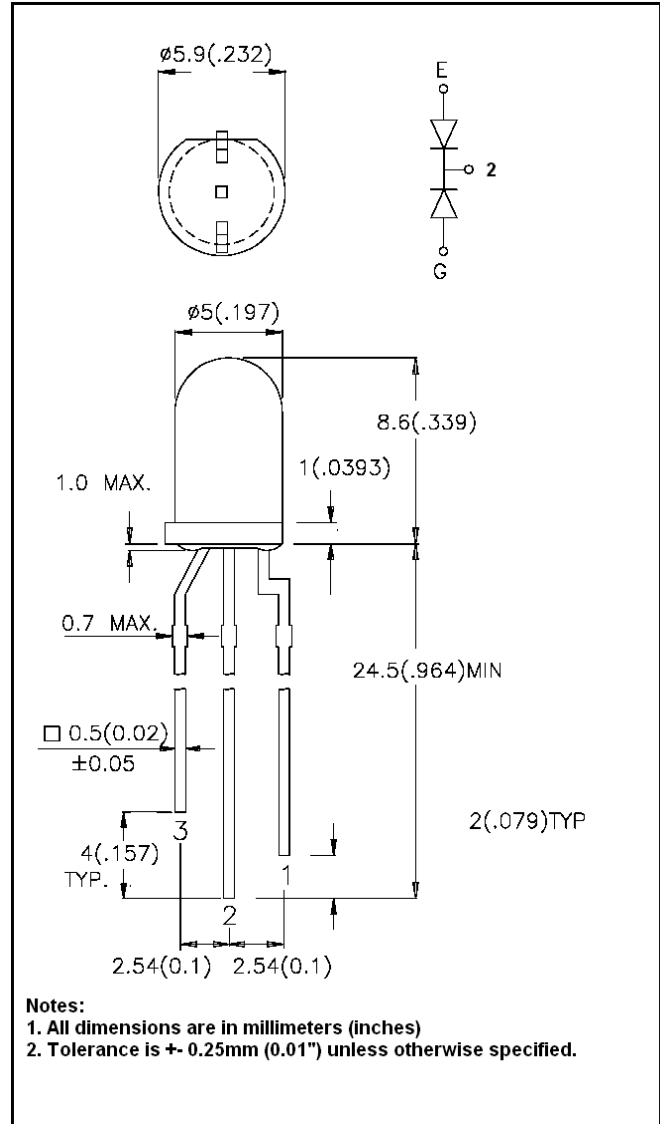
- ◆ 5.0mm DIA LED LAMP
- ◆ I.C. COMPATIBLE
- ◆ LOW POWER CONSUMPTION
- ◆ HIGH LUMINOUS INTENSITY

## DESCRIPTION

- Standard LED Lamp
- Round type
- T1-3/4 (5mm) diameter
- Lens color: White Diffused Lens
- With Flange
- Solder leads without stand-off

## FEATURES

- Emitted color: Red/Green
- Standard intensity
- Technology: GaAsP/GaP
- Peak wavelength  $\lambda_p = 635/565\text{nm}$
- Viewing angle:  $60^\circ$



## SELECTION GUIDE

Chip Material	Chip Emitted	Lens Color	Viewing Angle
GaAsP/GaP	Red/Green	White Diffused	$60^\circ$



# American Opto Plus LED L-519EGW

5mm Dia LED LAMP – WHITE DIFFUSED

- ◆ 5.0mm DIA LED LAMP
- ◆ I.C. COMPATIBLE
- ◆ LOW POWER CONSUMPTION
- ◆ HIGH LUMINOUS INTENSITY

## ABSOLUTE MAXIMUM RATINGS

(Ta=25°C)

PARAMETER	SYMBOL	MAX. RATING	Unit
Power Dissipation	P <sub>D</sub>	100	mW
Peak Forward Current (1/10 Duty Cycle @1KHz )	I <sub>PF</sub>	160	mA
Continuous Forward Current	I <sub>AF</sub>	30	mA
Reverse Voltage	V <sub>R</sub>	5.0	V
Operating Temperature Range	T <sub>OPR</sub>	-40~+80	°C
Storage Temperature Range	T <sub>STG</sub>	-40~+100	°C

Solder temperature 1.6 mm from body for 3 seconds at 260°C

## OPTICAL-ELECTRICAL CHARACTERISTICS

PARAMETER	SYMBOL	TEST CONDITION	MIN	TYP	MAX	UNIT
Luminous Intensity Red	I <sub>V</sub>	I <sub>F</sub> = 20mA	8	20		mcd
Luminous Intensity Green	I <sub>V</sub>	I <sub>F</sub> = 20mA	5	15		mcd
Forward Voltage Red	V <sub>F</sub>	I <sub>F</sub> = 20mA	1.7	2.0	2.8	V
Forward Voltage Green	V <sub>F</sub>	I <sub>F</sub> = 20mA	1.7	2.1	2.8	V
Reverse Current	I <sub>R</sub>	V <sub>R</sub> = 5V			10	A
Viewing Angle	2θ <sub>1/2</sub>	I <sub>F</sub> = 20mA		60		deg.
Dominant Wavelength Red	λ <sub>P</sub>	I <sub>F</sub> = 20mA		635		nm
Dominant Wavelength Green	λ <sub>D</sub>	I <sub>F</sub> = 20mA		565		nm
Δλ Red	Δλ	I <sub>F</sub> = 20mA		45		nm
Δλ Green	Δλ	I <sub>F</sub> = 20mA		30		nm

\*Tolerance of Viewing Angle: -10 / +5 deg.