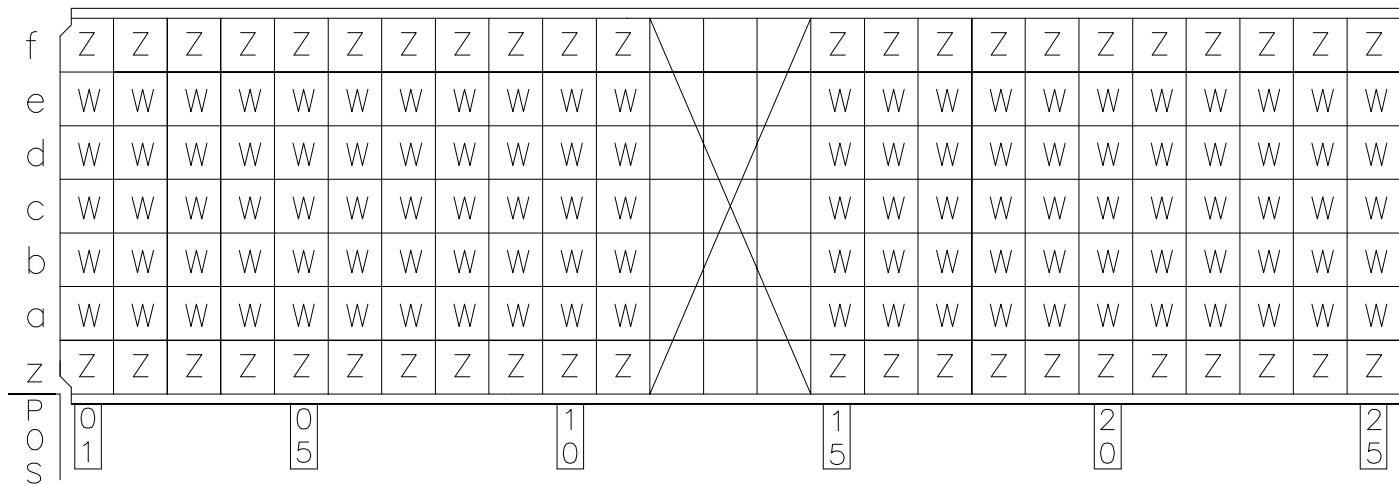
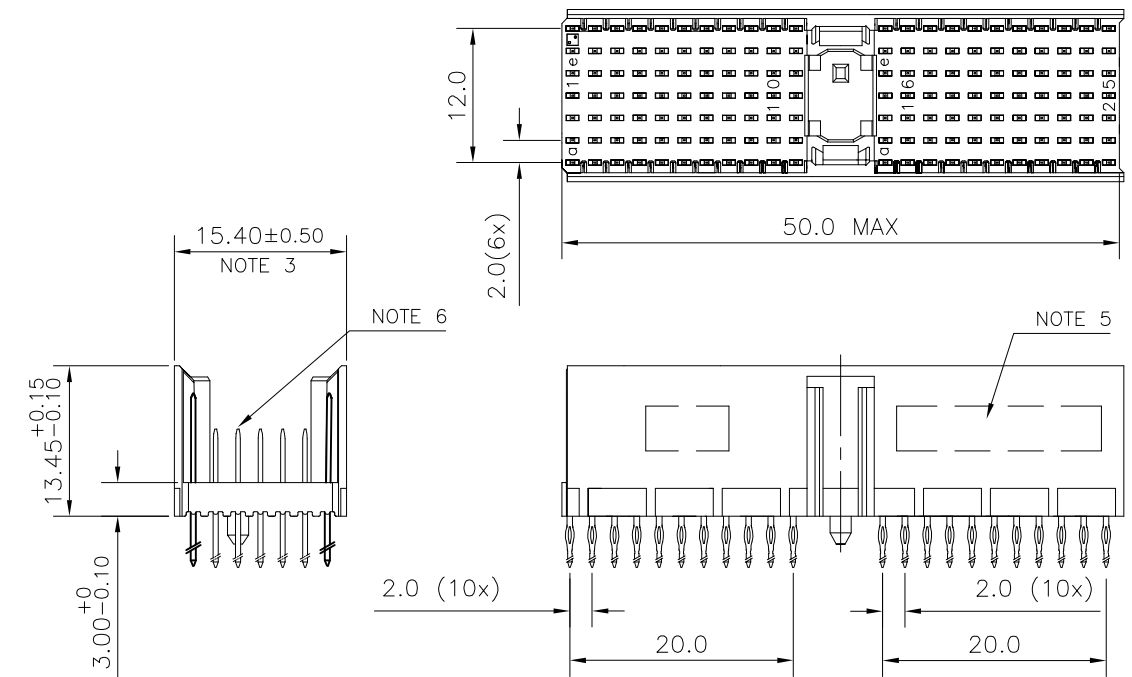


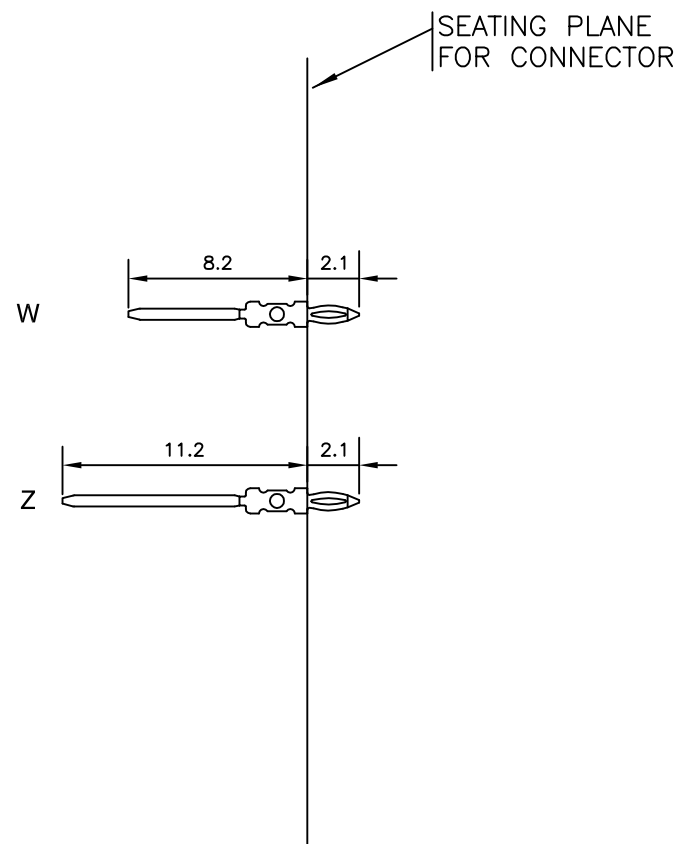
LOADING PATTERN MATING SIDE



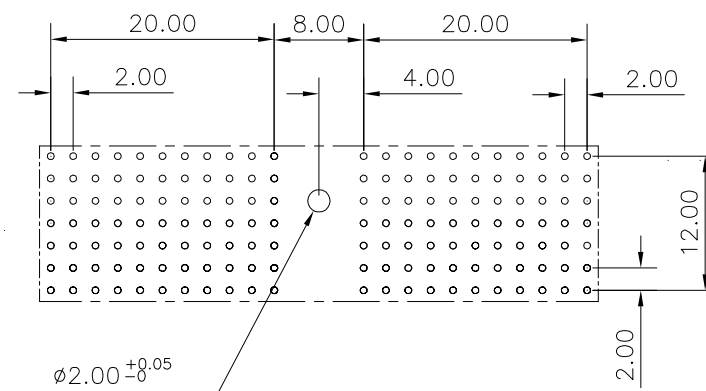
LOADED CONNECTOR ASSEMBLY (FOR EXAMPLE)



CONTACT OVERVIEW



LAY-OUT P.C.B.-HOLE



LEAD FREE INDICATOR : LF = LEAD FREE (DIGIT 15 & 16)

HM2P07PZ5111

PLATING CODE (DIGIT 13 AND 14) (REF DRW NO. BS,C , 201844 , 003)

NOTES

1. THIS PRODUCT IS CSA APPROVED.
2. THIS PRODUCT IS UL RECOGNIZED.
3. MEASURED AT THE BOTTOM.
4. FOR GENERAL DETAILS PLEASE REFER DRAWING: BS, C ,203028, 000
5. CONNECTOR PRINTED WITH P/N AND DATE CODE.
6. FOR ACTUAL CONTACT LOADINGS, SEE LOADING PATTERN MATING SIDE.
7. THIS PRODUCT MEETS EUROPEAN UNION DIRECTIVES AND OTHER COUNTRY REGULATIONS AS DESCRIBED IN GS-47-0004
8. FOR RECOMMENDED PTH DIMENSIONS REFER DRAWING : BS, A , 201572 , 001

CATALOG NO: HM2P07PZ5111----

| | | | | | |
|---------------------------|-------------|---------------------|-------------------------------|--|--|
| mat'l. code SEE NOTE 4 | | surface ISO 1302 | tolerance ISO 406 ISO 1101 | projection | product family MILLIPACS |
| ltr A | ecn no - | dr MINI | date 2018-07-14 | tolerances unless otherwise specified angles linear 0°±1° | title MPACS 5+2R STR HDR PF CONN TYPE A |
| sheet index | | revision sheet | A 1 | dr MINI K VANDANATH engr BINESH chr ALEX appd BIJU K PAUL | dwg no sheet 1 of 1 size A3 type Product Customer Drawing |