

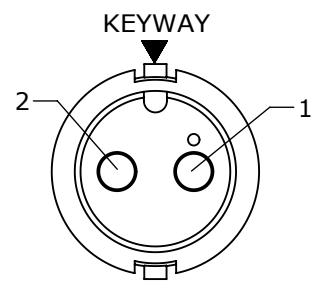
CUSTOMER PRINT

PART NUMBER: 6380-XSG-3XXW

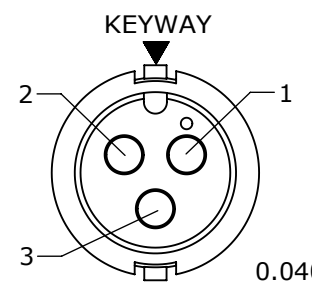
NOTES:
1. ALL PARTS TO BE BULK PACKED.

KIT P/N	GROMMET SIZE
6380-XSG-3DCW	DAISY CHAIN
6380-XSG-311W	CABLE O.D. .09-.14 [2.3-3.5mm]
6380-XSG-315W	CABLE O.D. .15-.17 [3.8-4.3mm]
6380-XSG-318W	CABLE O.D. .18-.20 [4.6-5.1mm]
6380-XSG-321W	CABLE O.D. .21-.23 [5.3-5.8mm]

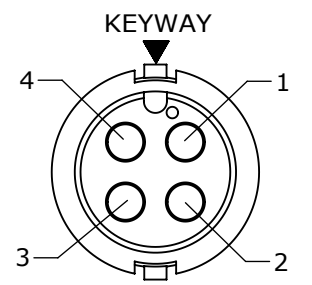
KIT P/N	NO. OF CONTACTS
6380-2SG-3XXW	2 #16
6380-3SG-3XXW	3 #16
6380-4SG-3XXW	4 #16
6380-5SG-3XXW	5 #16
6380-XSG-3XXW	



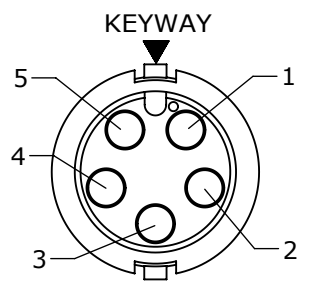
FACE VIEW
6380-2SG-3XXW



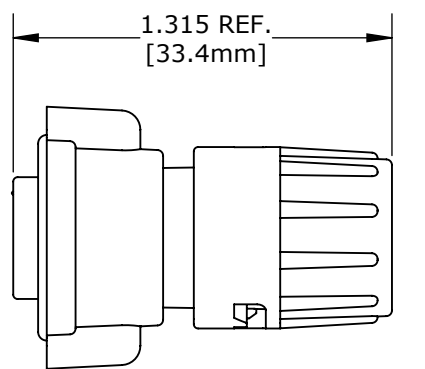
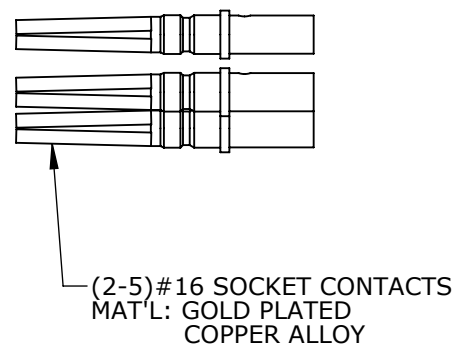
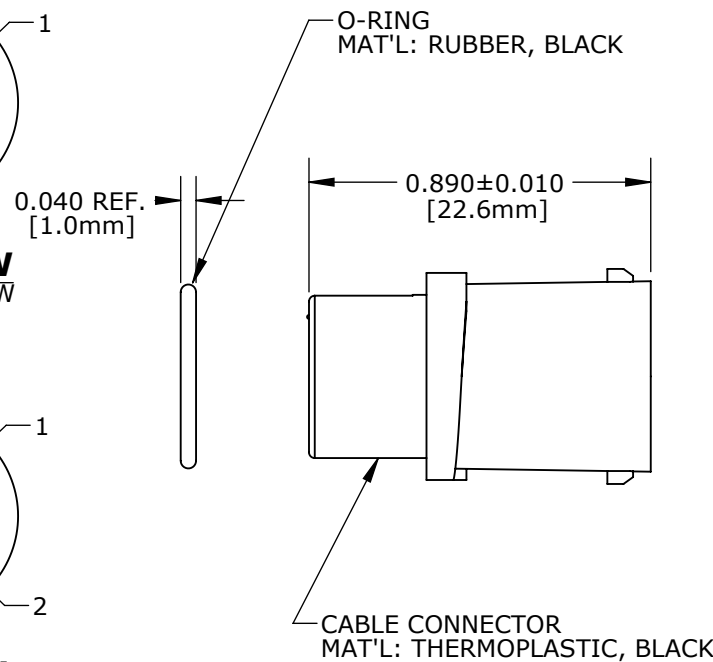
FACE VIEW
6380-3SG-3XXW



FACE VIEW
6380-4SG-3XXW



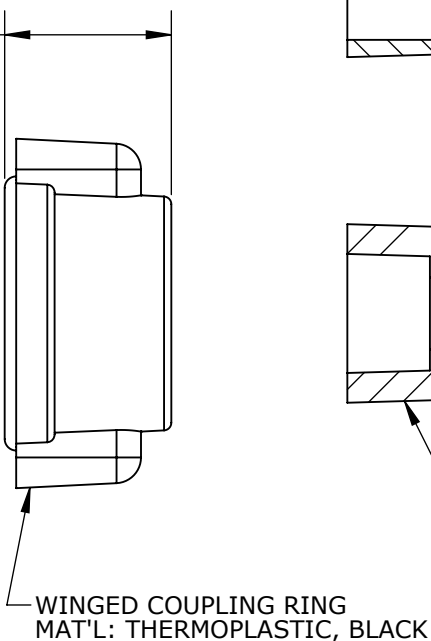
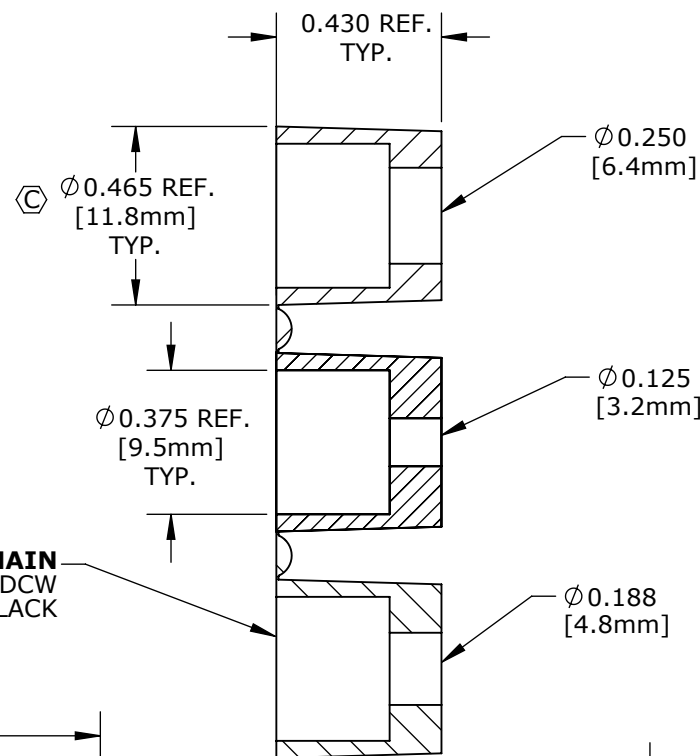
FACE VIEW
6380-5SG-3XXW



ASSEMBLED VIEW FOR CUSTOMER REFERENCE

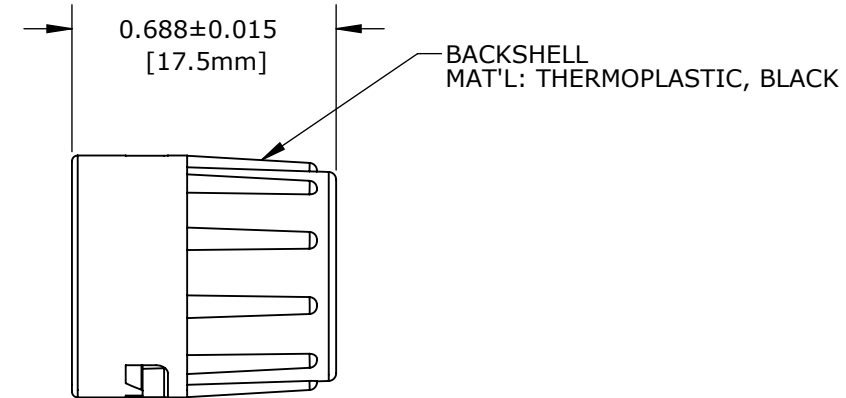
DIMENSIONS IN BRACKETS [] ARE METRIC

GROMMET, DAISY CHAIN
FOR 6380-XSG-3DCW
MAT'L: RUBBER, BLACK



SINGLE GROMMET
MAT'L: SANTOPRENE, BLACK

6380-XSG-311W (.125 I.D. FOR CABLES .09-.14 [2.3-3.5mm] O.D.)
6380-XSG-315W (.160 I.D. FOR CABLES .15-.17 [3.8-4.3mm] O.D.)
6380-XSG-318W (.190 I.D. FOR CABLES .18-.20 [4.6-5.1mm] O.D.)
6380-XSG-321W (.225 I.D. FOR CABLES .21-.23 [5.3-5.8mm] O.D.)



GROMMET SIZE FOR SINGLE GROMMET OR "DC" FOR DAISY CHAIN
NO. OF CONTACTS

CUSTOMER APPROVAL

THIS DOCUMENT CONTAINS CONFIDENTIAL INFORMATION PROPRIETARY TO CONXALL CORPORATION. ANY REPRODUCTION, DISCLOSURE, OR USE OF THIS DOCUMENT / INFORMATION IS EXPRESSLY PROHIBITED UNLESS AUTHORIZED IN WRITING BY CONXALL CORPORATION.

APPROVED BY: _____
DATE: _____

RoHS COMPLIANT

C	AN	11-04-13	GROMMET O.D. 0.465 WAS .475, COUPLING DIM. 0.434 WAS .442, ADDED MATERIALS AND ASSEMBLED VIEW. PER ECR 8561
B	AN	05-19-10	ADDED TOLERANCES ON INSERT AND BACKSHELL PER DOR 10-E211SL
A	AN	02-23-10	DRAWING CREATED PER DOR 10-E149SL
REV.	INIT.	DATE	DESCRIPTION
	AN	02-15-10	
<small>ALL INFORMATION ILLUSTRATED IS THE PROPERTY OF "CONXALL CORPORATION". UNAUTHORIZED DUPLICATION OR DISTRIBUTION OF THIS DOCUMENT IS PROHIBITED.</small>			<p>601 E. WILDWOOD VILLA PARK, IL 60181</p>
<small>ALL UNITS ARE IN FEET, INCHES, FRACTION OF INCHES AND DECIMALS.</small>			
APPROVED BY:		TITLE: CABLE CONNECTOR KIT 2-5 #16 SOCKET CONTACTS MINI-CON-X STANDARD PRODUCT	
SCALE: NTS	SIZE: B	SHEET: 1 OF 1	CUSTOMER: STANDARD PRODUCT
FILE: 6380-XSG-3XXW	DIRECTORY: SLW	PART NUMBER: 6380-XSG-3XXW	REV: c