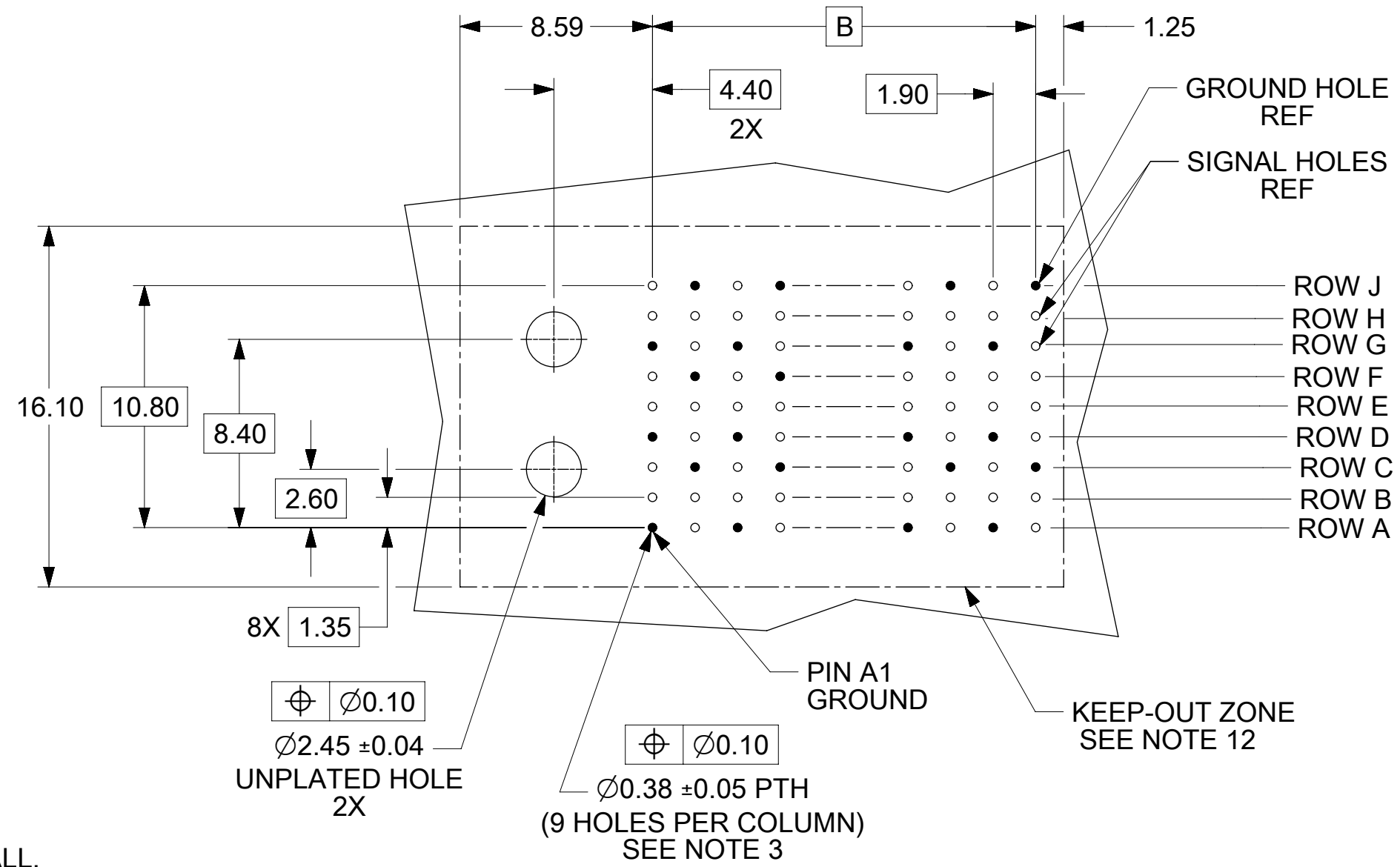
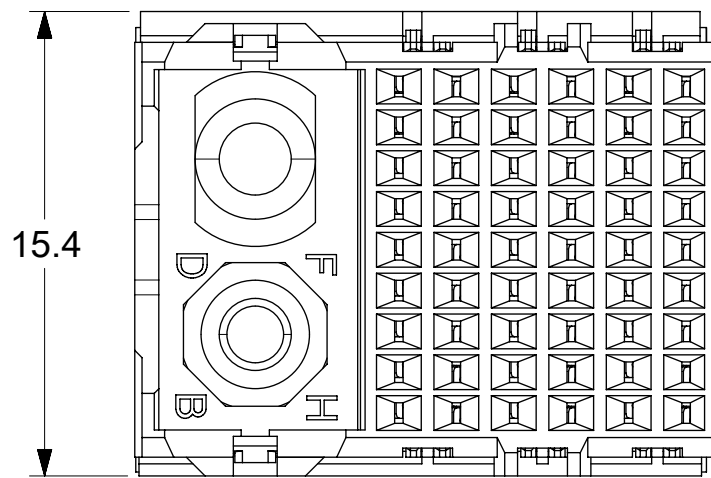
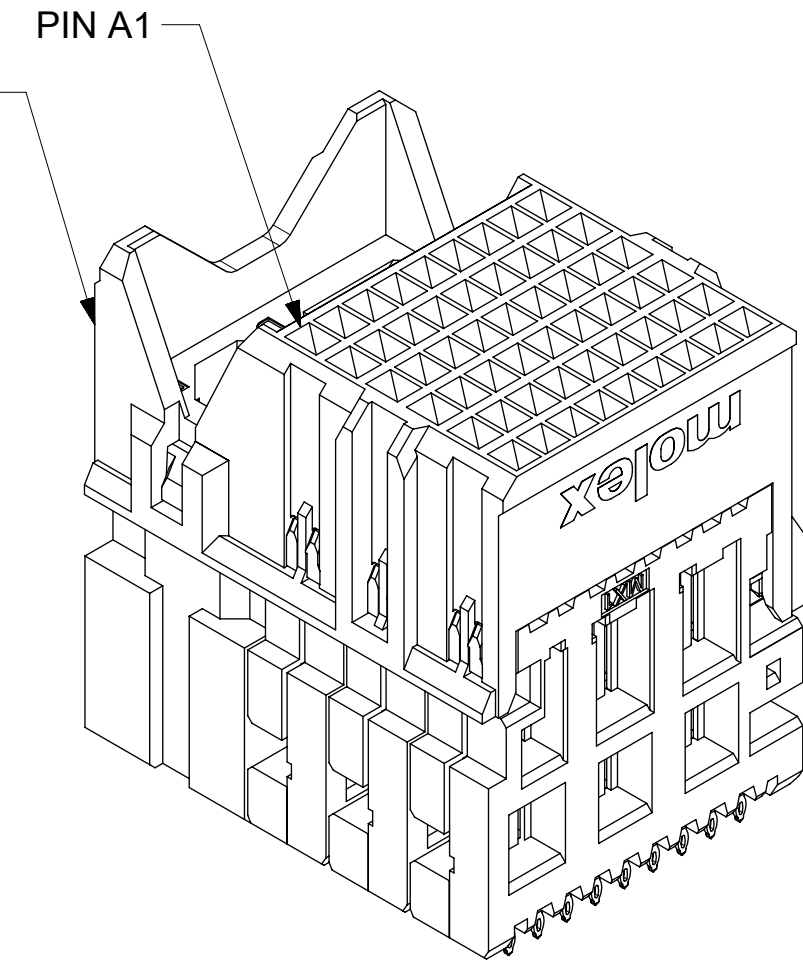


SEE NOTE 13

SEE NOTE 10



**VERTICAL FEMALE HOLE PATTERN
(CONNECTOR SIDE)**

NOTES:

1. MATERIALS: HOUSING - LIQUID CRYSTAL POLYMER (LCP) GLASS-FILLED, UL94V-0
TERMINALS - HIGH PERFORMANCE COPPER ALLOY
2. FINISH: 30µIN MIN GOLD IN CONTACT AREA. SELECTIVE TIN ON PCB TAILS. NICKEL OVERALL.
3. REFER TO MOLEX PRODUCT SPECIFICATION PS-76060-999 FOR PERFORMANCE SPECIFICATIONS AND ADDITIONAL PCB INFORMATION.
4. EACH SIGNAL WAFER CONTAINS 2 COLUMNS OF TERMINALS.
5. PRODUCT IS PACKAGED PER PK-70873-0051.
6. THIS PART CONFORMS TO CLASS B REQUIREMENTS OF COSMETIC SPEC PS-45499-002.
7. MATES WITH IMPACT BP SERIES 76162.
8. REFER TO MOLEX PCB ROUTING GUIDE AS-76060-990 FOR ANTIPAD AND ROUTING RECOMMENDATIONS.
9. SEE SHEET 2 FOR PART NUMBERS AND BOARD RELATIONSHIPS.
10. PART SHOWN IS 170415-3622 AND HAS AN OVERALL STACK HEIGHT OF 22MM. OTHER STACK HEIGHTS MAY BE AVAILABLE UPON REQUEST. KEYING FEATURES WILL CHANGE WITH COLUMN SIZE.
11. WHEN USING MOLEX SUPPLIED # 2-32 SCREW 73726-0000 (9.50 ±0.38 THREADABLE SCREW LENGTH), THE FUNCTIONAL BOARD THICKNESS IS 1.0mm TO 5.0mm.
12. "THESE DIMENSIONS REPRESENT THE AREA NEEDED TO ACCOMMODATE CONNECTOR INSERTION & REPAIR ON THE PC BOARD. THIS IS REFERRED TO AS THE "CONNECTOR KEEP OUT ZONE" AND DOES NOT REPRESENT THE ACTUAL PERIMETER OF THE CONNECTOR. WHEN LAYING OUT A PC BOARD WITH CONNECTORS STACKED TOGETHER, USE A 1.90mm PROGRESSION."
13. MARKING: LOCATED APPROXIMATELY AS SHOWN. PART NUMBER AND DATE CODE.

THIS DRAWING CONTAINS INFORMATION THAT IS PROPRIETARY TO MOLEX ELECTRONIC TECHNOLOGIES, LLC AND SHOULD NOT BE USED WITHOUT WRITTEN PERMISSION

DIMENSION UNITS	SCALE	CURRENT REV DESC: MIGRATED TO NX	
MM	NTS		
GENERAL TOLERANCES (UNLESS SPECIFIED)		EC NO: 705090	
ANGULAR TOL	± 0.5°	DRWN: TMARRI	2018/07/10
4 PLACES	±	CHK'D: DYARAS	2022/03/07
3 PLACES	±	APPR: LZENG	2022/05/13
2 PLACES	± 0.1	INITIAL REVISION:	
1 PLACE	± 0.25	DRWN: TPREMO	2012/05/17
0 PLACES	±	APPR: TELO	2013/01/22
DRAFT WHERE APPLICABLE MUST REMAIN WITHIN DIMENSIONS		THIRD ANGLE PROJECTION	DRAWING SERIES
			C-SIZE 170415
DOCUMENT STATUS		MATERIAL NUMBER	
P1	RELEASE DATE	2022/05/13	03:05:07
		SEE TABLE	GENERAL MARKET
		CUSTOMER	
		GENERAL MARKET	
		SHEET NUMBER	
		1 OF 2	

molex

3PR IMPACT MEZZANINE
100 OHM LEFT GUIDE SALES DRAWING

PRODUCT CUSTOMER DRAWING

DOCUMENT NUMBER DOC TYPE DOC PART REVISION

SD-170415-002 PSD 001 A3

MATERIAL NUMBER CUSTOMER SHEET NUMBER

SEE TABLE GENERAL MARKET 1 OF 2

DOCUMENT STATUS P1 RELEASE DATE 2022/05/13 03:05:07

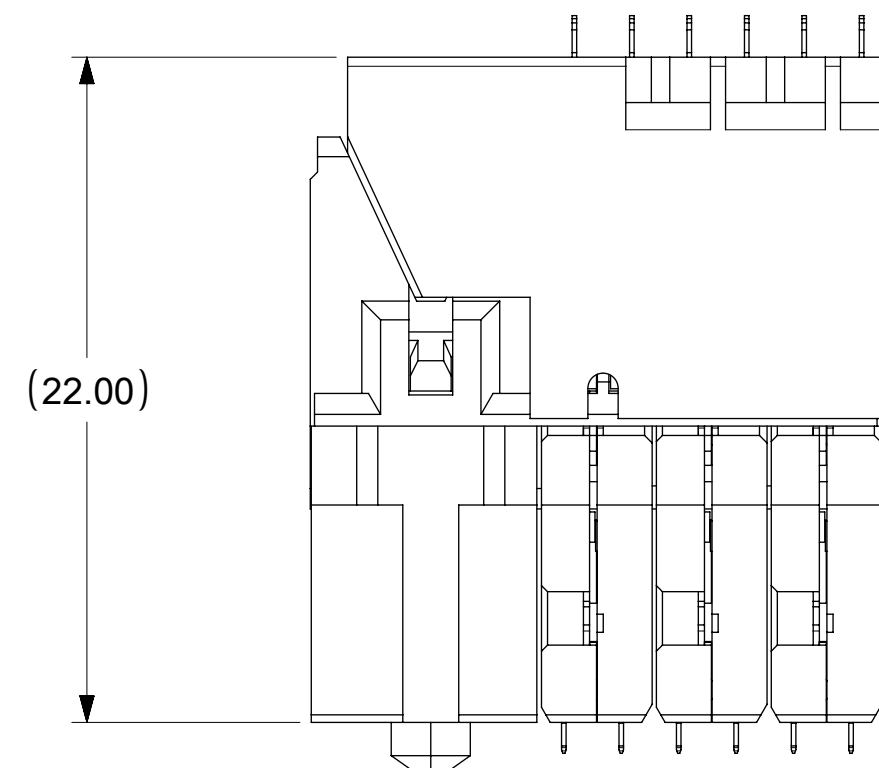
PART NUMBER	# OF COLUMNS	# OF DIFF PAIR	DIM "A"	DIM "B"
170415-3622	6	18	19.0	9.50
170415-3822	8	24	22.8	13.30
170415-3122	10	30	26.6	17.10
170415-3922	16	48	38.0	28.50

170415-3*22

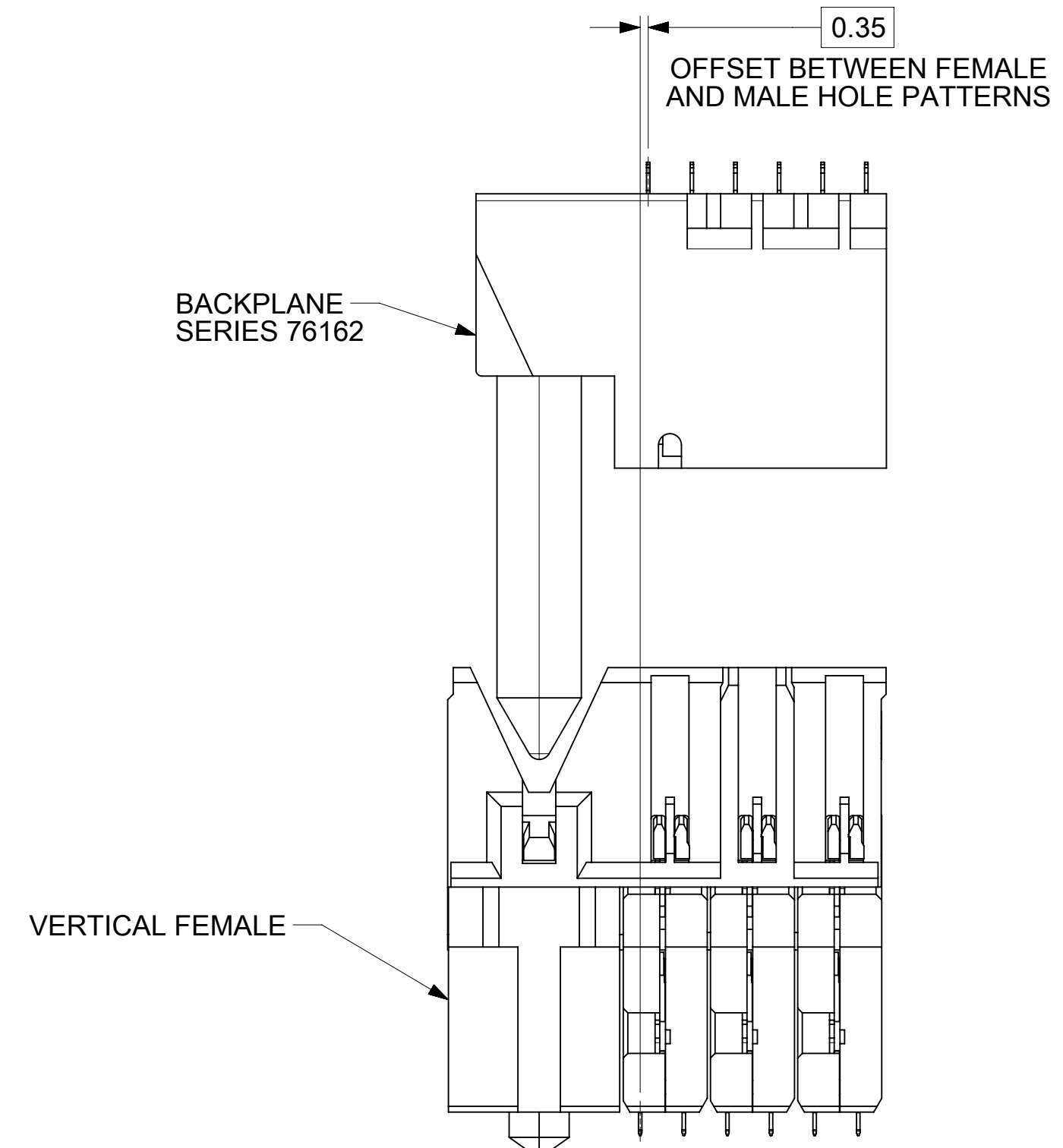
3 = GUIDE LEFT LEAD-FREE

STACK HEIGHT
22 = 22mm

OF COLUMNS
6 = 6 COL 0.39 PTH
8 = 8 COL 0.39 PTH
1 = 10 COL 0.39 PTH
9 = 16 COL 0.39 PTH



FULLY MATED



THIS DRAWING CONTAINS INFORMATION THAT IS PROPRIETARY TO MOLEX ELECTRONIC TECHNOLOGIES, LLC AND SHOULD NOT BE USED WITHOUT WRITTEN PERMISSION

DIMENSION UNITS	SCALE	CURRENT REV DESC: MIGRATED TO NX		molex			
MM	NTS			3PR IMPACT MEZZANINE 100 OHM LEFT GUIDE SALES DRAWING			
GENERAL TOLERANCES (UNLESS SPECIFIED)		EC NO: 705090		PRODUCT CUSTOMER DRAWING			
ANGULAR TOL	± 0.5°	DRWN: TMARRI	2018/07/10	DOCUMENT NUMBER			
4 PLACES	±	CHK'D: DYARAS	2022/03/07	SD-170415-002		DOC TYPE	DOC PART
3 PLACES	±	APPR: LZENG	2022/05/13	PSD		001	REVISION
2 PLACES	± 0.1	INITIAL REVISION:		A3			
1 PLACE	± 0.25	DRWN: TPREMO	2012/05/17	MATERIAL NUMBER			
0 PLACES	±	APPR: TELO	2013/01/22	SEE TABLE		CUSTOMER	
DRAFT WHERE APPLICABLE MUST REMAIN WITHIN DIMENSIONS		THIRD ANGLE PROJECTION	DRAWING	SERIES	GENERAL MARKET		SHEET NUMBER
			C-SIZE	170415			2 OF 2

DOCUMENT STATUS	P1	RELEASE DATE	2022/05/13	03:05:07
12	11	10	9	8
7	6	5	4	3
2	1			