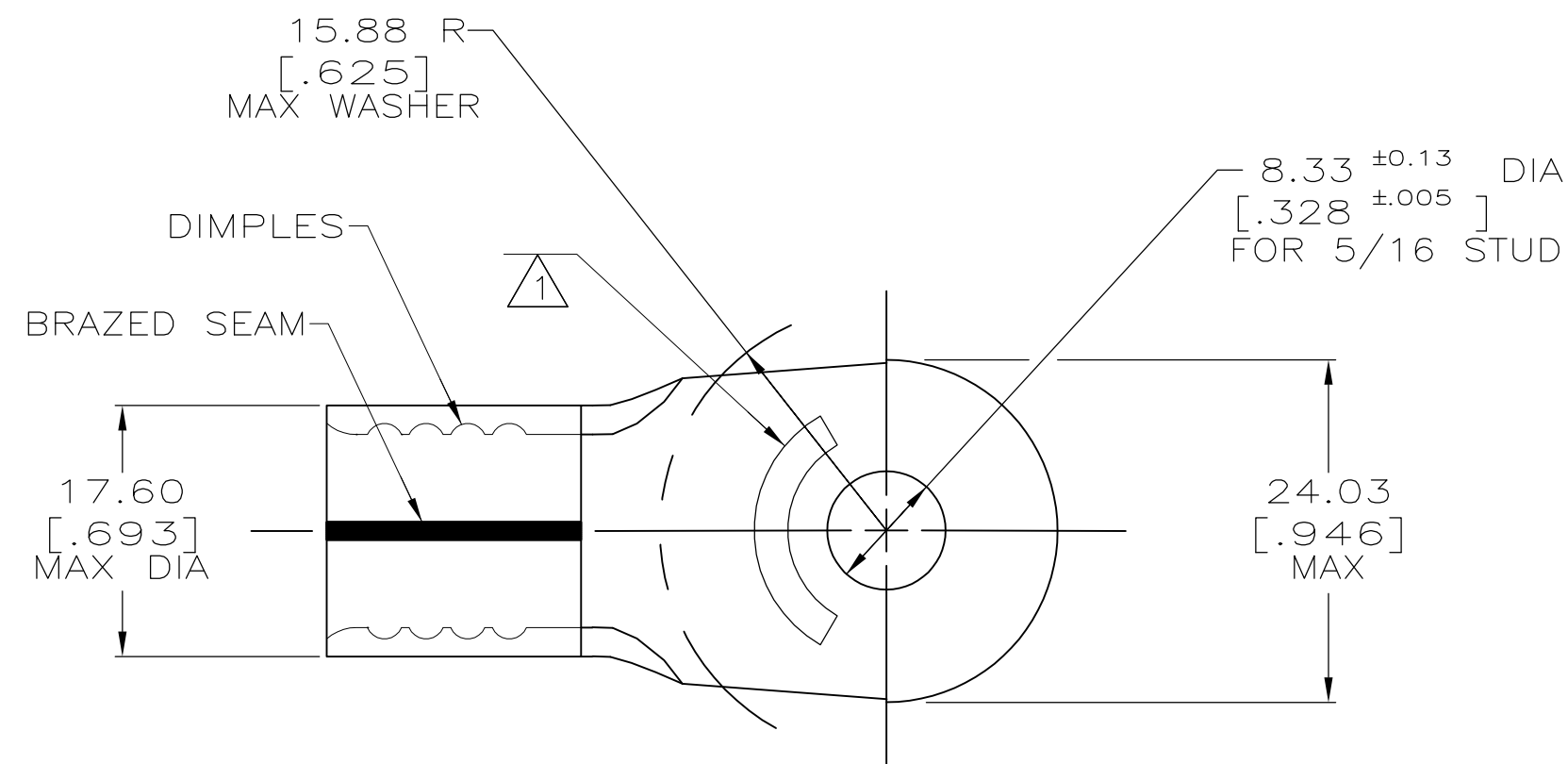


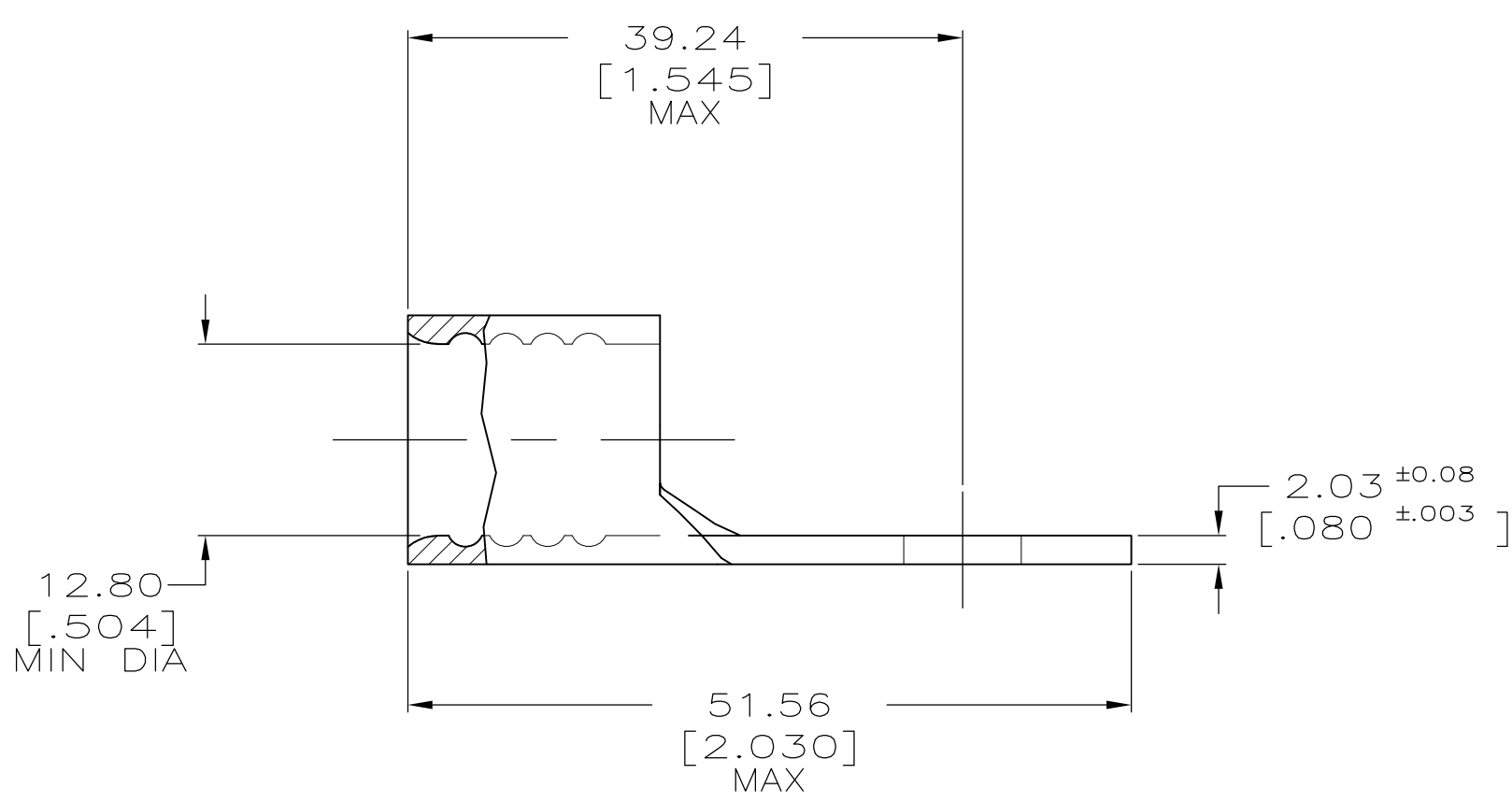
THIS DRAWING IS UNPUBLISHED. RELEASED FOR PUBLICATION
 © COPYRIGHT BY TYCO ELECTRONICS CORPORATION. ALL INTERNATIONAL RIGHTS RESERVED.

LOC	DIST	REVISIONS			
P	LTR	DESCRIPTION	DATE	DWN	APVD
G	14	L	REV PER ECR 10-000722	22JAN10	JR TM



AMP WIRE RANGE	Listed FILE E13288	LR7189 Certified
2/0 AWG SOLID OR STRANDED	2/0 AWG STRANDED	2/0 AWG SOLID OR STRANDED

- ① STAMP AMP 2/0W* APPROX AS SHOWN
- ② TIN PLATE 0.00254[.000100] MIN THK EXT PER ASTM B-545



50	LOOSE PIECE	36922
QTY	PACKAGING TYPE.	PART NO.

AMP INCORPORATED CUSTOMER SERVICE SYSTEMS		MAX RECOMMENDED OPERATING TEMPERATURE: 170° MAX		THIS DRAWING IS A CONTROLLED DOCUMENT.		DWN DK SCHRUM 1/14/94 CHK AJ KAUFMAN 1/19/94 APVD JL MECKLEY 1/19/94		Tyco Electronics Corporation Harrisburg, PA 17105-3608							
		FOR ADDITIONAL PRODUCT INFORMATION OR COPIES OF DRAWINGS AND TECHNICAL DOCUMENTS PRODUCT INFORMATION CENTER 1-800-522-6752		VOLTAGE RATING: N/A		DIMENSIONS: MM [INCHES]		TOLERANCES UNLESS OTHERWISE SPECIFIED: 0 PLC ± - 1 PLC ± - 2 PLC ± 0.20[.008] 3 PLC ± - 4 PLC ± - ANGLES ± -		NAME TERMINAL, RING TONGUE, SOLISTRAND					
FOR APPLICATION TOOLING ASSISTANCE CENTER 1-800-722-1111		CIRCULAR MIL AREA: 60.6-76.3mm² [119,500-150,500] SOLID OR STRANDED		MATERIAL COPPER PER ASTM B-152 ANNEALED		FINISH - ②		SIZE A2		CAGE CODE 00779		DRAWING NO C-36922		RESTRICTED TO -	
FOR ORDER ENTRY 1-800-526-5142		THIS DRAWING IS A CONTROLLED DOCUMENT FOR AMP INCORPORATED. IT IS SUBJECT TO CHANGE AND THE CONTROLLING ENGINEERING ORGANIZATION SHOULD BE CONTACTED FOR THE LATEST REVISION.		CUSTOMER DRAWING		SCALE 2:1		SHEET 1 of 1		REV L					