



- Solid base for stable mounting
- Fixed pins for easy PCB insertion
- Operating Temperature Range: -25°C to +120°C
- Storage Temperature Range: -20°C to +60°C

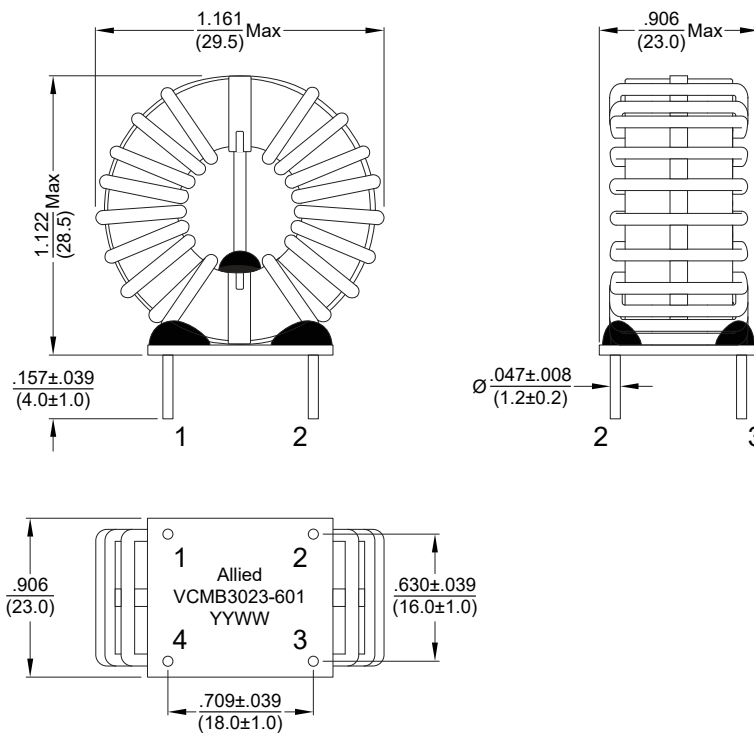


Electrical Specifications @25°C			
Inductance @ 10KHz, 0.25V N1 = N2	DCR (mΩ) Typ	Rated Current (A)	HiPot VAC / 5mA / 1Sec Wdg - Wdg
600μH ±35%	5.3	15	1500

All specifications subject to change without notice.

MECHANICAL

Dimensions: $\frac{\text{inch}}{\text{(mm)}}$



SCHEMATICS

