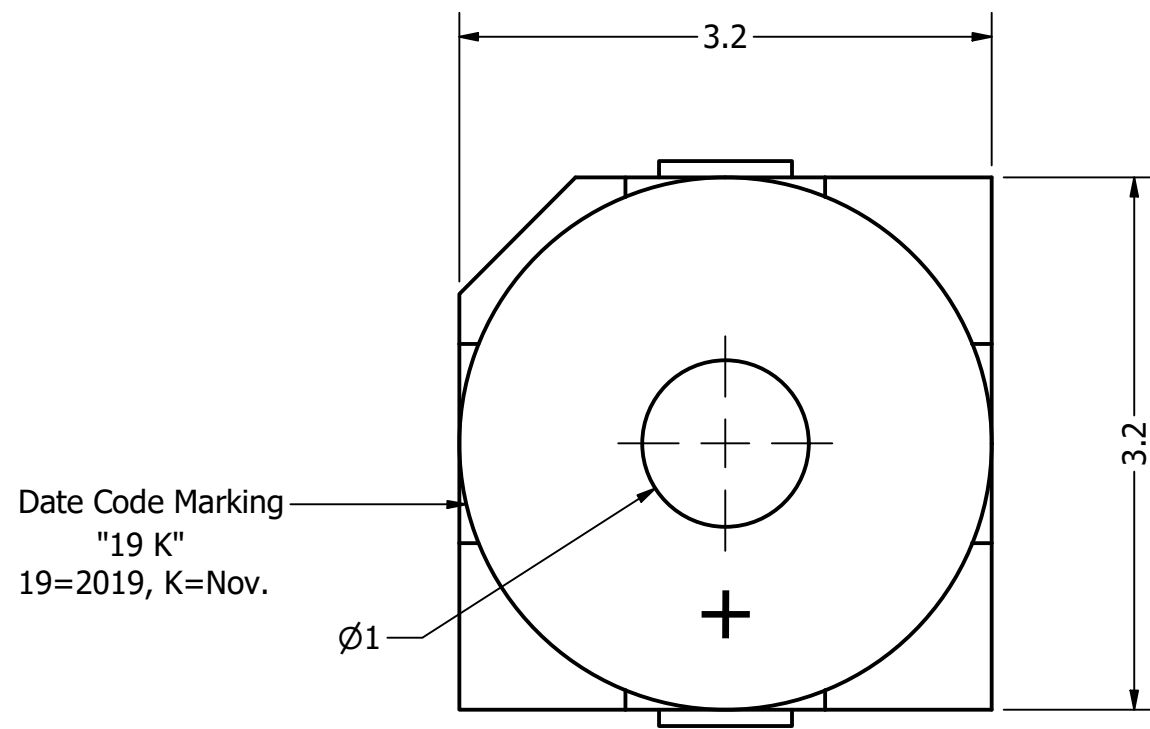


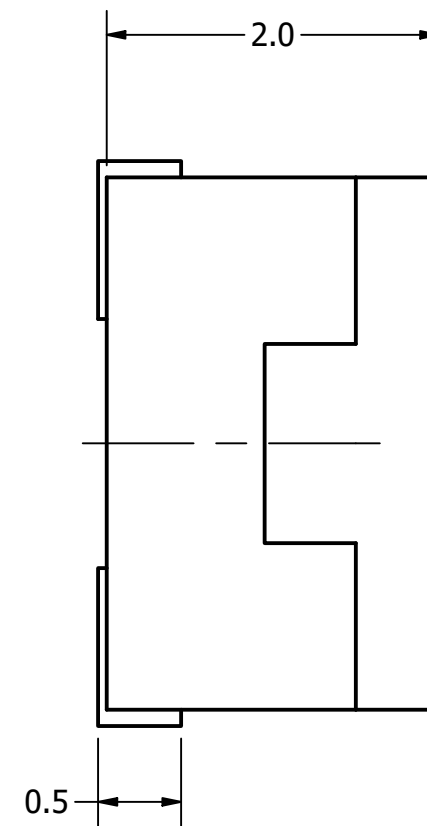
Part Number:	TE034003-1	
DESCRIPTION:	Electro-Mechanical Transducer	
DRAWN	CJ	11/12/2019
CHECKED	J.S.	11/12/2019
APPROVED	C.E.	11/12/2019

This document contains data proprietary to DB Unlimited. Any use or reproduction, in any form, without prior written permission of DB Unlimited is prohibited. All terms and conditions can be found at [www.dbunlimitedco.com](http://www.dbunlimitedco.com)

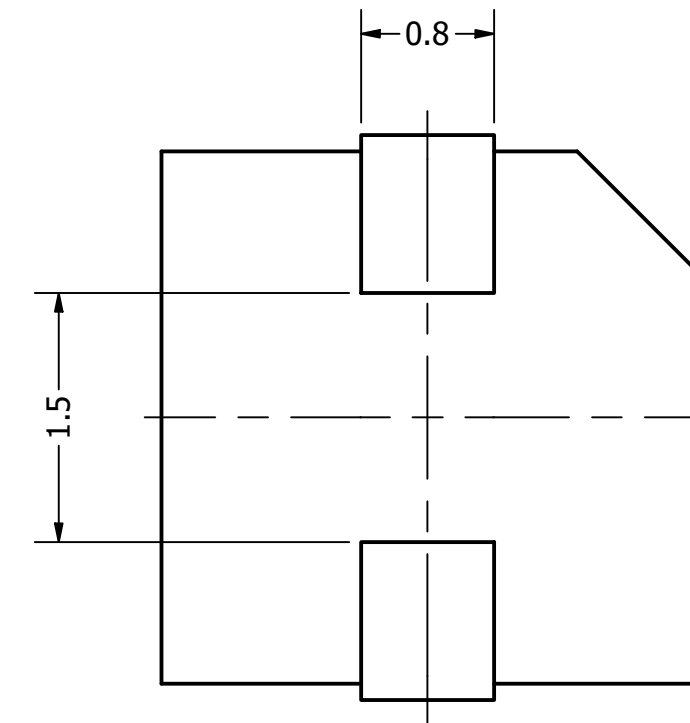
Top View



Side View



Bottom View



Items	Specifications	Conditions
Min. Sound Pressure Level	>64	dB (@ 10cm)
Resonant Frequency	4,000	Hz
Rated Voltage	3	V
Voltage Range	2 ~ 4	V
Coil Resistance	12	Ω
Max. Rated Current	120	mA
Storage Temperature	-30 ~ +80	°C
Operating Temperature	-20 ~ +70	°C
Connection Method	Surface Mount Pads	
Mount Type	Surface Mount	
Housing Material	LCP	
Weight	0.1	g

REVISION HISTORY			
REV	DESCRIPTION	DATE	APPROVED
	Released from Engineering	11/12/2019	J.S.

NOTES			
1) All dimensions are in mm unless otherwise noted			
2) All tolerances are ± 0.3 mm unless otherwise noted			
3) All parts meet RoHS			
4) Subject to change or redrawn without notice			