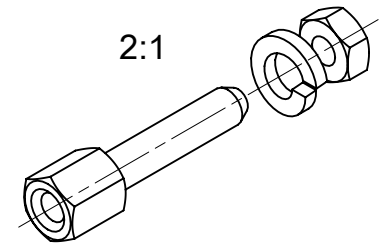


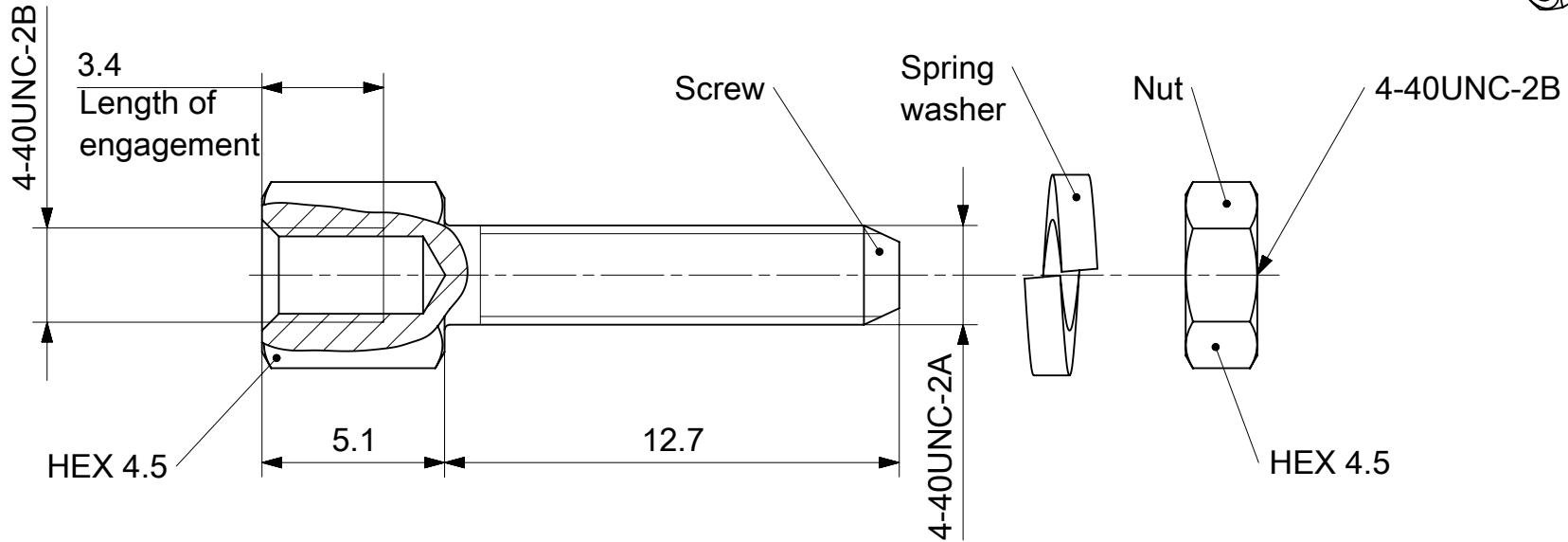
6 5 4 3 2 1

D

D



2:1



RoHS compliant  
by exemption

C

C

B

B

1731121183	F-GSCH1/5-K521	Brass	Nickel plated	1	-	1	1
Material Number	FCT Part Number	Material	Surface	Screw (pc.)	Washer (pc.)	Spring washer (pc.)	Nut (pc.)

UNLESS OTHERWISE SPECIFIED DIMENSIONS FOR REFERENCE ONLY      REPLACEMENT FOR DOCUMENT NUMBER: F62M054\_D

FUNCTIONAL SYMBOLS $\frac{F}{A} = 0$ $\frac{F}{E} = 0$ $\frac{F}{P} = 0$	THIS DRAWING CONTAINS INFORMATION THAT IS PROPRIETARY TO MOLEX ELECTRONIC TECHNOLOGIES, LLC AND SHOULD NOT BE USED WITHOUT WRITTEN PERMISSION		CURRENT REV DESC:		<p>FCT F-GSCH1/5-K521 4-40/4-40 FEMALE SCREW LOCK</p> <p>PRODUCT CUSTOMER DRAWING</p>				
	DIMENSION UNITS	SCALE	EC NO: 731759						
	mm	5:1	DRWN: MSTEINBRUECK	2022/02/17					
	GENERAL TOLERANCES (UNLESS SPECIFIED)		CHK'D: MTEUBEL	2022/12/12					
ANGULAR TOL ± °		APPR: MTEUBEL	2022/12/12	INITIAL REVISION:		DOCUMENT NUMBER	DOC TYPE	DOC PART	REVISION
4 PLACES ±		DRWN: SKANDB		2021/08/27	1731121183		PSD	000	A1
3 PLACES ±		APPR: MTEUBEL		2021/11/22	MATERIAL NUMBER		CUSTOMER		SHEET NUMBER
2 PLACES ±		DRAFT WHERE APPLICABLE MUST REMAIN WITHIN DIMENSIONS		FIRST ANGLE PROJECTION	DRAWING	SERIES	GENERAL MARKET		1 OF 1
1 PLACE ±		A4-SIZE		173112	SEE TABLE				
0 PLACES ±									

Generally twice a material number respectively FCT part number is needed per connector.

Packaging specification: 1731120003-PK

A

A

DOCUMENT STATUS	P1	RELEASE DATE	2022/12/12	10:20:42
-----------------	----	--------------	------------	----------

6

5

4

3

2

1

FORMAT: master-ib-prod-A4  
REVISION: J  
DATE: 2020/01/14