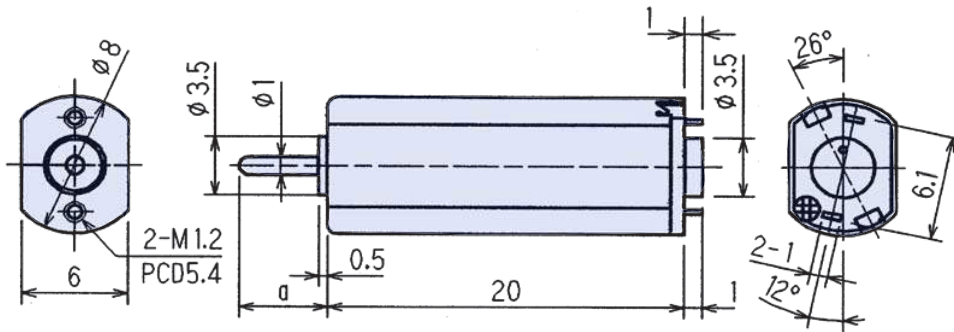


PNN13



Weight: 3.8 g

Outline UNIT:mm



Specifications

| Model | Operating Voltage (V) | Rated Voltage (V) | No Load Speed (min ⁻¹) | No Load Current (mA) | Rated Load | | Rated Load Speed (min ⁻¹) | Rated Load Current (mA) | Starting Torque | | Starting Current (mA) | Shaft Length (mm) |
|-------------|-----------------------|-------------------|------------------------------------|----------------------|------------|--------|---------------------------------------|-------------------------|-----------------|--------|-----------------------|-------------------|
| | | | | | (gf·cm) | (mN·m) | | | (gf·cm) | (mN·m) | | |
| PNN13RB08RD | 1 to 3.5 | 3.0 | 12213 | 32 | 1.0 | 0.1 | 9765 | 81 | 5.1 | 0.5 | 280 | a=6.9 |
| PNN13RE85HD | 1 to 3.5 | 3.0 | 13950 | 34 | 1.0 | 0.1 | 11525 | 91 | 5.9 | 0.6 | 361 | a=6.0 |
| PNN13RE09HD | 1 to 3.5 | 3.0 | 16426 | 42 | 1.0 | 0.1 | 13833 | 109 | 6.5 | 0.6 | 467 | a=6.0 |
| PNN13RE09JD | 1 to 3.5 | 3.0 | 16426 | 42 | 1.0 | 0.1 | 16426 | 109 | 6.5 | 0.6 | 467 | a=10.5 |

Characteristics

