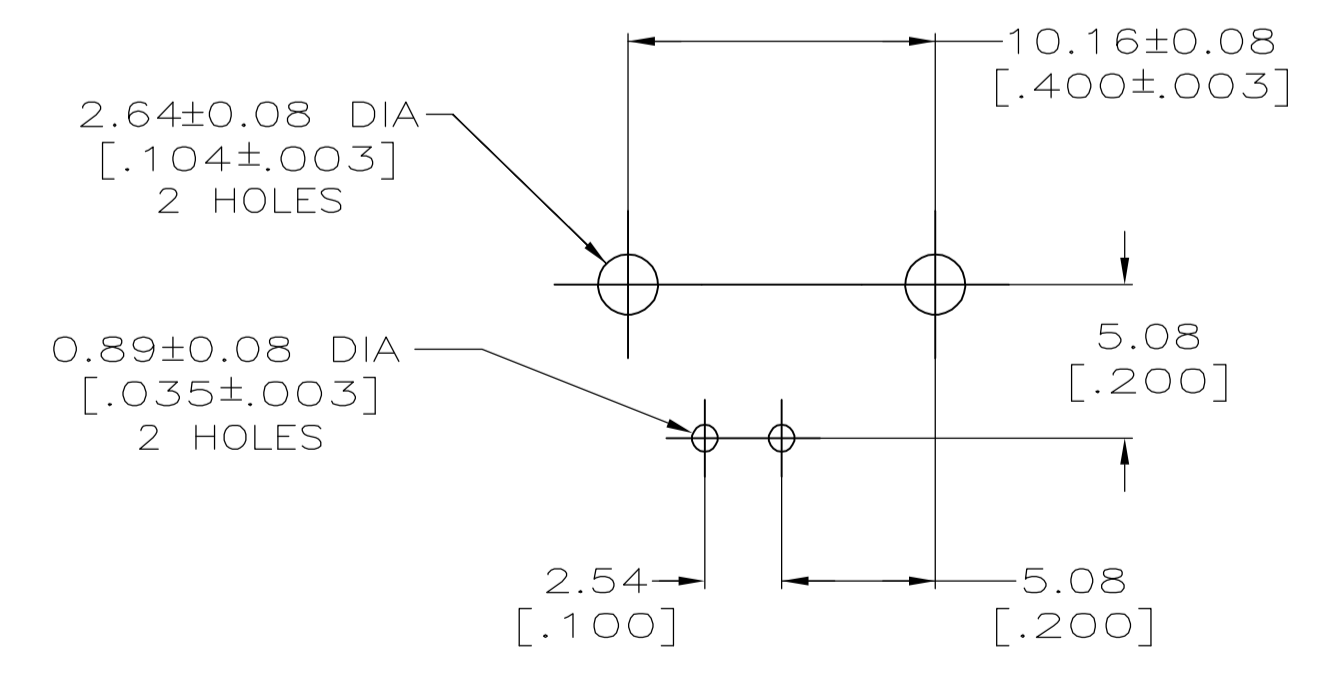
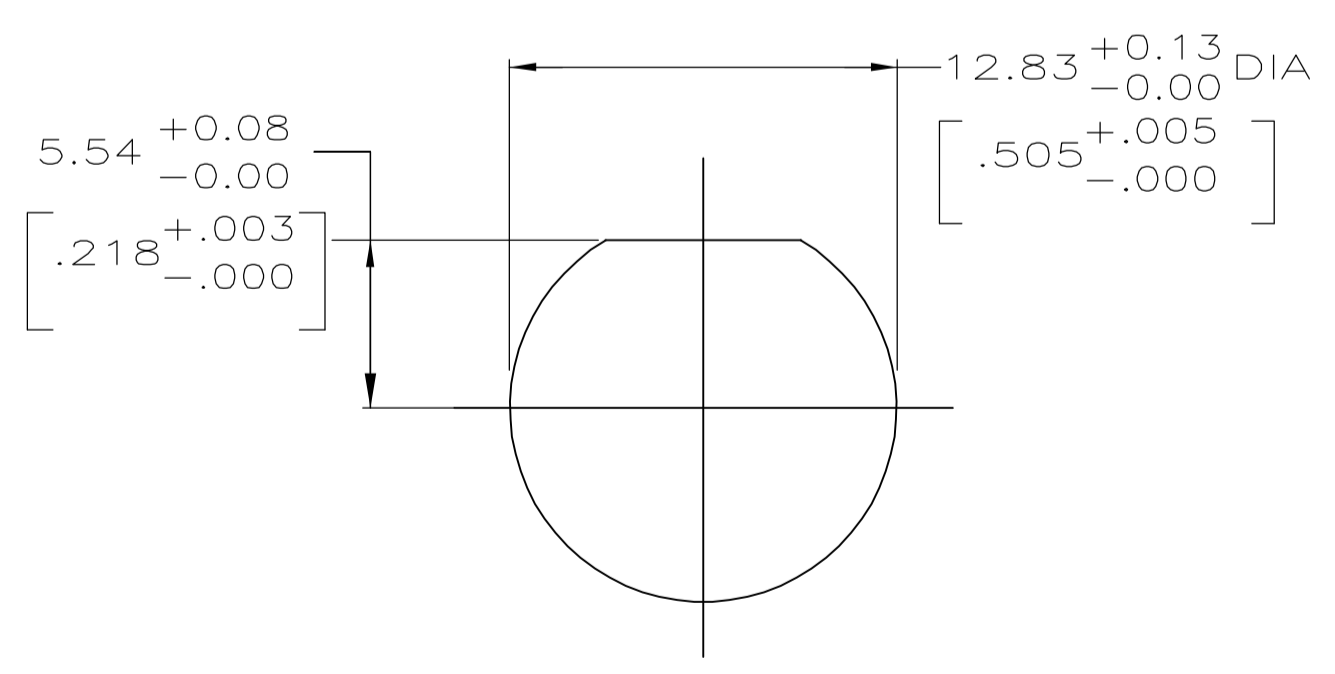
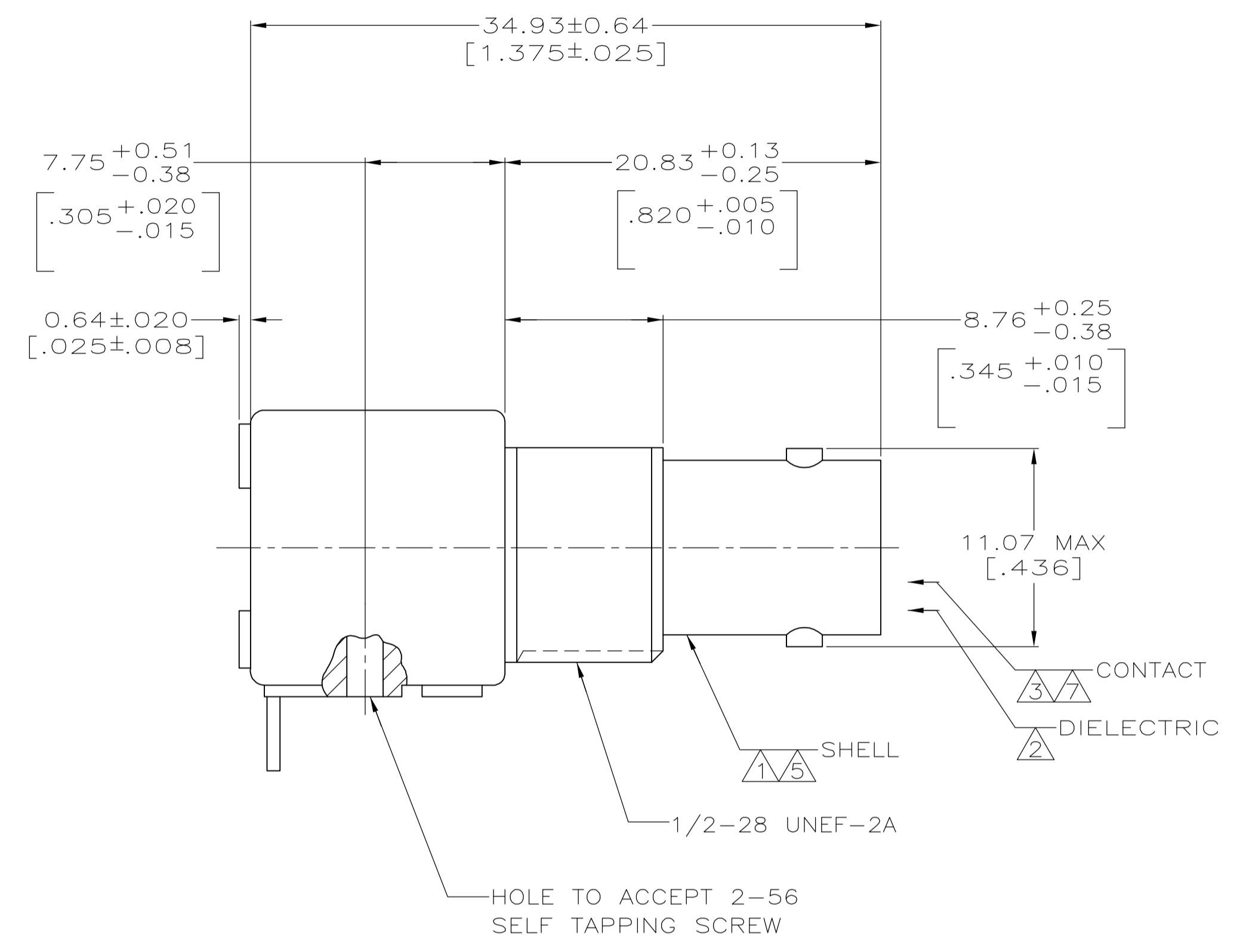
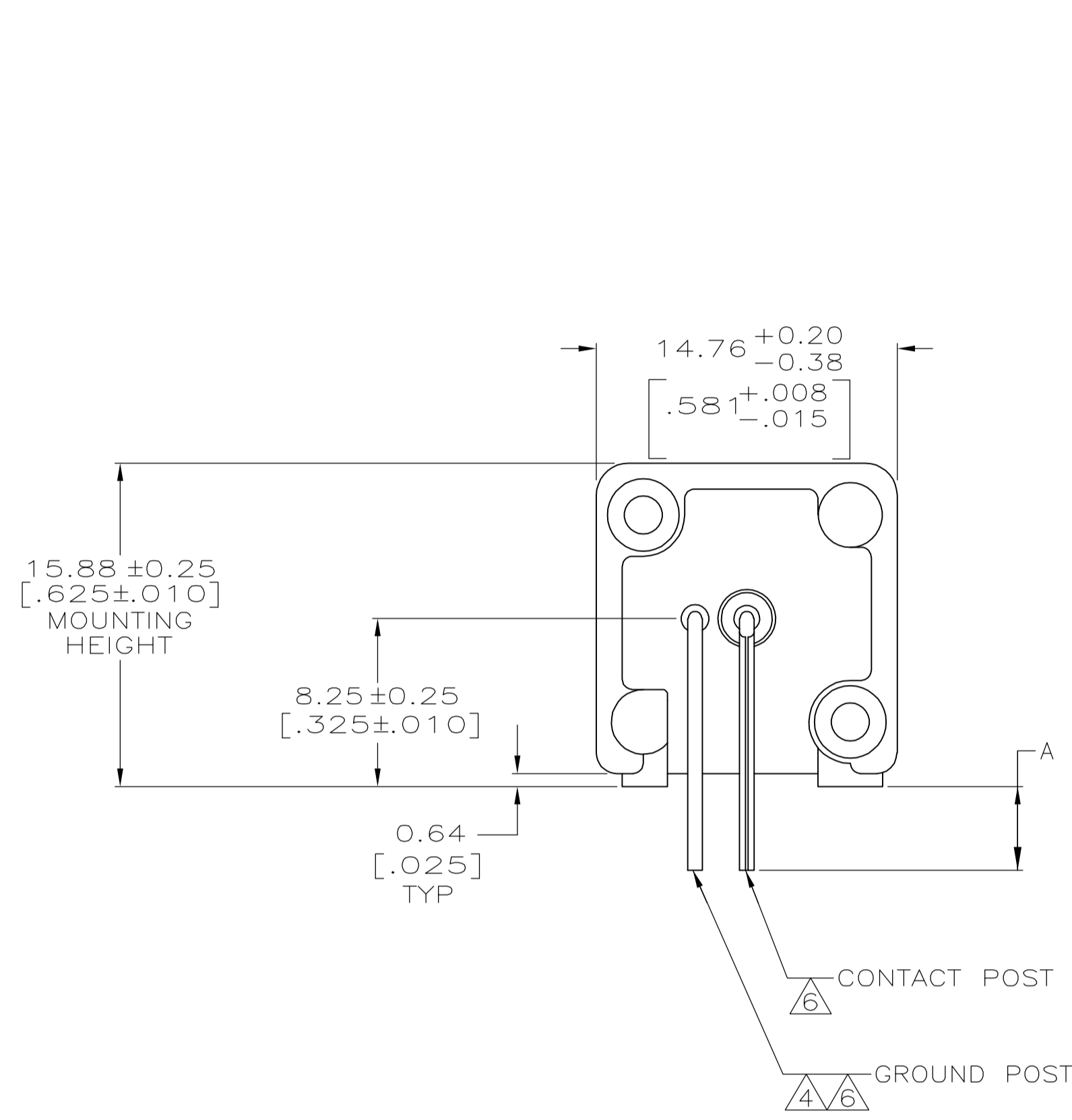


- ① ZINC PER QQ-Z-363.
- ② POLYMETHYLPENTENE, GENERAL PURPOSE.
- ③ PHOSPHOR BRONZE PER QQ-B-750.
- ④ BRASS PER ASTM-B-453.
- ⑤ NICKEL PLATE PER QQ-N-290, 3.81 μm [.000150] MINIMUM THICK.
- ⑥ TIN PLATE PER ASTM-B-545, 3.81 μm [.000150] MINIMUM THICK.
- ⑦ GOLD PLATE PER MIL-G-45204, 0.76 μm [.000030] MINIMUM THICK.
- 8. SEE INSTRUCTION SHEET 2769.



2.79 ±0.25 [.110 ±0.010]	227676-2
4.1 ±0.43 [.162 ±0.017]	227676-1
A	PART NUMBER

THIS DRAWING IS A CONTROLLED DOCUMENT.		DIN J. LIPPERT 6-25-92	Tyco Electronics Corporation Harrisburg, PA 17105-3608
DIMENSIONS: INCHES		CHK A. GABANY 6-26-92	
TOLERANCES UNLESS OTHERWISE SPECIFIED:		APVO A. GABANY 6-26-92	NAME
0 PLC ± -	1 PLC ± -	PRODUCT SPEC	JACK, RIGHT ANGLE, PCB
2 PLC ± 0.05 [.002]	3 PLC ± -	APPLICATION SPEC	50 OHM, SERIES BNC
4 PLC ± -	ANGLES ± -	SIZE	A1
MATERIAL	FINISH	WEIGHT	CAGE CODE
			00779
CUSTOMER DRAWING		SCALE	DRAWING NO
		4:1	227676
		SHEET	RESTRICTED TO
		1 OF 1	-
		REV	E