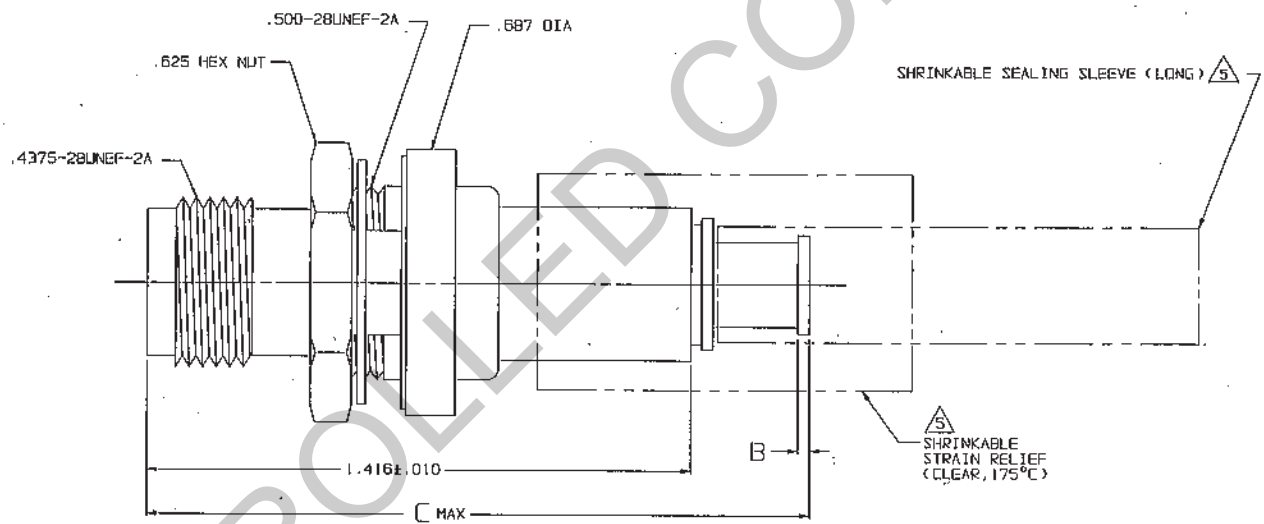


DATA CONTAINED IN THIS DOCUMENT IS PROPRIETARY TO TROMPETER ELECTRONICS INC. AND SHALL NOT BE DISCLOSED, COPIED OR USED FOR PROCUREMENT OR MANUFACTURE WITHOUT EXPRESS WRITTEN PERMISSION.

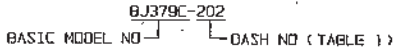
REV		EQ	DESCRIPTION	DWN	APPROVED	DATE
P	12085		-306 TAI-218 WAS TAI-168; ADDED -308 & -309; SEE ECO	DKC		

DASH NO	CABLES ACCOMMODATED	A HEX	B OIM	C MAX	ASSEMBLE PER
-201	M17/176-00002	.344	.030	1.80	TAI-166
-202	TWC-70-1				
-203	TWC-124-1A				
-204	10602, RAYCHEM				
-205	TWAC-70-1F2				
-206	702600130, RAYCHEM				
-207	83310, BELDEN				
-208	202-3927, MICRODOT				
-209	202-3942, MICRODOT				
-210	8451, BELDEN				
-211	202-3934, MICRODOT	1.55	TAI-138		
-212	2524E0114, RAYCHEM				
-213	TWC-70-2				
-214	TWC-124-2				
-215	6L982, TIMES				
-216	BL1242, TIMES				
-217	GC875TM24H, GRUMMAN				
-218	EOP221BBB, RAYCHEM				
-219	252601114, RAYCHEM				
-220	GC875RR1, GRUMMAN			1.80	TAI-166
-221	10614, RAYCHEM				
-222	10613, RAYCHEM				
-223	HMS2-1149, HUGHES				
-301	GC875GC1, GRUMMAN				
-302	GC875GB1, GRUMMAN				
-303	752BA5314 RAYCHEM				
-304					
-305	M17/177-00001 THERMATICS	TAI-218			
-306	TRC-50-2 M17/134-00002				
-307	TRC-75-1		TAI-168		
-308	TRC-75-2		TAI-218		
-309	TRC-50-1		TAI-168		



FOR TOOL CRIMP CONNECTOR QUALIFIED TO MIL-C-49142 SEE DRAWING 3-0299 (BJ379MC)

6. EXAMPLE OF COMPLETE MODEL NO:



1 SHRINKABLE STRAIN RELIEF AND/OR SHRINKABLE SEALING SLEEVE SUPPLIED LOOSE AS FOLLOWS:

- a. CABLE GROUPS -201 THROUGH -210, -217 THROUGH -303, -305, -307 & -309
  - 1 SHRINKABLE STRAIN RELIEF (1.00 LONG)
  - 1 SHRINKABLE SEALING SLEEVE (1.25 LONG)
- b. CABLE GROUPS -211 THROUGH -216, -306 & -308
  - 1 SHRINKABLE STRAIN RELIEF (1.75 LONG)

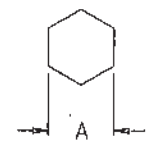
4. MAX PANEL THK .109

3. CONCENTRIC TWINAX/TRIAX TRT, FULL CRIMP BULKHEAD MOUNT CABLE RECEPTACLE

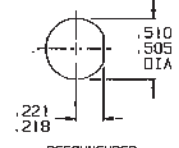
2. FINISH; TFS-1A (NICKEL)

1. ALL DIMENSIONS ARE IN INCHES

-202 SHOWN



RECOMMENDED  
HEX CRIMP  
SCALE: 2/1



RECOMMENDED  
PANEL CUTOUT  
SCALE: 1/1

INCH	MM
.005	0.13
.010	0.25
.030	0.76
.109	2.77
.218	5.54
.221	5.61
.344	8.74
.505	12.83
.510	12.95
.625	15.88
.687	17.45
1.00	25.40
1.25	31.75
1.416	35.97
1.85	39.37
1.75	44.45
1.80	45.72

QTY	DESCRIPTION	PART NUMBER	ITEM
TOL UNLESS SPECIFIED XX ± XXX ±.005 XXXX ± UNLESS	<b>TROMPETER</b> RF connectivity	BJ379C	
DWN CHK ENGR APPR	DKC B-1-97 MATERIAL CODE IDENT 14949	DRAWING NO. 3-0208	REV P
NEXT ASSY	SCALE 4/1	DATE 11/1/88	SHEET 1 OF 2