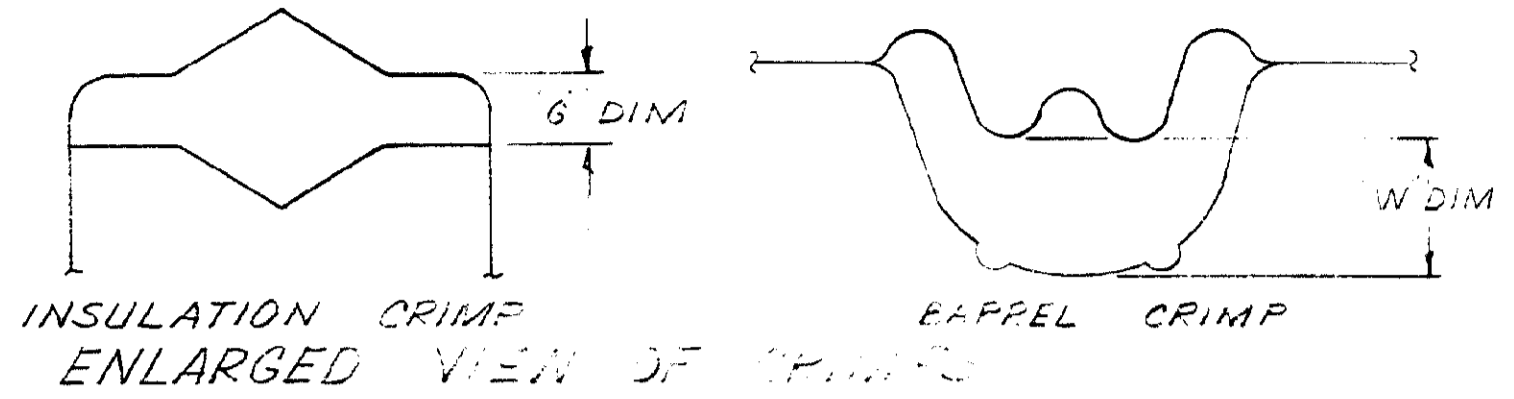
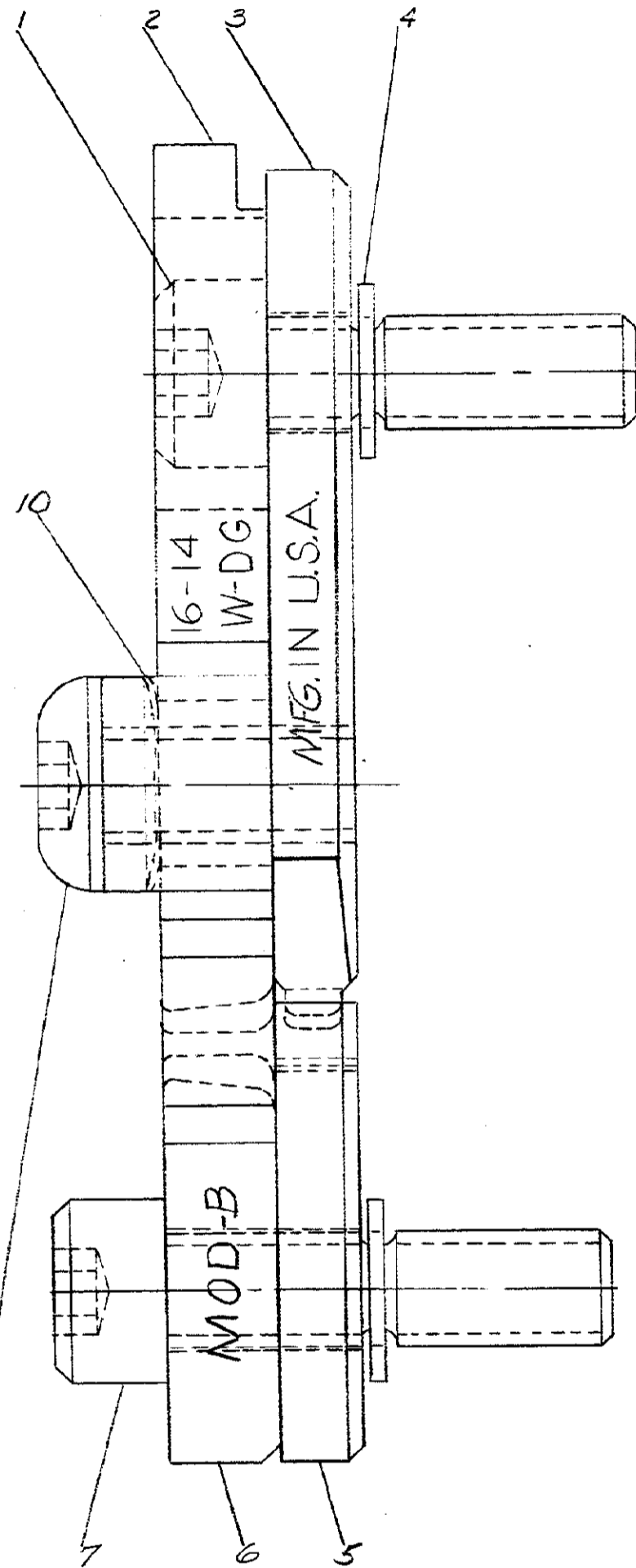
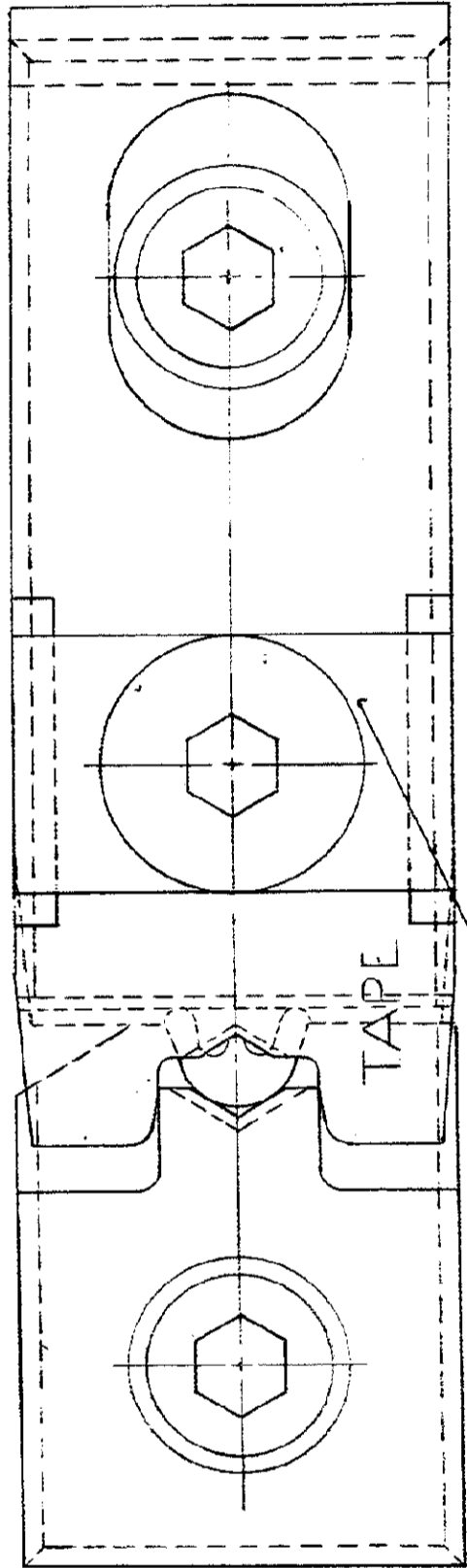
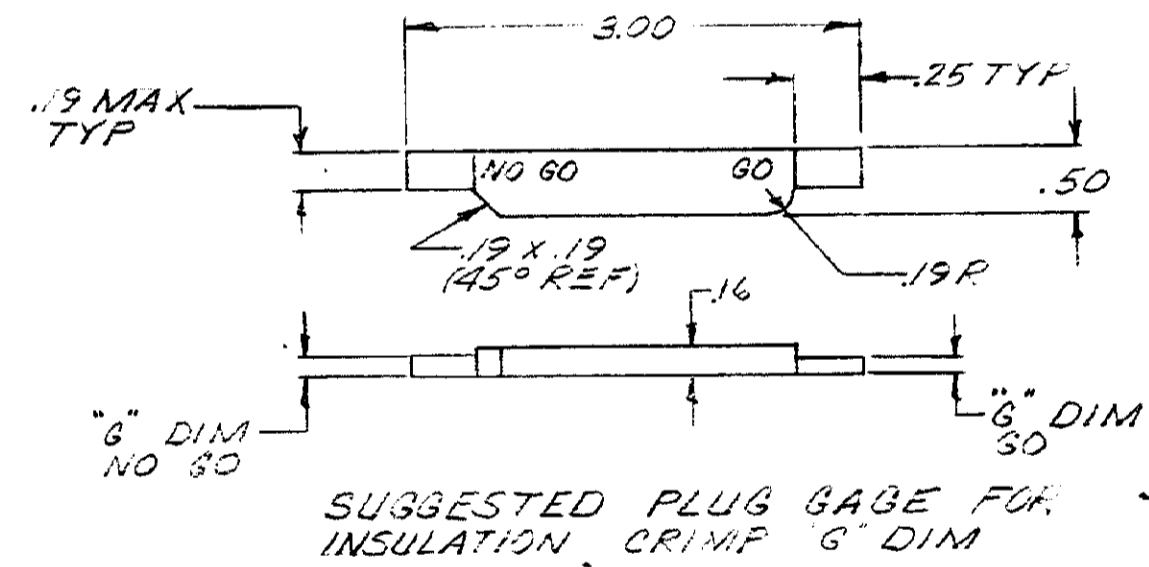
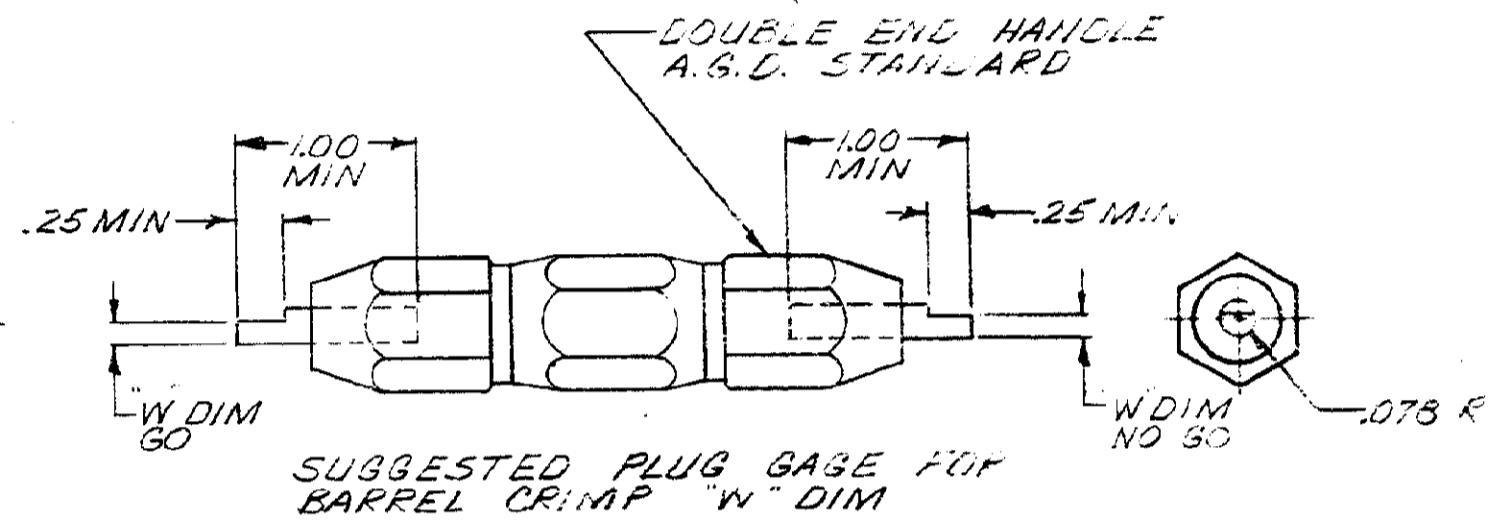


NUMBER 69931

PLUG GAGE DIMENSIONS APPLY WHEN COIL IS
BOTTOMED BUT NOT UNDER PRESSURE.



G DIM. AT POS #1		W DIM	
GO	NO GO	GO	NO GO
.030	.050	.075	.091



1	24088-8	WASHER - CURVED	10
1	307275-9	SADDLE	9
1	3-59577-1	SCREW (10-32 UNF-3A x 426 LONG)	8
1	59781-9	SCREW - SPECIAL	7
1	3-59619-1	ANVIL - INSULAT. ONLY	6
1	307235-1	NEST	5
2	1-21046-3	RING - RETAINING	4
1	307236-1	INDENTER	3
1	1-307285-3	INDENTER - INSULATION	2
1	2-59781-B	SCREW	1

REQUIRED PER ASSEMBLY	NUMBER	NAME	REMARKS	ITEM NO.
<p>© 1969 BY AMP INCORPORATED. ALL RIGHTS RESERVED. AMP PRODUCTS COVERED BY PATENTS AND/OR PATENTS PENDING.</p> <p>CUSTOMER COPY REFERENCE ONLY</p> <p>AMP AMP INCORPORATED HARRISBURG, PENNA.</p> <p>USED ON 69875</p> <p>WIRE - RANGE - INSULATION TYPE 16-14 + + "W" DG</p> <p>TOLERANCE EXCEPT AS NOTED = .015 ± 1" 4-1 MFG 69931</p> <p>NAME: DIE ASSEMBLY MOD-B</p>				
DESCRIPTION	3	2	1	A

REV	DESCRIPTION	DATE
B	REVISED	12-18-69
A	REVISED	12-16-69

DIMENSIONS IN INCHES DO NOT SCALE PRINT.