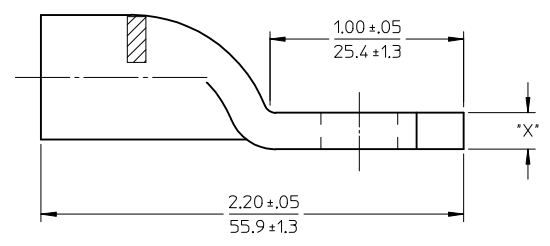
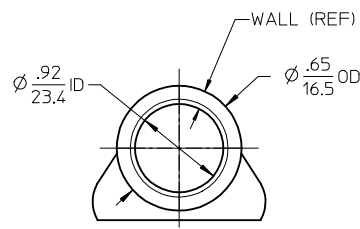
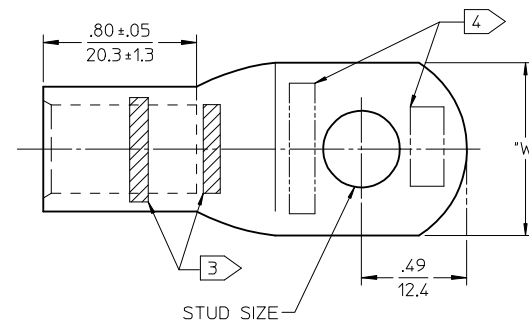


CABLE GAUGE	COLOR CODE	WALL THICKNESS (B)	"X" DIMENSION (B)	MATERIAL NUMBER				(B) "W" ±.03(0.8)			
				STUD SIZE				1/4"	5/16"	3/8"	1/2"
				1/4"	5/16"	3/8"	1/2"				
8	GREY	.095(2.41)	.19(4.83)	I922 I0064	I922 I0065	I922 I0066	-----	.56(14.2)	.71(18.0)	.71(18.0)	-----
6	GREY	.065(1.65)	.13(3.30)	I922 I0059	I922 I0060	I922 I0061	-----	.55(14.0)	.76(19.3)	.74(18.8)	-----
4	GREY	.065(1.65)	.13(3.30)	I922 I0055	I922 I0056	I922 I0057	I922 I0058	.57(14.5)	.75(19.1)	.75(19.1)	.75(19.1)
1 & 2	PINK	.085(2.16)	.17(4.32)	I922 I0043	I922 I0044	I922 I0045	I922 I0048	.80(20.3)	.80(20.3)	.80(20.3)	.80(20.3)
1/0	BLACK	.095(2.41)	.17(4.32)	I922 I0069	I922 I0070	I922 I0071	I922 I0072	.87(22.1)	.88(22.4)	.87(22.1)	.88(22.4)
2/0	ORANGE	.078(1.98)	.16(4.06)	I922 I0077	I922 I0078	I922 I0079	I922 I0080	.93(23.6)	.93(23.6)	.93(23.6)	.93(23.6)
3/0	PURPLE	.100(2.54)	.20(5.10)	I922 I0085	I922 I0086	I922 I0087	I922 I0088	1.06(26.9)	1.06(26.9)	1.06(26.9)	1.06(26.9)
4/0	YELLOW	.110(2.79)	.22(5.59)	I922 I0093	I922 I0094	I922 I0095	I922 I0096	1.14(29.0)	1.14(29.0)	1.14(29.0)	1.14(29.0)



SALES DRAWING

NOTE(S):
 1. MATERIAL: COPPER.
 2. FINISH: TIN PLATED.
 (B) 3 TERMINALS COLOR MATCHED WITH CABLE AND CRIMP DIES.
 (B) 4 COLOR CODE, LETTER CODE AND CABLE SIZE STAMPED LOCATION.

FIXED DIMENSIONS EC NO: ETC2005-0098 DRWNG:DMYRICK 2004/12/13 CHKD:RDEROSS 2004/12/13 APPR:RDEROSS 2004/12/13	QUALITY SYMBOLS	GENERAL TOLERANCES (UNLESS SPECIFIED)	DIMENSION STYLE	SCALE	DESIGN UNITS	THIRD ANGLE PROJECTION
	▽=0	mm INCH	IN/MM	DRAWN BY DATE	INCH	
	▽=0	4 PLACES ± --- ± ---	DMYRICK 04/12/10	TITLE		
		3 PLACES ± --- ±.015	CHECKED BY DATE	MAGNALUG BATTERY TERMINAL		
	2 PLACES ± 0.38 ±.03	RDEROSS 04/12/10	MOLEX INCORPORATED			
	1 PLACE ± 0.76 ± ---	APPROVED BY DATE	SD-19221-002			
		RDEROSS 04/12/10	SHEET NO. 1 OF 1			
		MATERIAL NO. SEE CHART	THIS DRAWING CONTAINS INFORMATION THAT IS PROPRIETARY TO MOLEX INCORPORATED AND SHOULD NOT BE USED WITHOUT WRITTEN PERMISSION			