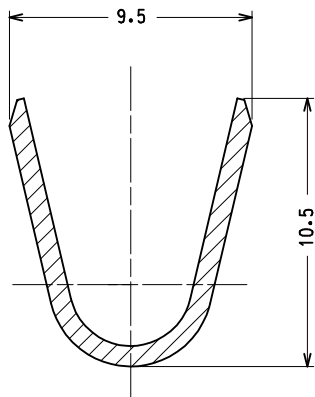
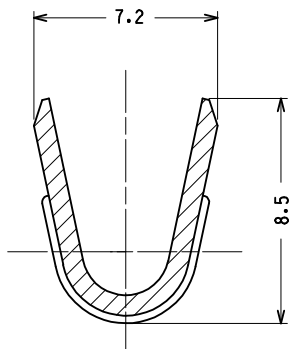


10 9 8 7 6 5 4 3 2 1

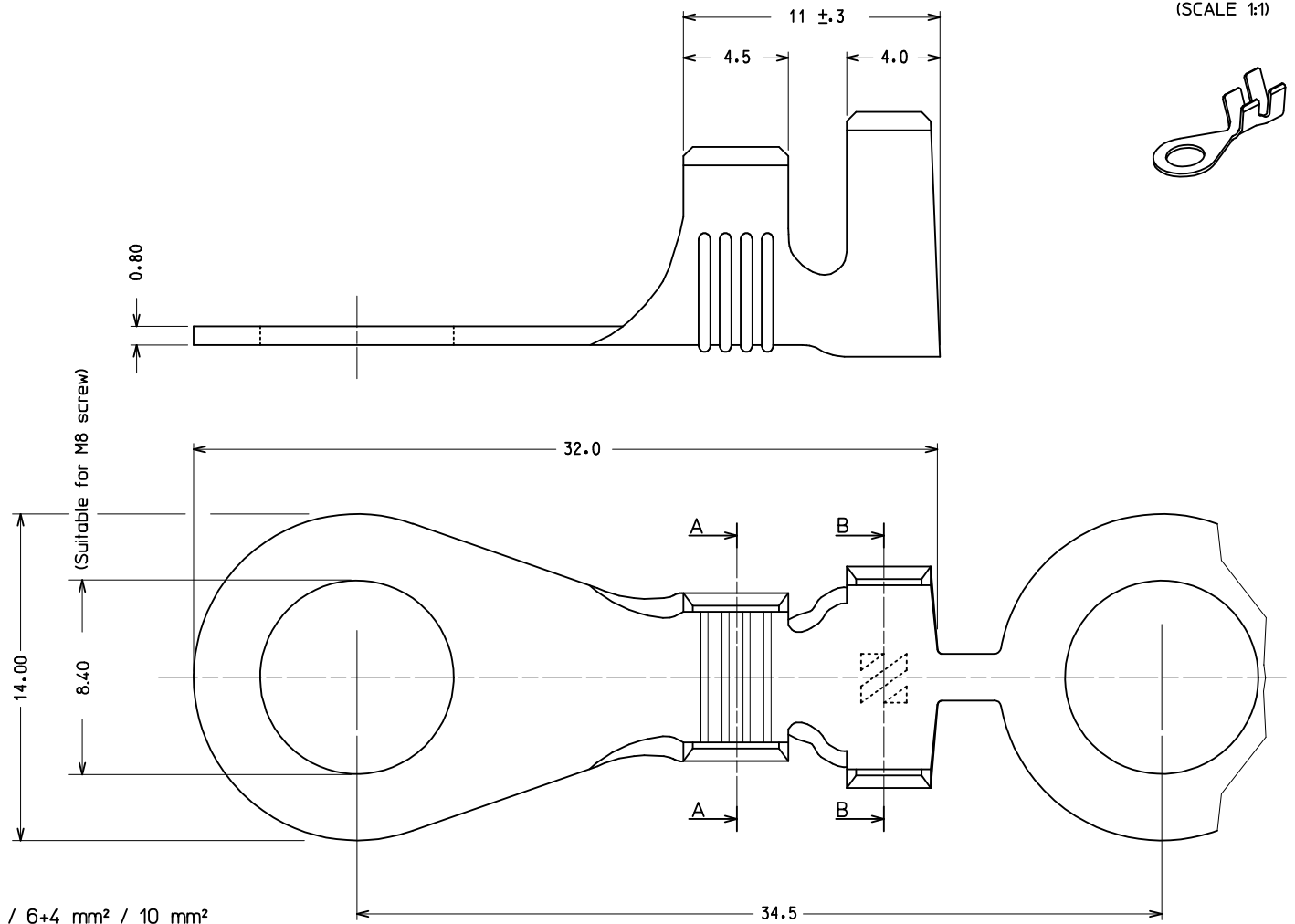
SECTION B-B



SECTION A-A



ISOMETRIC VIEW
(SCALE 1:1)



SEZIONE CAVO = 4+2.5 mm² / 4+4 mm² / 8 mm² / 6+4 mm² / 10 mm²
 WIRE SECTION = 4+2.5 mm² / 4+4 mm² / 8 mm² / 6+4 mm² / 10 mm²

φ ISOLANTE = 7.1 mm max.
 INSULATION φ = 7.1 mm max.

MATERIALE: OTTONE CuZn33
 MATERIAL: BRASS CuZn33

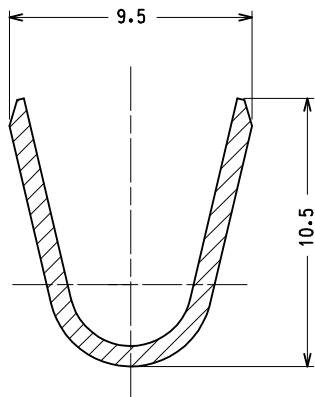
FINITURA: POST-STAGNATO
 PLATING: POST-TINNED

EC NO: Z2013-0152 DRWN:LSANTESS 2013/04/16 CHKD:LSANTESS 2013/04/16 APPR:FB/SELLO 2013/04/16 REV	QUALITY SYMBOLS	GENERAL TOLERANCES (UNLESS SPECIFIED)	DIMENSION STYLE	SCALE	DESIGN UNITS	FIRST ANGLE PROJECTION
	▼ = 0 ◻ = 0	mm INCH 4 PLACES ± --- ± --- 3 PLACES ± --- ± --- 2 PLACES ± 0.1 ± --- 1 PLACE ± 0.2 ± --- ANGULAR ± 2 °	MM ONLY	5:1	METRIC	
		DRAFT WHERE APPLICABLE MUST REMAIN WITHIN DIMENSIONS	DRAWN BY DATE	TITLE		
	A5		LSANTESS 2011/06/14	TERMINALE AD OCCHIELLO RING TONGUE TERMINAL		
			CHECKED BY DATE	MOLEX INCORPORATED		
			LSANTESS 2011/06/14	DOCUMENT NO.		
			APPROVED BY DATE	SD-94030-702		
			SBARBIER 2011/06/15	SHEET NO.		
			MATERIAL NO.	1 OF 1		
			94030-7020	THIS DRAWING CONTAINS INFORMATION THAT IS PROPRIETARY TO MOLEX INCORPORATED AND SHOULD NOT BE USED WITHOUT WRITTEN PERMISSION		

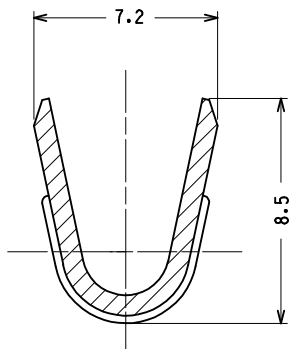
9 8 7 6 5 4 3 2 1

10 9 8 7 6 5 4 3 2 1

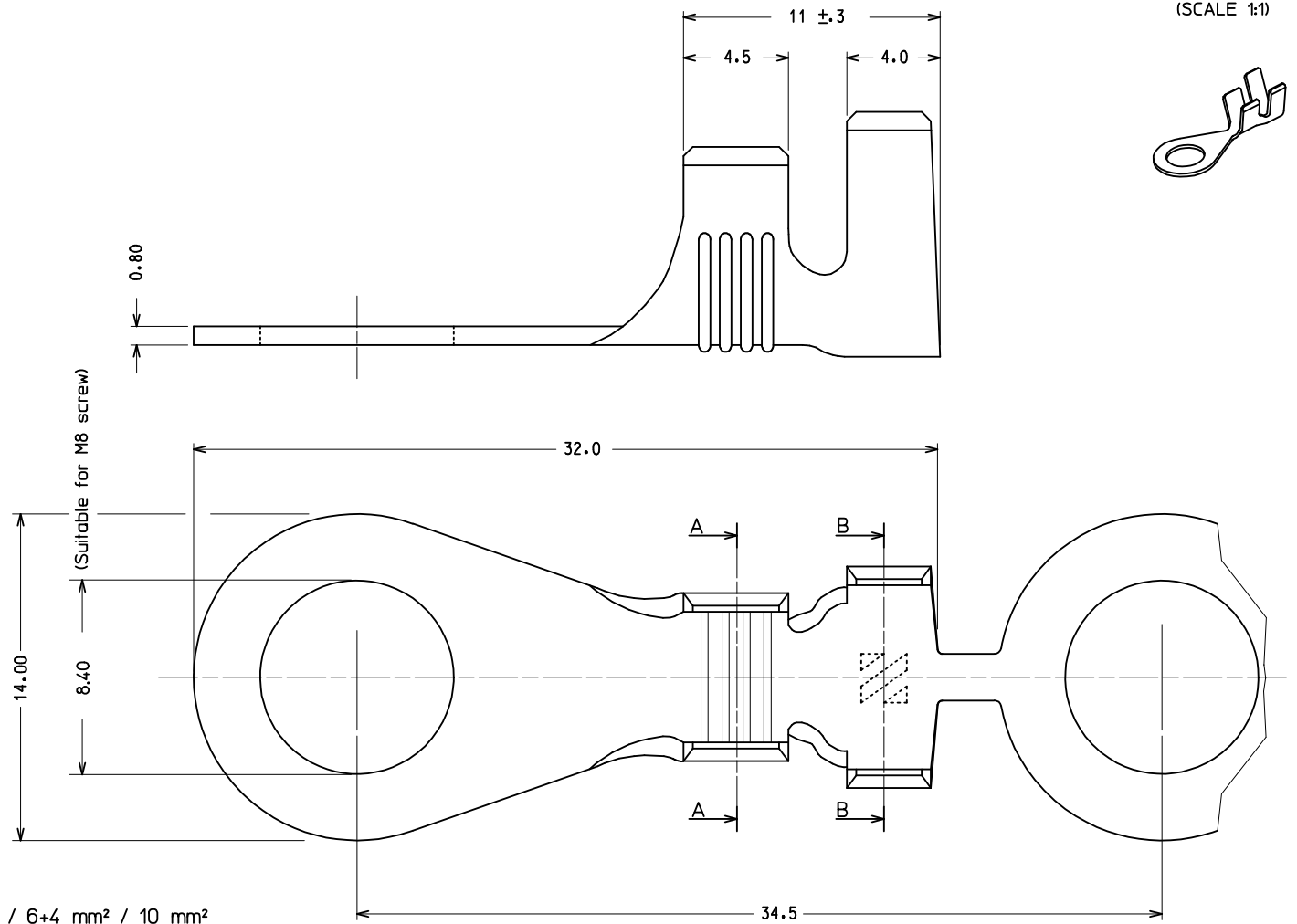
SECTION B-B



SECTION A-A



ISOMETRIC VIEW
(SCALE 1:1)



SEZIONE CAVO = 4+2.5 mm² / 4+4 mm² / 8 mm² / 6+4 mm² / 10 mm²
 WIRE SECTION = 4+2.5 mm² / 4+4 mm² / 8 mm² / 6+4 mm² / 10 mm²

φ ISOLANTE = 7.1 mm max.
 INSULATION φ = 7.1 mm max.

MATERIALE: OTTONE CuZn33
 MATERIAL: BRASS CuZn33

FINITURA: POST-STAGNATO
 PLATING: POST-TINNED

EC NO: Z2013-0152 DRWN:LSANTESS 2013/04/16 CHKD:LSANTESS 2013/04/16 APPR:FB/SELLO 2013/04/16 REV	QUALITY SYMBOLS	GENERAL TOLERANCES (UNLESS SPECIFIED)	DIMENSION STYLE	SCALE	DESIGN UNITS	FIRST ANGLE PROJECTION
	▼ = 0 ◻ = 0	mm INCH 4 PLACES ± --- ± --- 3 PLACES ± --- ± --- 2 PLACES ± 0.1 ± --- 1 PLACE ± 0.2 ± --- ANGULAR ± 2 °	MM ONLY	5:1	METRIC	
		DRAFT WHERE APPLICABLE MUST REMAIN WITHIN DIMENSIONS	DRAWN BY DATE LSANTESS 2011/06/14 CHECKED BY DATE LSANTESS 2011/06/14 APPROVED BY DATE SBARBIER 2011/06/15	TITLE	TERMINALE AD OCCHIELLO RING TONGUE TERMINAL	
	A5		MATERIAL NO. 94030-7020 SIZE A3	DOCUMENT NO. SD-94030-702 SHEET NO. 1 OF 1	MOLEX INCORPORATED	

9 8 7 6 5 4 3 2 1