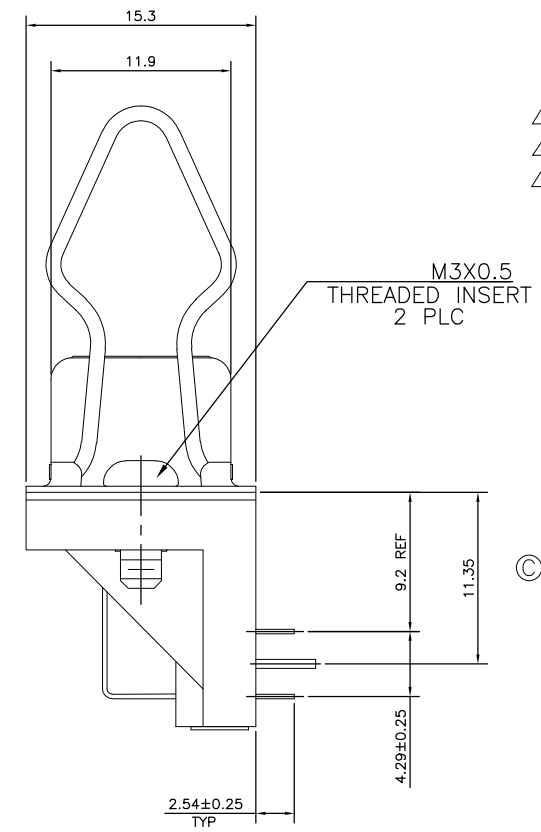
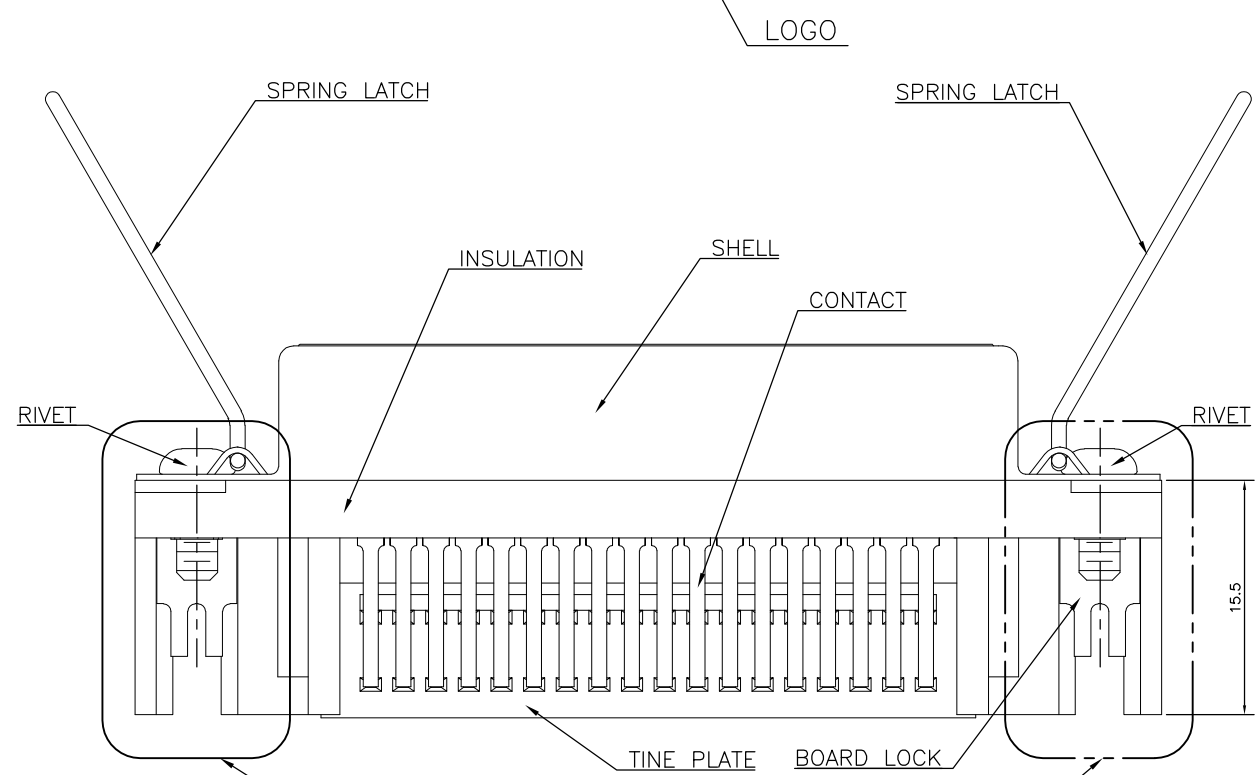
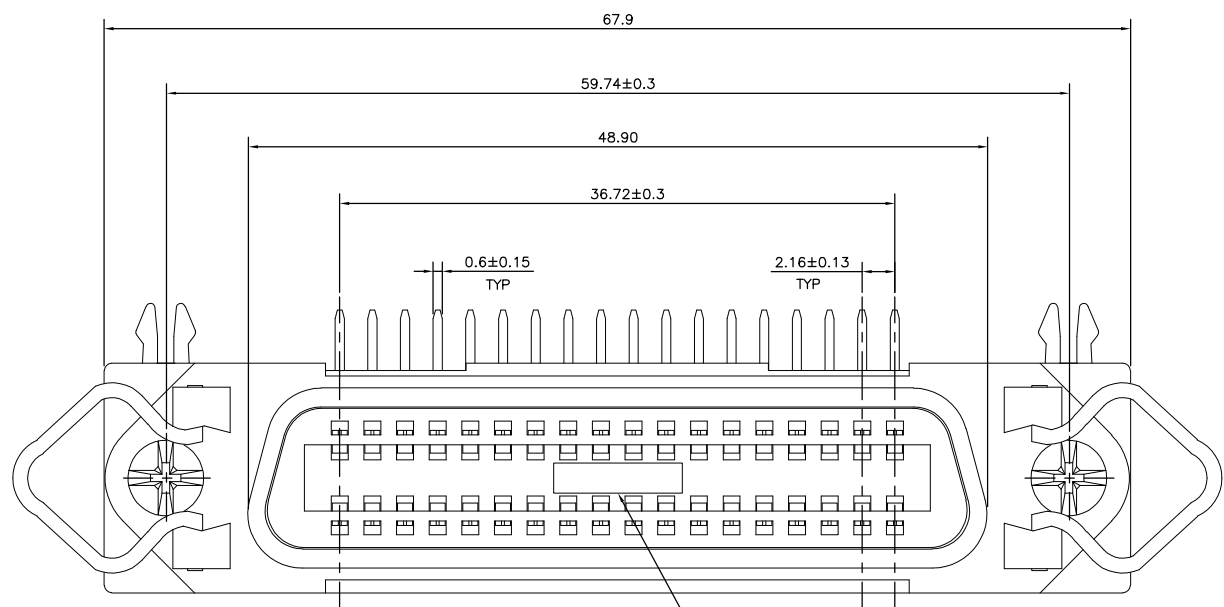


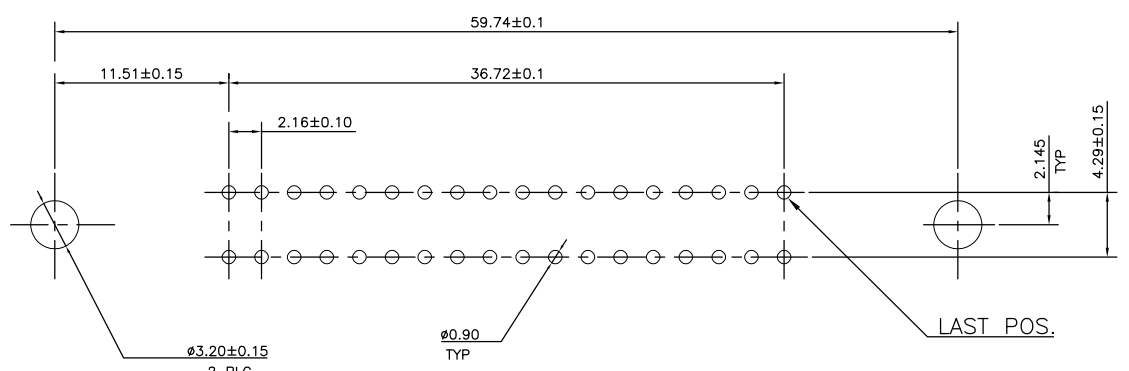
THIS DRAWING IS UNPUBLISHED. RELEASED FOR PUBLICATION
 © COPYRIGHT - By - ALL RIGHTS RESERVED.

LOC	DIST	REVISIONS			
P	LTR	DESCRIPTION	DATE	DWN	APVD
	C	REVISED PER ECR-12-013431	15APR2013	K.M	E.T



NOTE:
 1. MATERIAL:
 HOUSING: THERMOPLASTIC WITH GLASS-FIBER FILLED, UL 94V-0 RATED, COLOR: SEE TABLE.
 TINE PLATE: THERMOPLASTIC WITH GLASS-FIBER FILLED, UL 94V-0 RATED, COLOR: SEE TABLE
 CONTACTS: COPPER ALLOY.
 BOARD LOCK: BRASS.
 SPRING LATCH: STAINLESS STEEL
 SHELL: STEEL.
 RIVET: BRASS.
 2. FINISH:
 CONTACT: (SEE TABLE) GOLD PLATING ON CONTACT AREA, 2.54µm [100µ"] MIN. TIN-CU ON SOLDER TAIL, 1.27µm [50µ"] MIN. NICKEL UNDERPLATED ALL OVER.
 SHELL: 1.27µm [50µ"] MIN. NICKEL PLATED.
 BOARD LOCK: 3.81µm [150µ"] MIN. TIN-CU PLATED.
 RIVET: 1.27µm [50µ"] MIN. NICKEL PLATED.
 ⚠ SEE SHEET 4 FOR DIFFERENT POINT EXPLANATION.
 ⚠ SEE SHEET 3 FOR DIFFERENT POINT EXPLANATION.
 ⚠ SEE SHEET 4 FOR DIFFERENT POINT EXPLANATION.

CONSTRUCTIVE AND VISUAL CHANGE REFER TO DETAIL B (ONLY FOR 4-1734044-3)
 CONSTRUCTIVE AND VISUAL CHANGE REFER TO DETAIL A



RECOMMENDED PC BOARD LAYOUT

REV	DESCRIPTION	FINISH	MIN. THICKNESS	PART NUMBER
5	W/O	BLACK	GOLD FLASH	5-1734044-3
4	W/O	BLACK	GOLD FLASH	4-1734044-3
3	W/	BLACK	0.381um [15u"]	3-1734044-3
2	W/O	BURGUNDY	SCREW	2-1734044-1
1	W/O	BLACK	0.381um [15u"]	1-1734044-3
	W/O	BLACK	RIVET	1-1734044-2
	W/O	BLACK	SCREW	1-1734044-1
	W/O	BLACK	0.381um [15u"]	1734044-3
	W/O	BLACK	RIVET	1734044-2
	W/O	BLACK	SCREW	1734044-1
GROUND TABS	HOUSING & TINE PLATE COLOR	LOCK TYPE	MIN. THICKNESS	PART NUMBER

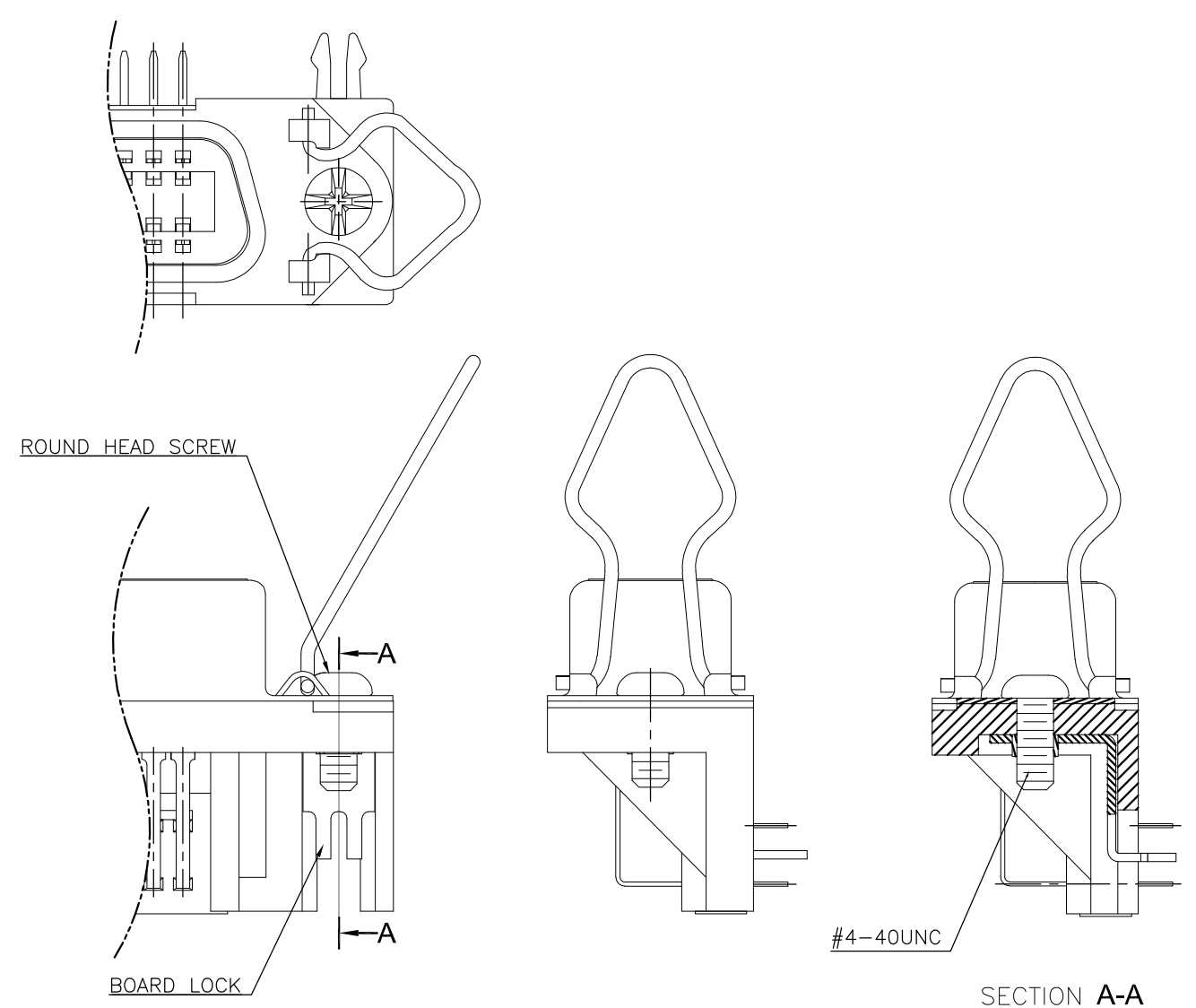
THIS DRAWING IS A CONTROLLED DOCUMENT.		DWN S. CHIEN 27OCT2008	STE TE Connectivity	
DIMENSIONS: mm		CHK S. CHIEN 27OCT2008		
TOLERANCES UNLESS OTHERWISE SPECIFIED:		APVD W. KODAMA 27OCT2008	NAME	
0 PLC ± 0.38		PRODUCT SPEC 108-57098		
1 PLC ± 0.25		APPLICATION SPEC		
2 PLC ± 0.13		SIZE CAGE CODE DRAWING NO RESTRICTED TO		
3 PLC ± 0.05		WEIGHT GRAMS A300779 C-1734044		
4 PLC ± -		CUSTOMER DRAWING SCALE SHEET 1 OF 5 REV C		
ANGLES ± 3'				
FINISH				
MATERIAL SEE NOTES				
SEE NOTES				

THIS DRAWING IS UNPUBLISHED. RELEASED FOR PUBLICATION - , - .
 © COPYRIGHT - By - ALL RIGHTS RESERVED.

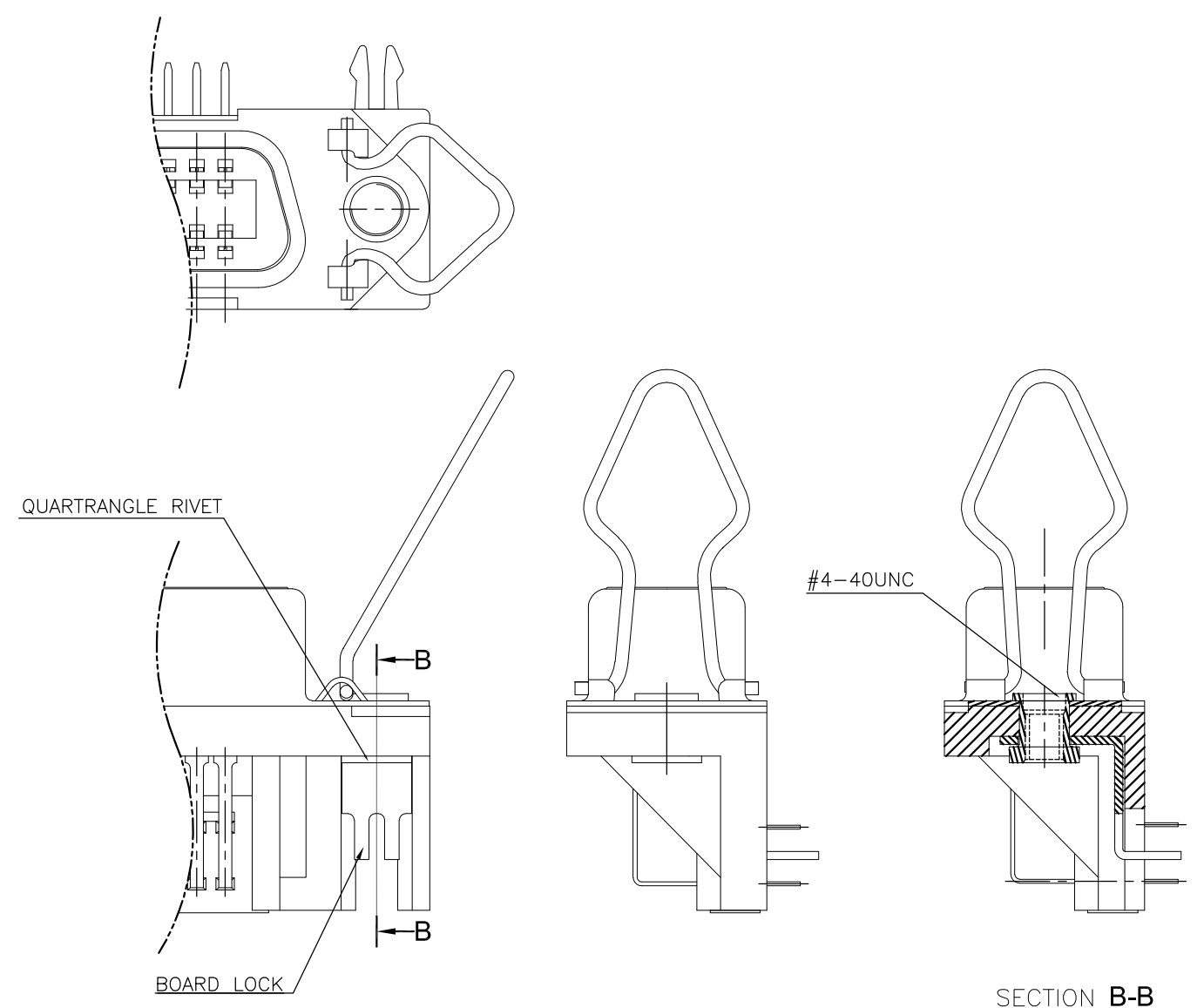
LOC		DIST		REVISIONS			
P	LTR	DESCRIPTION		DATE	DWN	APVD	
	-	SEE SHEET 1		-	-	-	

DETAIL A

DETAIL A



FOR X-1734044-1



FOR X-1734044-2

THIS DRAWING IS A CONTROLLED DOCUMENT.		DWN	TE Connectivity				
DIMENSIONS: mm		CHK				NAME	
		APVD					
TOLERANCES UNLESS OTHERWISE SPECIFIED: 0 PLC ± 0.38 1 PLC ± 0.25 2 PLC ± 0.13 3 PLC ± 0.05 4 PLC ± - ANGLES ± - MATERIAL FINISH		PRODUCT SPEC				RECEPTACLE ASSEMBLY, 36P RIGHT ANGLE, CENTRONICS.	
MATERIAL		APPLICATION SPEC	SIZE	CAGE CODE	DRAWING NO		
		WEIGHT	A3	00779	C-1734044	-	
CUSTOMER DRAWING			SCALE	SHEET	REV		
			-	2 OF 5	C		

THIS DRAWING IS UNPUBLISHED.

RELEASED FOR PUBLICATION

ALL RIGHTS RESERVED.

© COPYRIGHT - By -

LOC
DW

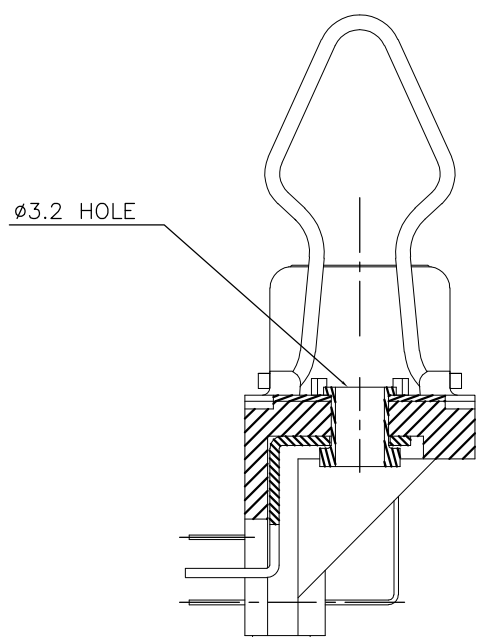
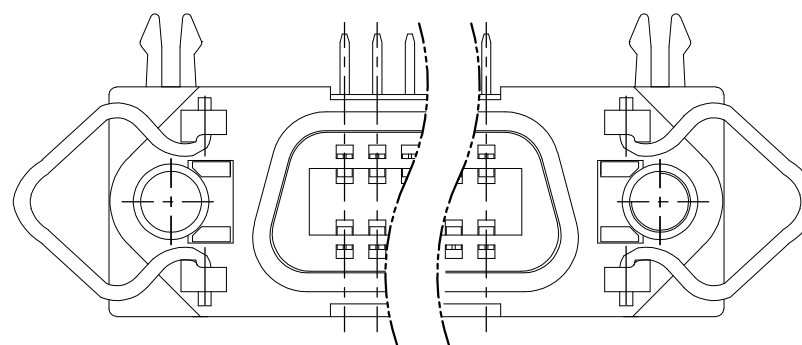
DIST
/

REVISIONS

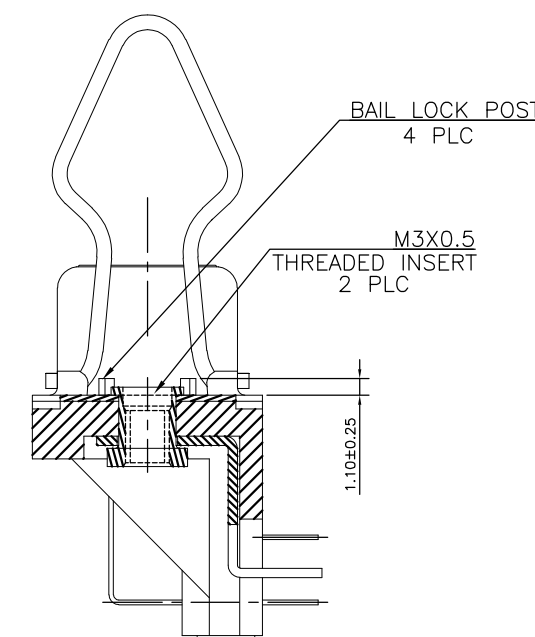
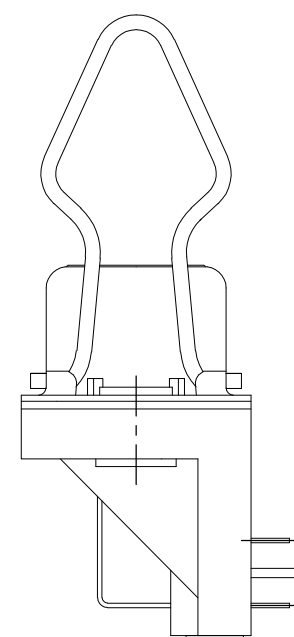
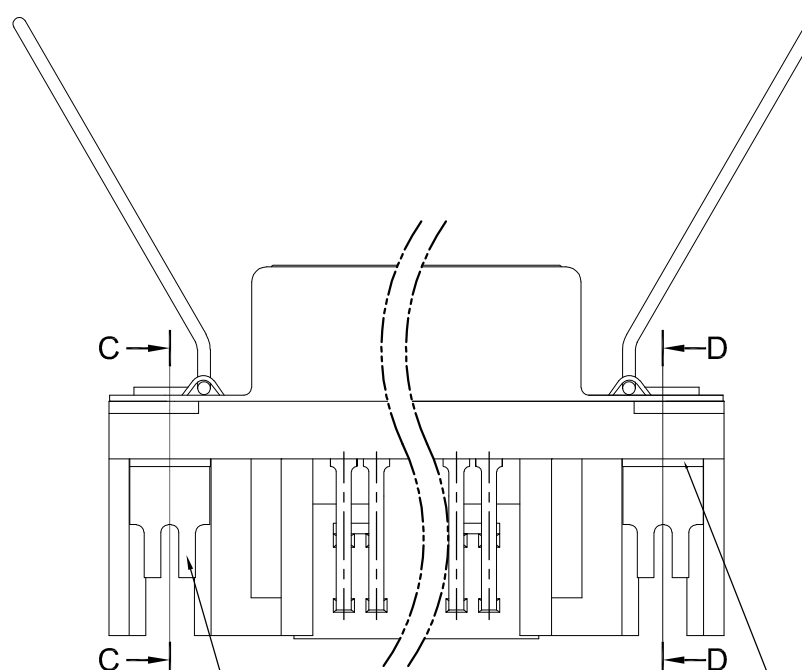
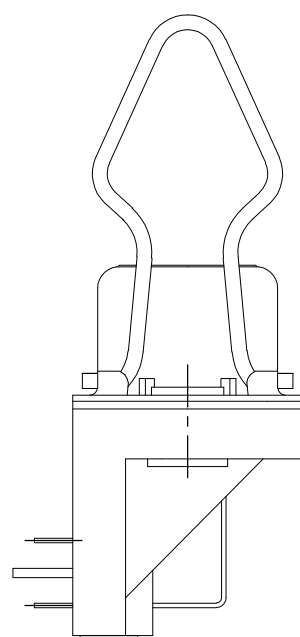
P	LTR	DESCRIPTION	DATE	DWN	APVD
-	-	SEE SHEET 1	-	-	-

DETAIL B

DETAIL A



SECTION C-C



SECTION D-D

QUARTRANGLE RIVET

BOARD LOCK

ONLY FOR 4-1734044-3-4

THIS DRAWING IS A CONTROLLED DOCUMENT.		DWN	TE Connectivity NAME RECEPTACLE ASSEMBLY, 36P RIGHT ANGLE, CENTRONICS.				
DIMENSIONS: mm		CHK					
TOLERANCES UNLESS OTHERWISE SPECIFIED:		APVD					
0 PLC ± - 1 PLC ± - 2 PLC ± - 3 PLC ± - 4 PLC ± - ANGLES ± - MATERIAL FINISH		PRODUCT SPEC					
MATERIAL		APVD	APPLICATION SPEC	SIZE	CAGE CODE	DRAWING NO	RESTRICTED TO
		WEIGHT	CUSTOMER DRAWING	A3	00779	C-1734044	-
			SCALE	SHEET	3 OF 5	REV	C

THIS DRAWING IS UNPUBLISHED.

RELEASED FOR PUBLICATION

ALL RIGHTS RESERVED.

© COPYRIGHT - By -

LOC
DW

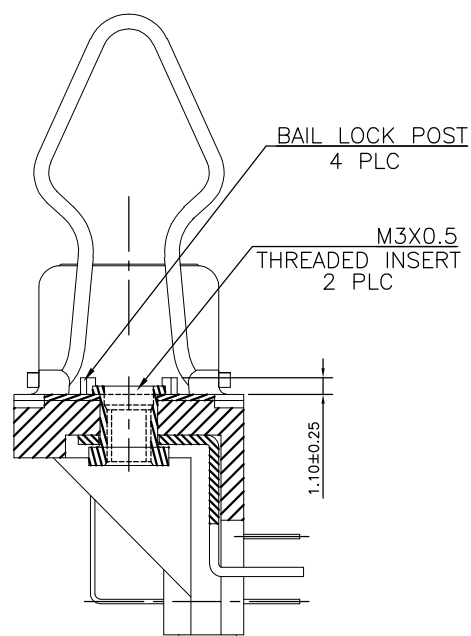
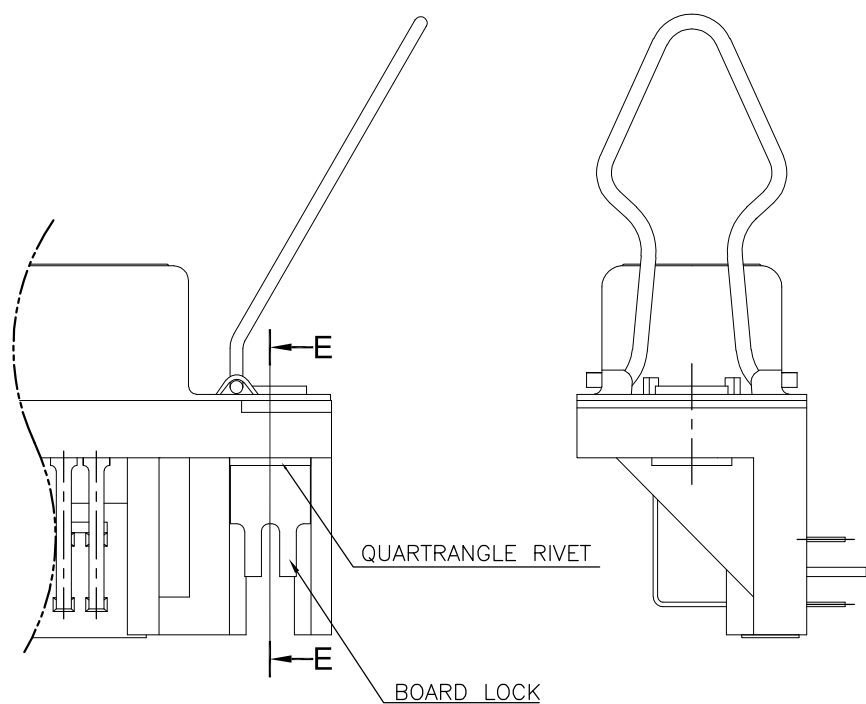
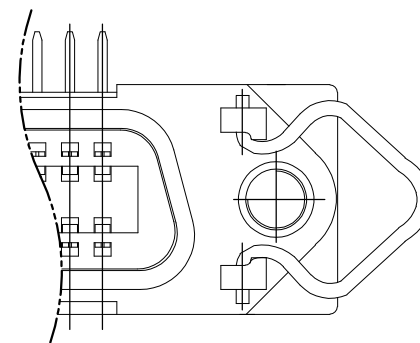
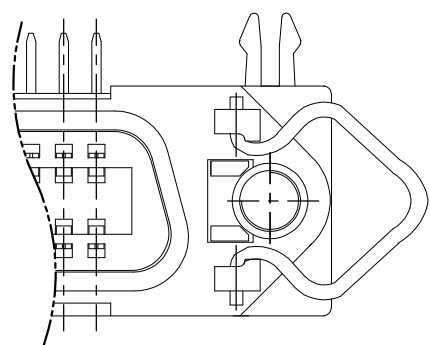
DIST
-

REVISIONS

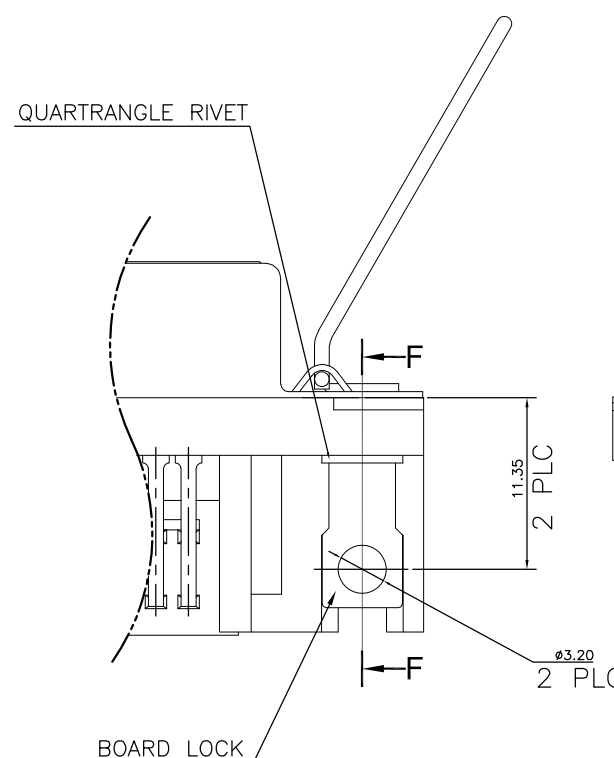
P	LTR	DESCRIPTION	DATE	DWN	APVD
-	-	SEE SHEET 1	-	-	-

DETAIL A

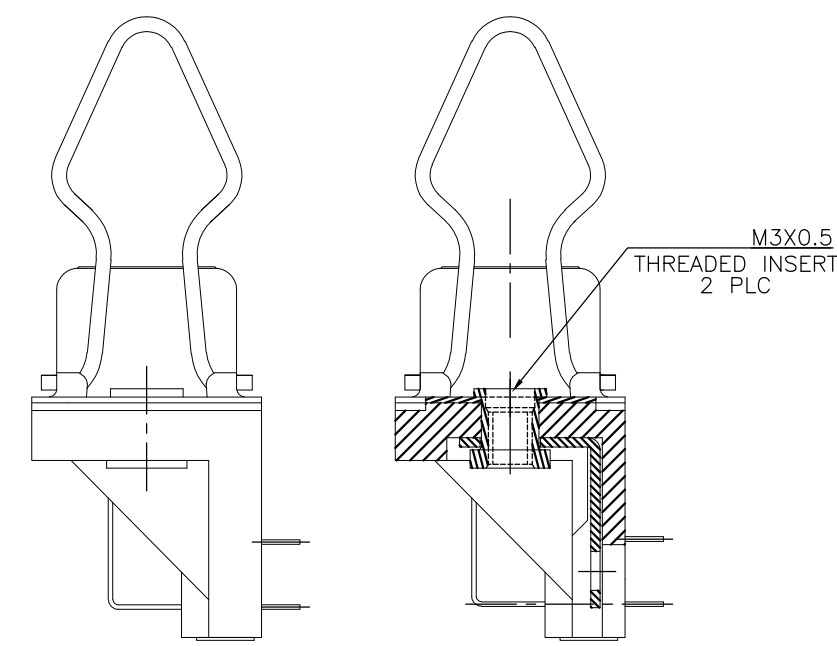
DETAIL A



SECTION E-E



SECTION F-F



SECTION F-F

FOR 1734044-3, 1-1734044-3, 3-1734044-3

ONLY FOR 5-1734044-3

THIS DRAWING IS A CONTROLLED DOCUMENT.		DWN	TE Connectivity NAME RECEPTACLE ASSEMBLY, 36P RIGHT ANGLE, CENTRONICS.				
DIMENSIONS: mm		CHK					
		APVD					
TOLERANCES UNLESS OTHERWISE SPECIFIED: 0 PLC ± 0.38 1 PLC ± 0.25 2 PLC ± 0.13 3 PLC ± 0.05 4 PLC ± - ANGLES ± 3°		PRODUCT SPEC					
MATERIAL		FINISH	APPLICATION SPEC	SIZE	CAGE CODE	DRAWING NO	RESTRICTED TO
			WEIGHT	A3	00779	C-1734044	
CUSTOMER DRAWING			SCALE	SHEET	REV		
			-	4 OF 5	C		

THIS DRAWING IS UNPUBLISHED.

RELEASED FOR PUBLICATION

© COPYRIGHT - By -

ALL RIGHTS RESERVED.

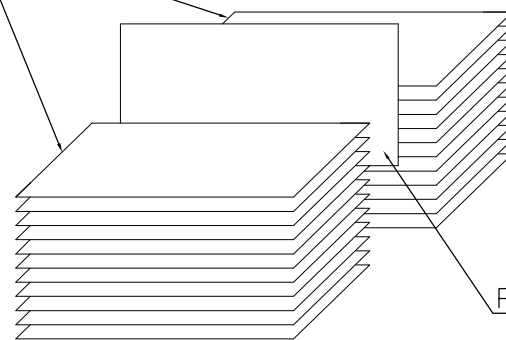
LOC
DW

DIST
/

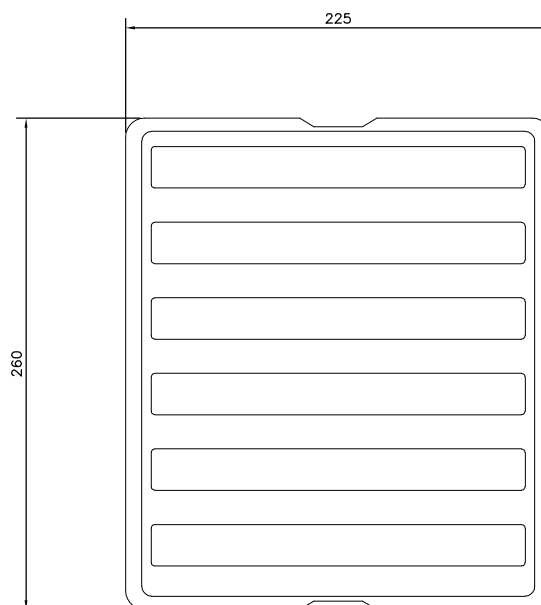
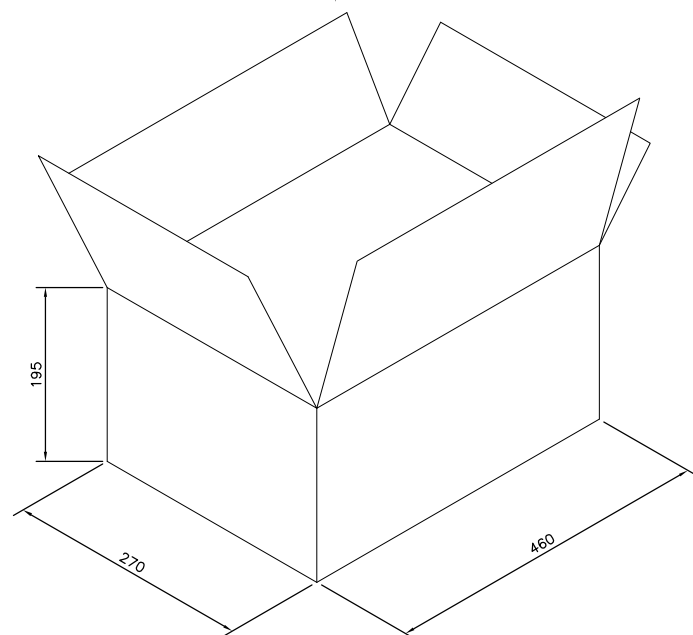
REVISIONS

P	LTR	DESCRIPTION	DATE	DWN	APVD
-	-	SEE SHEET 1	-	-	-

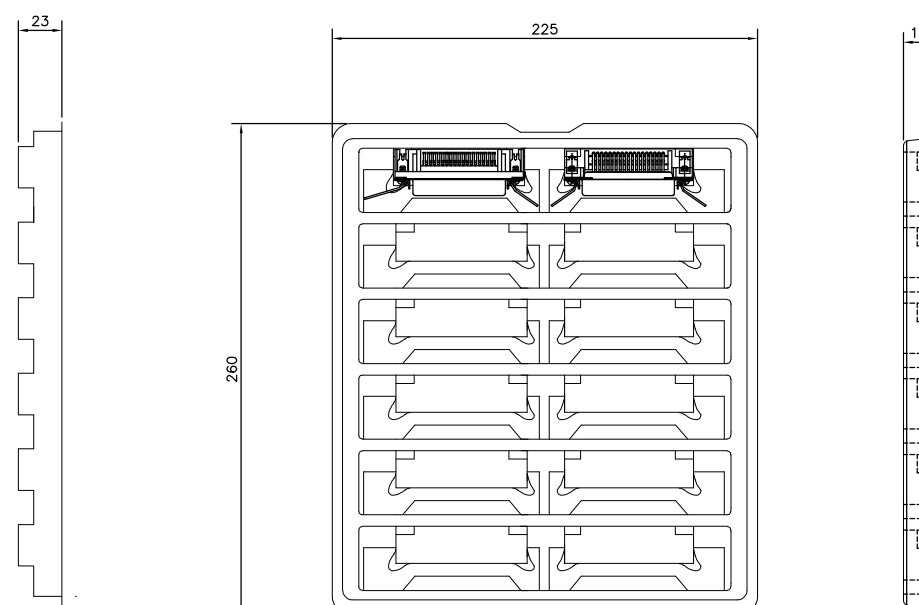
PVC TRAY



PAPER BOARD



UPPER COVER



LOWER COVER

8.0	9.0	12	16	192
NET WEIGHT (KGS)	GROSS WEIGHT (KGS)	PCS/TRAY	TRAYS/ OUTER BOX	QUANTITY

THIS DRAWING IS A CONTROLLED DOCUMENT.		DWN	TE Connectivity RECEPTACLE ASSEMBLY, 36P RIGHT ANGLE, CENTRONICS.					
DIMENSIONS: mm		CHK				NAME		
		APVD				PRODUCT SPEC		
TOLERANCES UNLESS OTHERWISE SPECIFIED: 0 PLC ± - 1 PLC ± - 2 PLC ± - 3 PLC ± - 4 PLC ± - ANGLES ± -		PRODUCT SPEC				APPLICATION SPEC		
MATERIAL		FINISH	WEIGHT	SIZE	CAGE CODE	DRAWING NO	RESTRICTED TO	
CUSTOMER DRAWING			-	A3	00779	C-1734044	-	
			SCALE	SHEET	5 OF 5	REV	C	