

Technical specification:

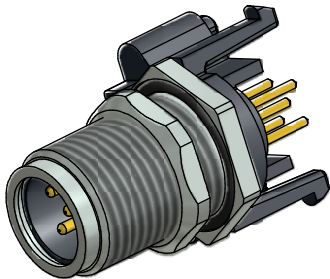
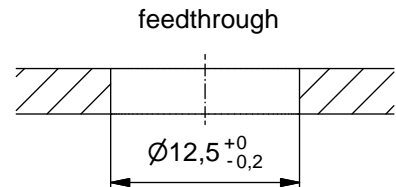
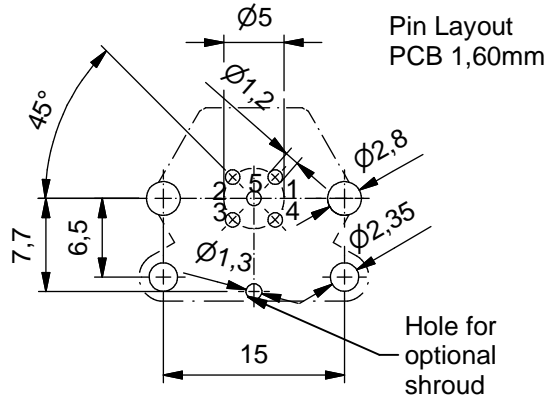
Rated voltage: IEC 61076-2-101	4pos 5pos 250 V 60 V
Current rating: IEC 61076-2-101	4 A at 40°C
Insulation resistance: IEC 60512	>=100 MΩ
Pollution degree: IEC 60664-1	3/2
Degree of protection: IEC 60529	IP 67, in mated condition
Temperature range: EN 60512-11-10 EN 60512-11-4	-30°C ... +85°C -40°C ... +85°C
Mating cycles: IEC 60512-9a	>=100

Materials:

Contact:	CuZn, Ni b / Au 0,2 gal.
Contact carrier:	PA GF, UL 94 V-0
Sealing:	FPM
Socket housing:	CuZn, nickel plated
Shroud:	spring steel, nickel plated

Installation specification:

recommended torque:	0,8-1 Nm
Conec installation tool:	Torque wrench: 36-000200 Insert across flats 14: 36-000370 Insert across flats 15: 36-000320



Part no:	Description:	Pos	Note:
43-01174	SAL - 12 - FSH4 - X10	4	
43-01175	SAL - 12S - FSH4 - X10	4	with shroud
43-01176	SAL - 12 - FSH5.1 - X10	5	
43-01177	SAL - 12S - FSH5.1 - X10	5	with shroud

DO NOT ALTER CAD DRAWING BY HAND

RoHS & REACH compliant

Index: b 21.08.13 MG Ä4884
Data sheet revised, width across flats of the counter nut changed, installation specification added

general tolerance:	0 ± 0,50mm
	0,0 ± 0,25mm
	0,00 ± 0,10mm
	* ± 1,5°

THIS DRAWING MAY NOT BE COPIED OR REPRODUCED IN ANY WAY, AND MAY NOT BE PASSED ON TO A THIRD PARTY WITHOUT WRITTEN PERMISSION. OWNERSHIP AND COPYRIGHT OF CONEC GmbH

dim. in mm

	date	name
drawn	11.10.07	Fromm
appd.	18.10.07	W.Schmidt

CONEC®

title:
Male socket M12x1 axial, backmounting, dip solder, X10

dwg no:
43K1A500

part no: