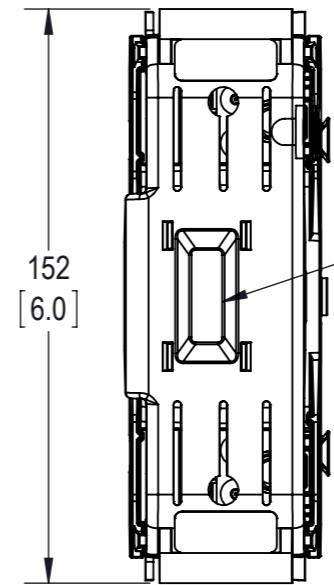
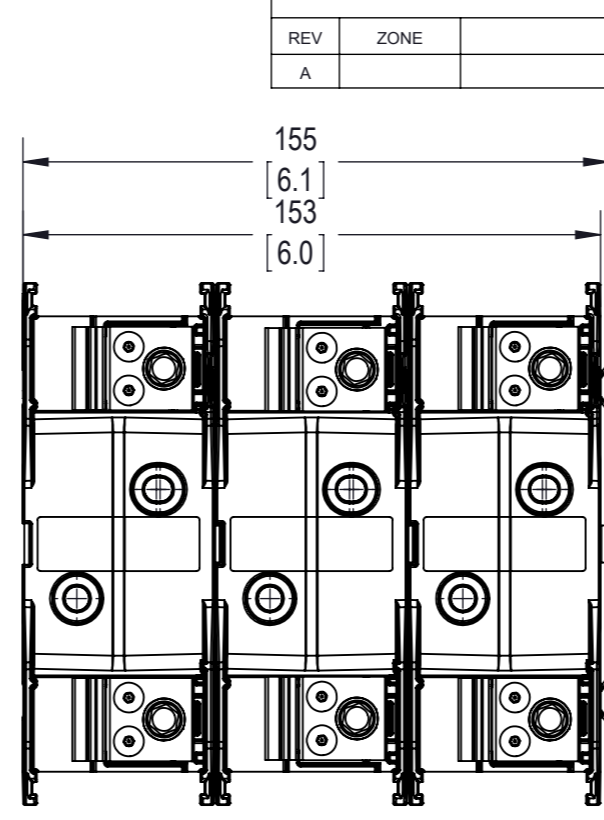
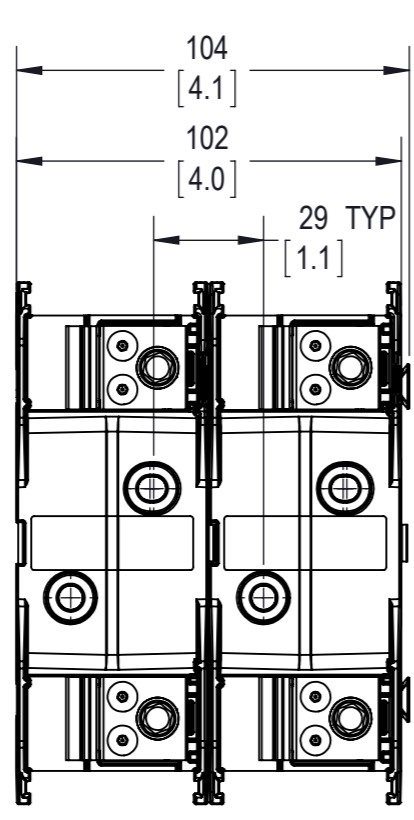
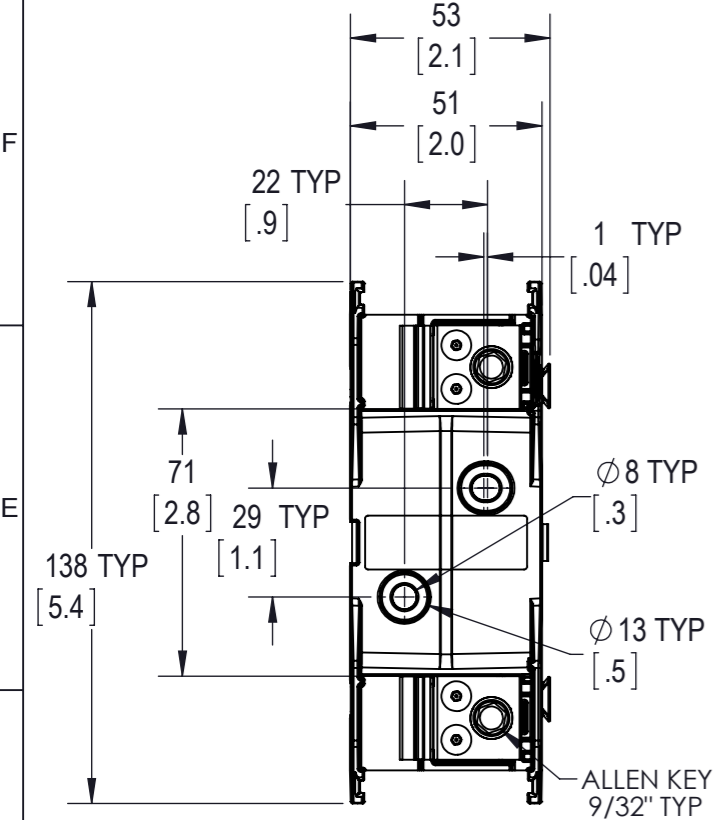
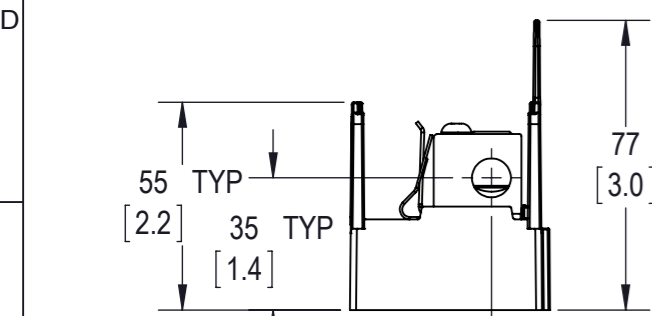


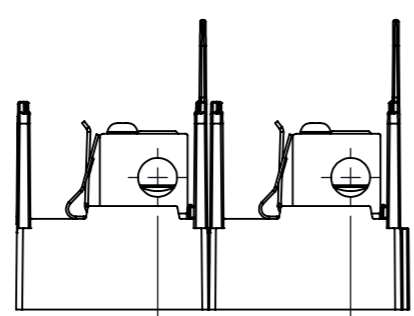
REVISIONS					
REV	ZONE	DESCRIPTION	DATE	ECN	BY
A		INITIAL RELEASE	1/8/14		TCB



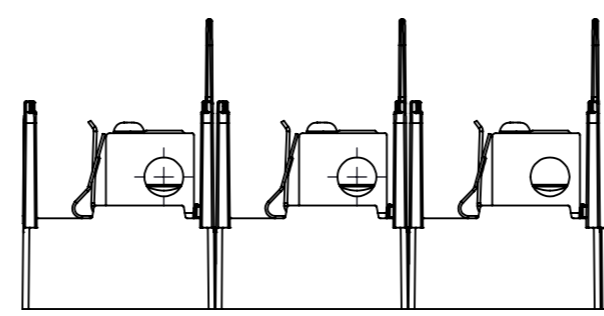
CVR-J-60100-M (NON INDICATING)
CVRI-J-60100-M (WITH INDICATION)



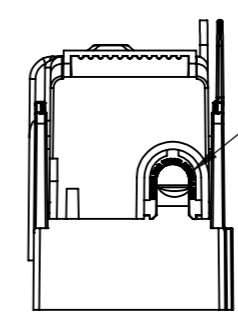
JM60100-1CR



JM60100-2CR



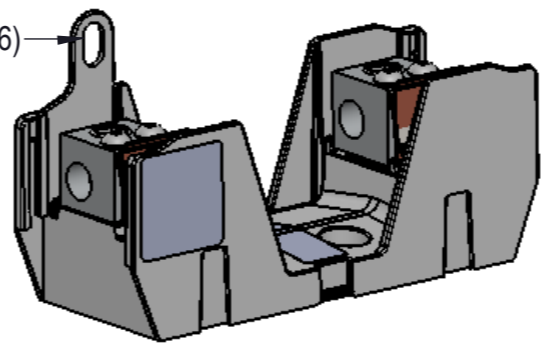
JM60100-3CR



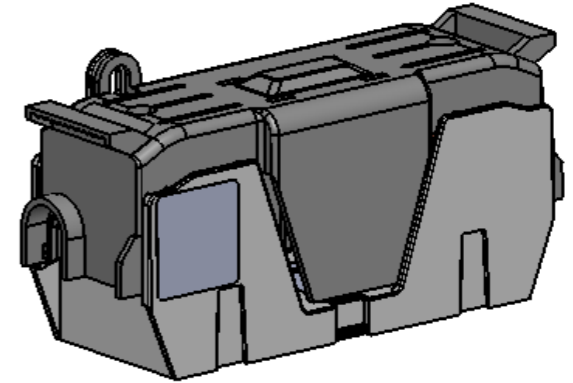
JM60100-1CR
(SHOWN WITH COVER)

REMOVE FOR WIRE ABOVE 6 AWG

LOCKOUT-TAGOUT FEATURE (SEE NOTE 6)



3D VIEW FOR JM60100-1CR
SCALE = NONE



3D VIEW FOR JM60100-1CR
WITH COVER
SCALE = NONE

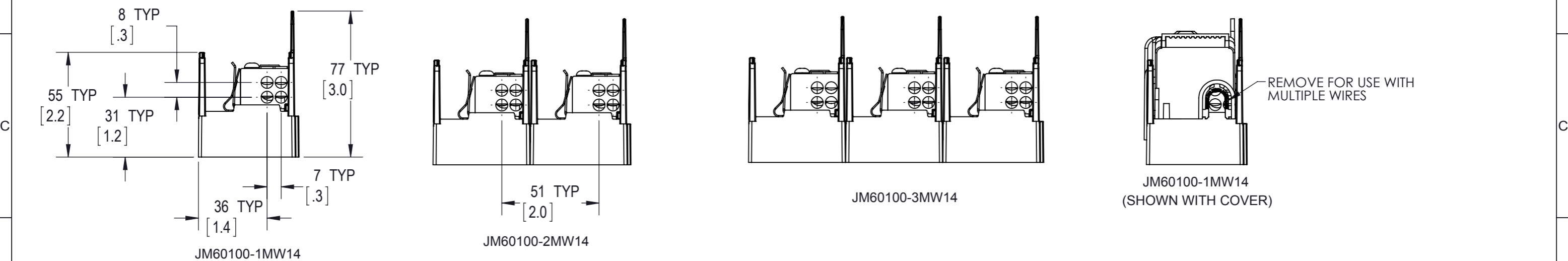
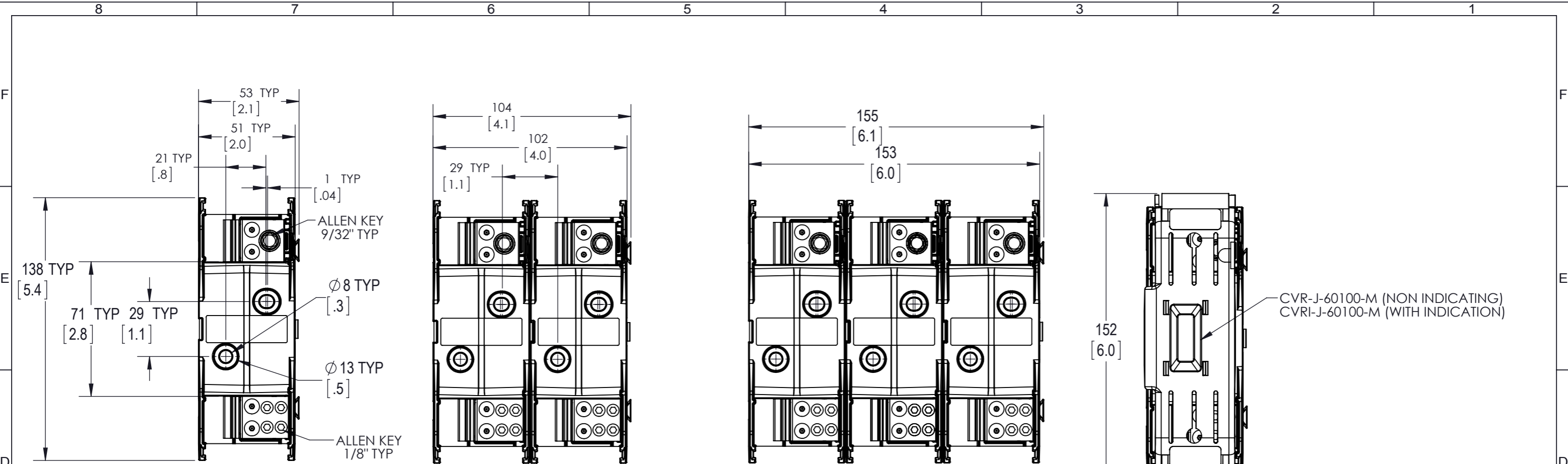
CUSTOMER PRINT

NOTES:

- VOLTAGE RATING: 600V
- AMPERAGE: 100A
- WITHSTAND RATING: 200kA
- WIRE: Cu/Al 75°C/90°C ONLY
- WIRE RANGE: (1) 1/0 - 14 AWG Cu
(1) 1/0 - 12 AWG Al
- USE 4mm DIA. CABLE LOCK OR 1/4" DIA. HASP PADLOCK.

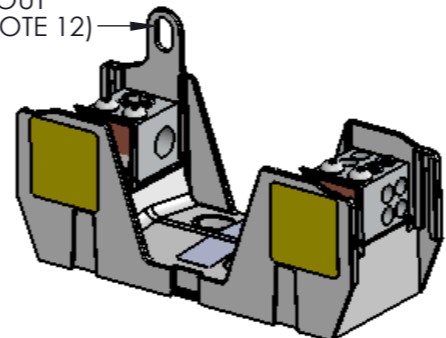
MODEL SOURCE DATA JM60100-XCR	MODEL VERSION	GENERAL DRAWING PRACTICES IN ACCORDANCE WITH ASME - Y14.100-2004 DIMENSIONS AND TOLERANCES IN ACCORDANCE WITH ASME - Y14.5M-1994	APPROVALS	DATE	
THIS DRAWING IS AN UNCONTROLLED COPY IF PRINTED OR SENT ELECTRONICALLY. DO NOT SCALE DRAWING.		UNLESS OTHERWISE SPECIFIED DIMENSIONS ARE IN MILLIMETERS TOLERANCES TO BE ONE PLACE X.X = ±0.3mm TWO PLACE X.X X = ±0.13mm ALL ANGLES X.X = ±1°	PRODUCT MANAGER	--/------	
EATON CORPORATION - CONFIDENTIAL AND PROPRIETARY NOTICE TO PERSONS RECEIVING THIS DOCUMENT AND/OR TECHNICAL INFORMATION			ENGINEER	--/------	
THIS DOCUMENT, INCLUDING THE DRAWING AND INFORMATION CONTAINED THEREON, IS CONFIDENTIAL AND IS THE EXCLUSIVE PROPERTY OF EATON CORPORATION AND IS MERELY ON LOAN AND SUBJECT TO RECALL BY EATON AT ANY TIME. BY TAKING POSSESSION OF THE DOCUMENT, THE RECIPIENT ACKNOWLEDGES AND AGREES THAT THIS DOCUMENT CANNOT BE USED IN ANY MANNER ADVERSE TO THE INTERESTS OF EATON AND THAT NO PORTION OF THIS DOCUMENT MAY BE COPIED OR OTHERWISE REPRODUCED WITHOUT THE PRIOR WRITTEN CONSENT OF EATON. IN THE CASE OF CONFLICTING CONTRACTUAL PROVISIONS, THIS NOTICE SHALL GOVERN THE STATUS OF THIS DOCUMENT.		SPECIAL CHARACTERISTIC	◇ (0)	QUALITY	
© 2012 Eaton Corporation. All Rights Reserved.		SIGNIFICANT CHARACTERISTIC	△ (0)	MATERIAL	--/------
		THIRD ANGLE PROJECTION		PRINT	N/A

TITLE		600V / 100A CLASS J FUSE BLOCK	
SIZE	DWG NO.	REV	
A3	JM60100-SERIES-CP	A	
SCALE:	1:2	SHEET	1 OF 3

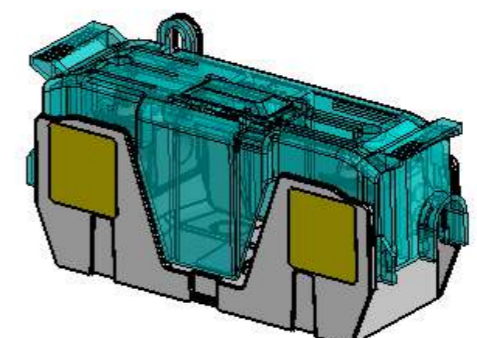


- NOTES:
- 7) VOLTAGE RATING: 600V
 - 8) AMPERAGE: 100A
 - 9) WITHSTAND RATING: 200kA
 - 10) WIRE Cu/Al 75°C/90°C
 - 11) WIRE RANGE: LINESIDE (1) 1/0 - 14 AWG Cu/Al
LOADSIDE (4) 4 AWG - 14 AWG Cu
(4) 4AWG - 8 AWG Al
(8) 10 AWG - 14 AWG Cu
 - 12) USE 4mm DIA. CABLE LOCK OR 1/4" DIA. HASP PADLOCK.
 - 13) SEE PAGE 1 FOR LINESIDE DIMENSIONS.

LOCKOUT-TAGOUT FEATURE (SEE NOTE 12)



3D VIEW FOR JM60100-1MW14
SCALE = NONE



3D VIEW FOR JM60100-1MW14
(SHOWN WITH COVER)
SCALE = NONE

CUSTOMER PRINT

Bussmann
by **EATON**

TITLE			REV		
600V / 100A CLASS J FUSE BLOCK			A		
SIZE	DWG NO.	REV		A	
A3	JM60100-SERIES-CP				
SCALE: 1:2	SHEET 2 OF 3				

8 7 6 5 4 3 2 1

F

F

E

E

D

D

C

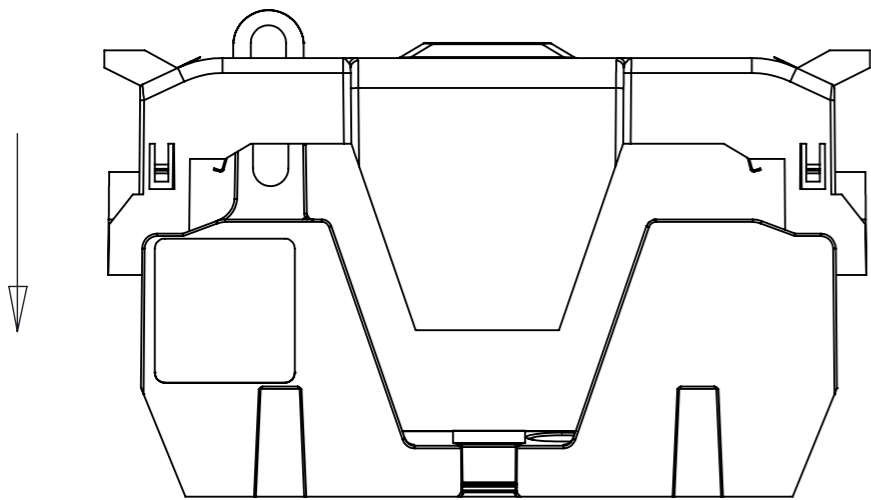
C

B

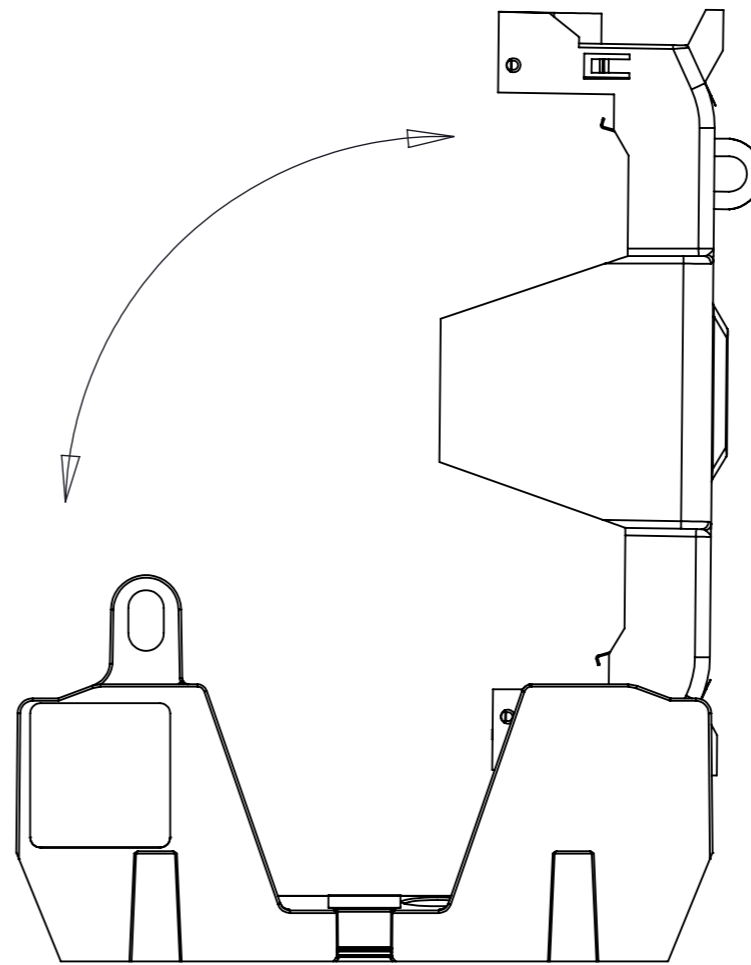
B

A

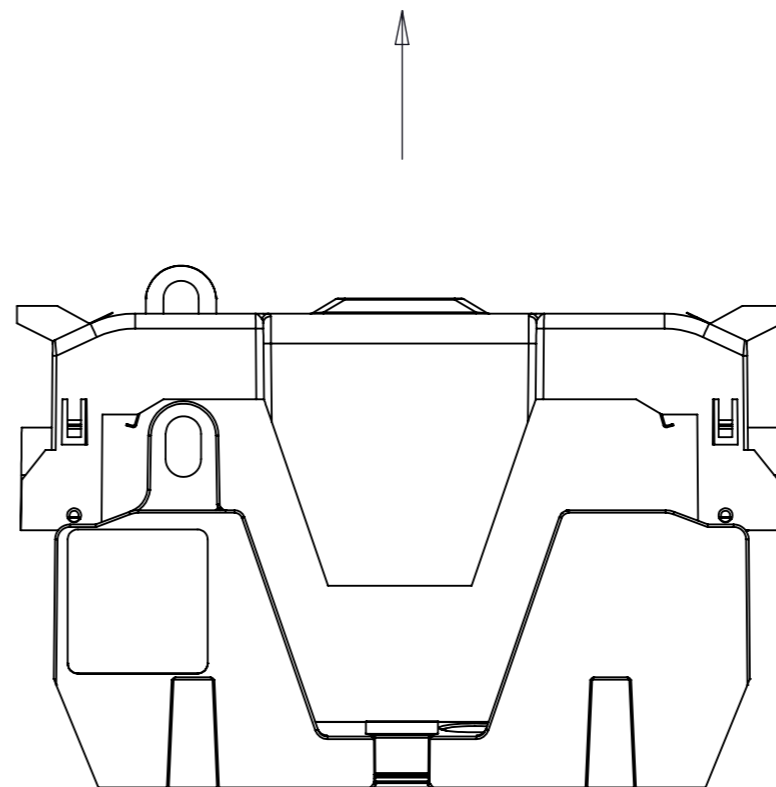
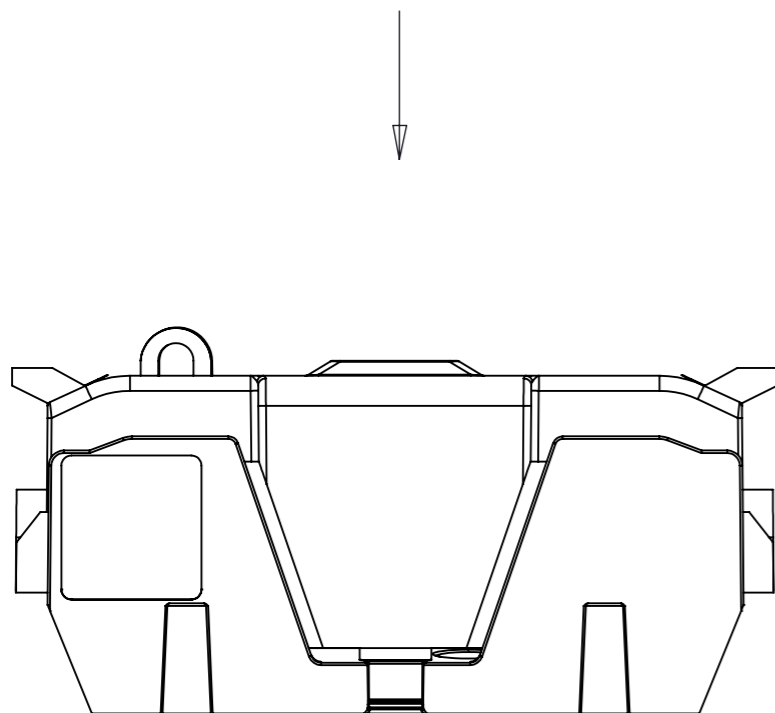
A



PUSH DOWN



**LIFT UP.
THEN ROTATE COVER.**



LIFT UP.

Bussmann by E.T.N.		
TITLE 600V / 100A CLASS J FUSE BLOCK		
SIZE A3	DWG NO. JM60100-SERIES-CP	REV --
SCALE 1:2	SHEET 3 OF 3	

8 7 6 5 4 3 2 1

SLA3_BUSS_MIE_GEPB...REV_A