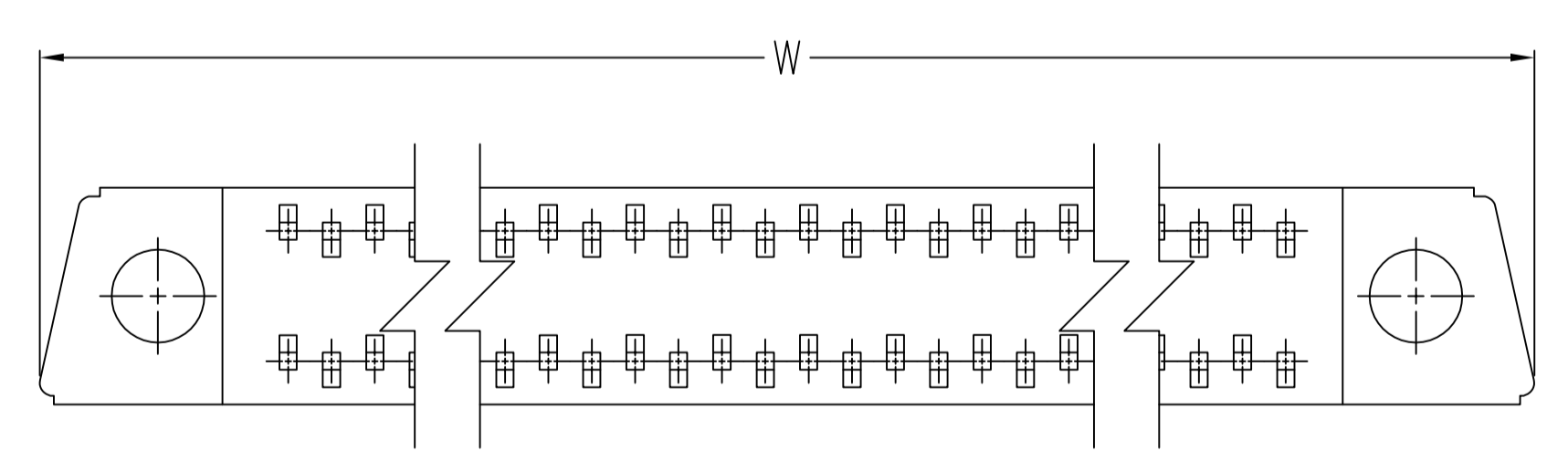
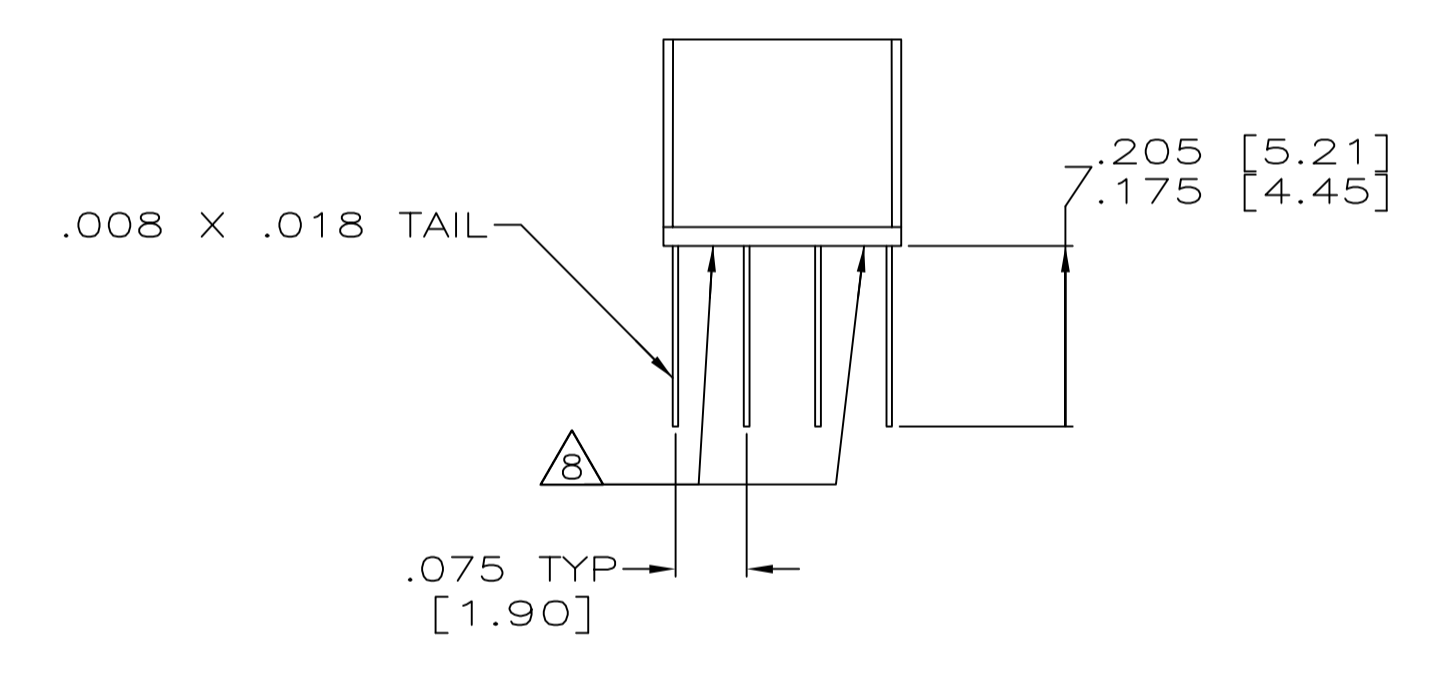
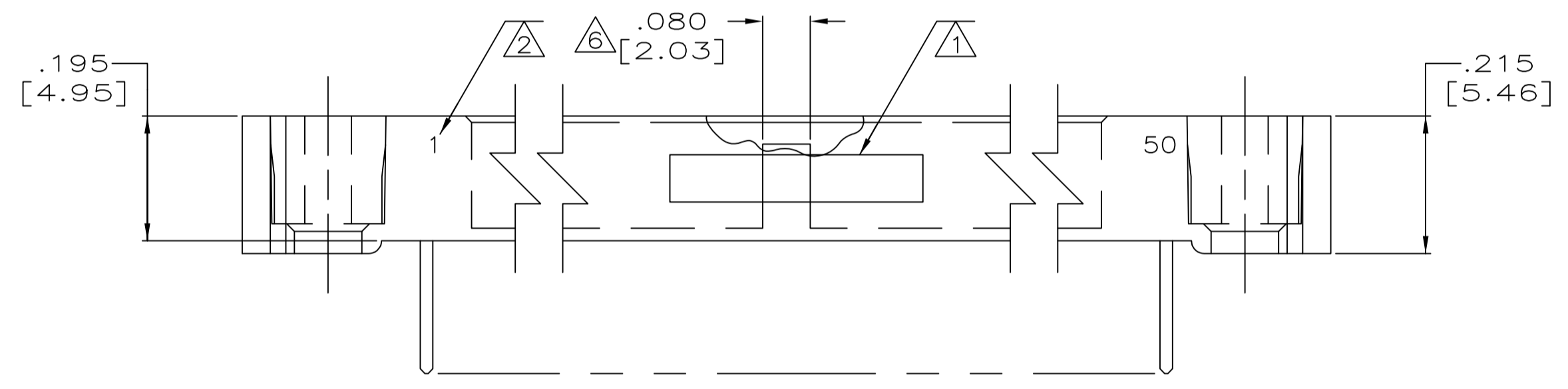
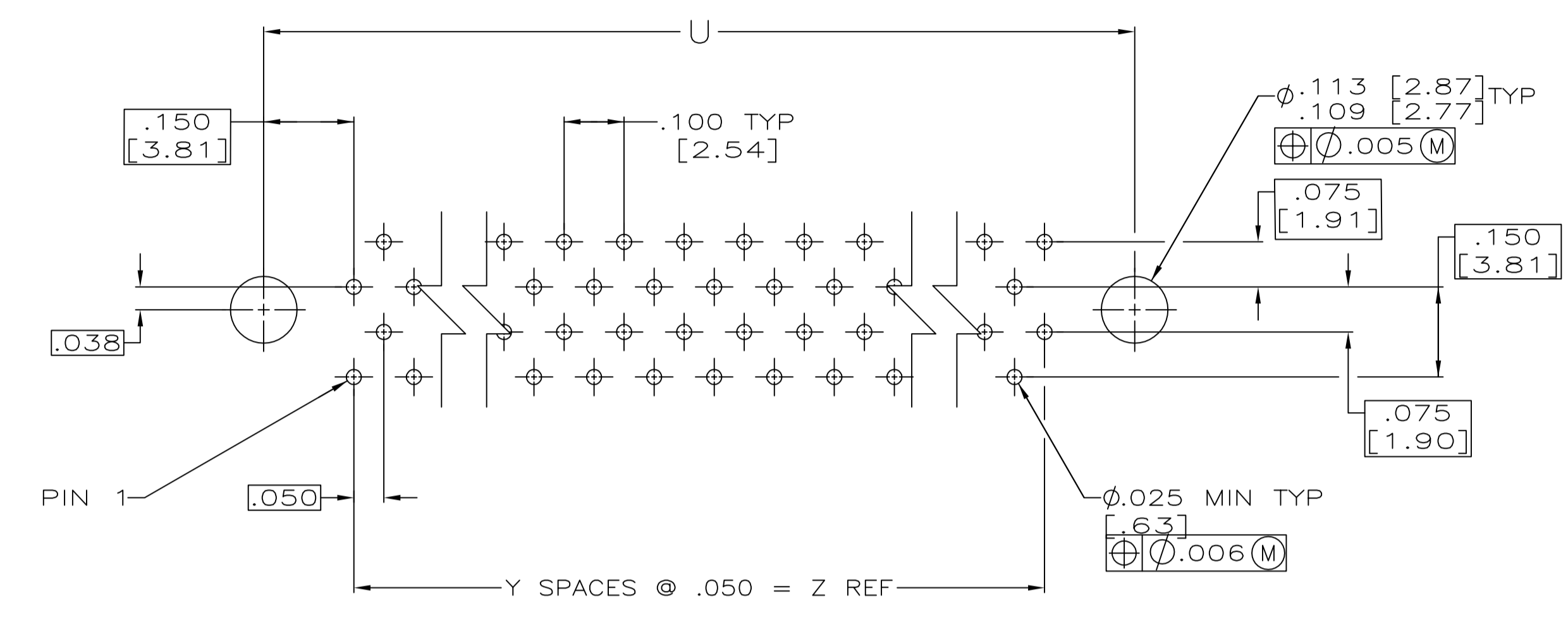
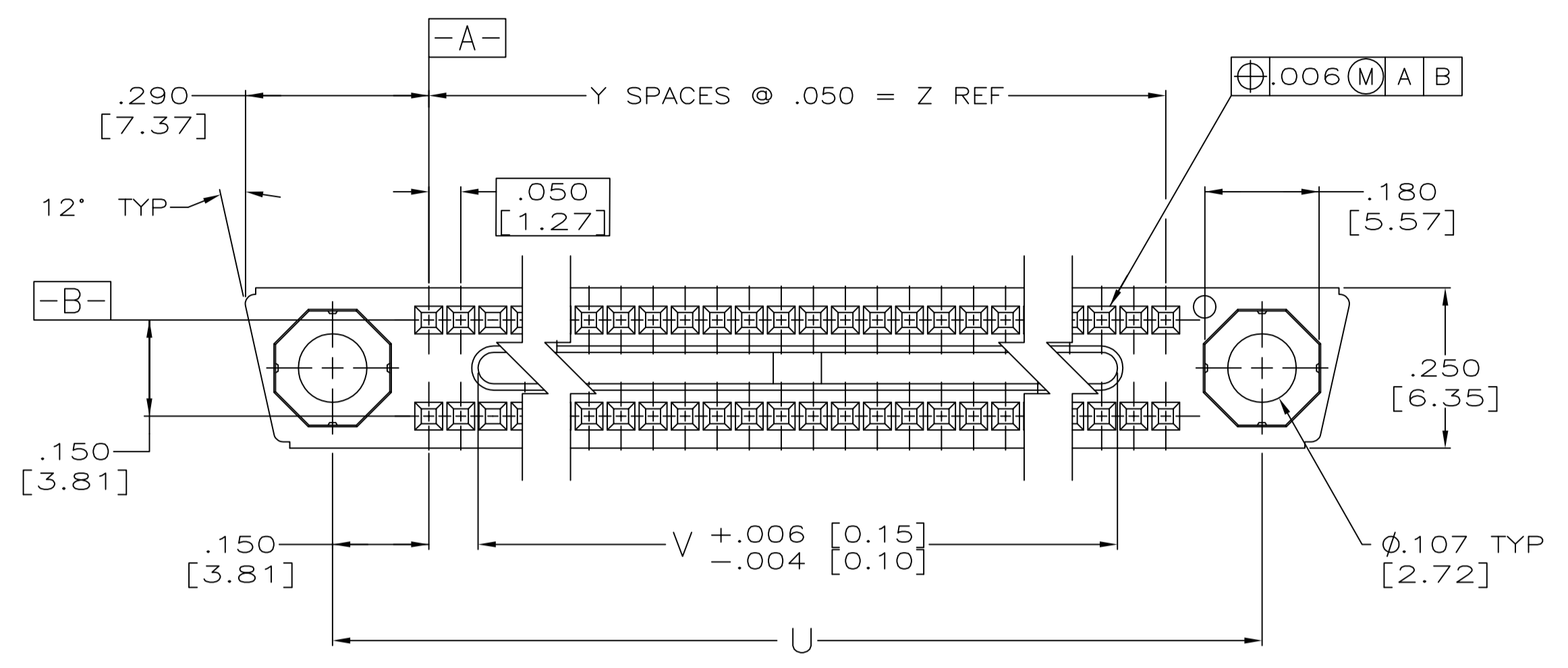


REVISIONS				
P	LTR	DESCRIPTION	DATE	OWN APVD
H		REVISED PER ECO-16-017894	27APR2017	PHM CT



- 1 AMP, PART NUMBER & DATE CODE MARKED IN THIS APPROXIMATE AREA.
- 2 NUMBERS INDICATING END POSITIONS MARKED THIS SIDE ONLY.
- 3. MEETS ALL APPLICABLE REQUIREMENTS OF MIL-C-55302.
- 4 .000050 GOLD IN CONTACT AREA, TIN-LEAD ON TAILS.
- 5 HOUSING MATERIAL: LIQUID CRYSTAL POLYMER PER MIL-M-24519, GLCP-30F; COLOR: GRAY.
- 6 THIS FEATURE IS NOT ON 20 THRU 50 POSITION.
- 7. DIMENSIONS IN BRACKETS ARE IN MILLIMETERS. METRIC EQUIVALENTS ARE BASED UPON 1.00 INCH = 25.4 mm.
- 8 EPOXY SEALANT IS ADDED TO BOTTOM OF HOUSING.

HOUSING MATERIAL	CONTACT IDENT NUMBERS	Z	Y	W	V	U	NUMBER OF CONTACTS	PART NUMBER
A	1 - 10	.450 [11.43]	9	1.040 [26.42]	.300 [7.62]	.750 [19.05]	20	1-534175-1
	1 - 15	.700 [17.78]	14	1.290 [32.77]	.550 [13.97]	1.000 [25.40]	30	1-534175-0
	1 - 20	.950 [24.13]	19	1.540 [39.12]	.800 [20.32]	1.250 [31.75]	40	534175-9
	1 - 25	1.200 [30.48]	24	1.790 [45.47]	1.050 [26.67]	1.500 [38.10]	50	534175-8
	1 - 30	1.450 [36.83]	29	2.040 [51.82]	1.300 [33.02]	1.750 [44.45]	60	534175-7
	1 - 35	1.700 [43.18]	34	2.290 [58.17]	1.550 [39.37]	2.000 [50.80]	70	534175-6
	1 - 40	1.950 [49.53]	39	2.540 [64.52]	1.800 [45.72]	2.250 [57.15]	80	534175-5
	1 - 45	2.200 [55.88]	44	2.790 [70.87]	2.050 [52.07]	2.500 [63.50]	90	534175-4
	1 - 50	2.450 [62.23]	49	3.040 [77.22]	2.300 [58.42]	2.750 [69.85]	100	534175-3
	1 - 55	2.700 [68.58]	54	3.290 [83.57]	2.550 [64.77]	3.000 [76.20]	110	534175-2
	1 - 64	3.150 [80.01]	63	3.740 [95.00]	3.000 [76.20]	3.450 [87.63]	128	534175-1

THIS DRAWING IS A CONTROLLED DOCUMENT.

OWN: T. ALEXANDER 11-20-91
 DWN: D. GUTTER 2-6-92
 APVD: D. GUTTER 2-6-92
 NAME: PRODUCT SPEC

APPLICATION SPEC: -
 WEIGHT: -
 MATERIAL: -
 FINISH: -

SCALE: 1:1
 SHEET: 1 OF 1
 REV: H

STE TE Connectivity
 RECEPTACLE ASSEMBLY
 MINI BOX, SEALED

SIZE: A1
 CAGE CODE: 00779
 DRAWING NO: C=534175