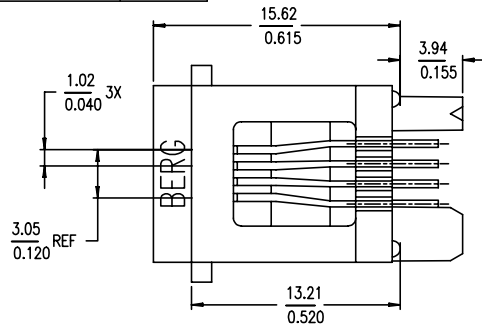
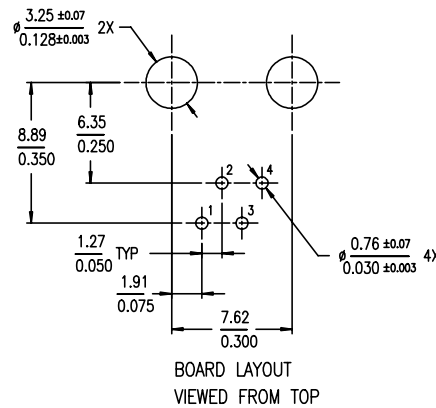
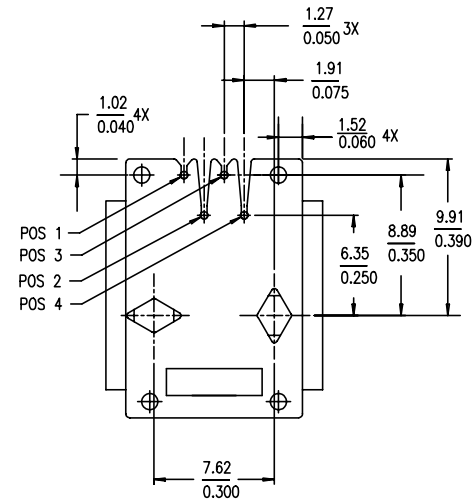
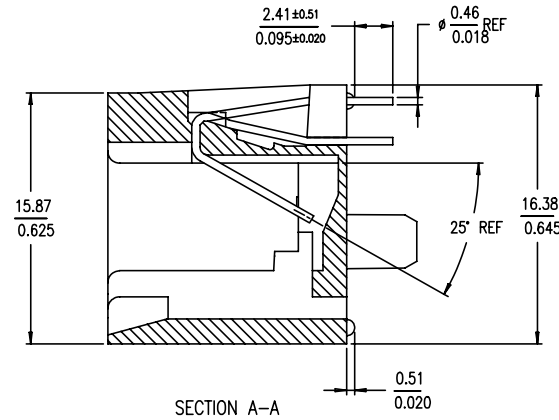
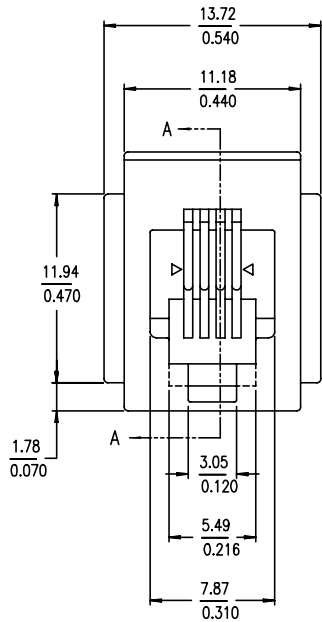


PRODUCT NO.	POS. LOADED	CONTACT PLATING	HSG COLOR	NOTES
90519-001(LF)	ALL	5u" Au + high performance lubricant	BLACK	NOTE 1
90519-002(LF)	ALL			—



NOTES :

- ① SPECIAL PACKAGING.
- 2 GXT IS 0.76um / 30u" MIN GXT WITH Au FLASH OVER  
1,27um / 50u" MIN Ni.
- 3 THE PART NUMBER WITH "LF" SUFFIX IS LEAD FREE P/N.
- 4 IF LF P/N, PACKAGING MEETS GS-14-920 SPECIFICATION.
- 5 FOR LEAD FREE P/N THE PRODUCT MEET EUROPEAN UNION DIRECTIVES AND OTHER COUNTRY REGULATION AS DESCRIBED IN GS-22-008.
- 6 FOR LEAD FREE P/N THE HOUSING WILL WITHSTAND EXPOSURE TO 260 DEGREE C FOR 10 SECONDS IN A WAVE SOLDER APPLICATION



mat'l. code	surface	tolerance	projection	product family
	ISO1302 ✓	ISO1101 ISO406	ISO1101	MOD JACK
l trechn nodr	date	tolerances unless otherwise specified	mm	SP/SW 4 POS VERTICAL PCB MOD JACK ASSY
B S20252	ERIC C 08/09/92	0.X±0.3	scale 2.0	dwg no
C T70458	CL 10/21/97	0.XX±0.15		sheet 1 of 1
D N05-0283	DT 10/20/05	0.XXX±0.05		size
E N08-0064	SH MMD 05/05/08			90519
F ELX-N-010978	SH MMD 3/14/12			A4
	dr CATHY LIN 10/21/97			type Product Customer Drawing
	engr TONY CHIEN 10/21/97			
	chr TONY CHIEN 10/21/97			
	appd JENN TSAO 10/21/97			
sheet	revision	F		
index	sheet	1		