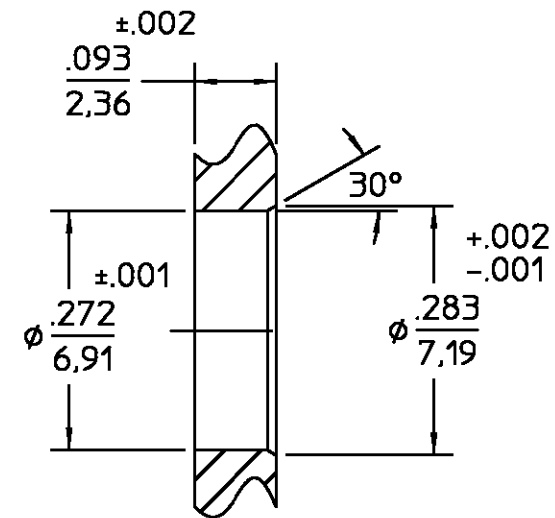


REVISIONS			
REV	DESCRIPTION	DATE	APPROVED
02 ₁	REVISED	3/18/99	PCV



RECOMMENDED MOUNTING DIMENSIONS scale 30:1

COMPONENT	MATERIAL	FINISH
BUSHING WASHER	BRASS PER ASTM-B-16, HALF-HARD	NICKEL PLATE PER QQ-N-290
RETAINING RING	STAINLESS STEEL	PASSIVATE PER QQ-P-35
DIELECTRIC	PTFE FLUOROCARBON PER ASTM-D-1457	N/A
HOUSING CENTER CONTACT RETAINING CLIP	BERYLLIUM COPPER PER ASTM-B-196 OR ASTM-B-197, ALLOY C17300, CONDITION H	GOLD PLATE PER MIL-G-45204
SPRING	MUSIC WIRE	CADIUM PLATE PER QQ-P-416
FERRULE	COPPER OR BRASS ALLOY ROCKWELL F65 MAXIMUM	GOLD PLATE PER MIL-G-45204

ELECTRICAL	MECHANICAL	ENVIRONMENTAL
Nominal Impedance (Ohms) 50 ±1	Force (with Smooth Bore) to Engage (Lbs MAX) 2.0	Temperature Rating -65°C to +125°C
Frequency Range (GHz) DC to 3.0	Disengage (Lbs MIN) 0.5	Vibration MIL-STD-202, Method 204, Condition D
Volt Rating (VRMS MAX) @ Sea Level 335	Center Contact Retention (Lbs MIN) N/A	Shock MIL-STD-202, Method 213, Condition I
VSWR 1.20 MAX @ 3 GHz	Axial Float .040 MIN	Thermal Shock MIL-STD-202, Method 107, Condition B
Insertion Loss (dB MIN) .06√fGHz	Force To Begin Axial Float (Lbs Min) 2.5	Corrosion - MIL-STD-202, Method 101, Condition B
Corona, 70,000 Ft (VRMS MIN) 190	Connector retention on panel to be Min 12 Lbs	DESIGNED FOR USE WITH RG178/U & 196 CABLES CABLE ENTRY DIAMETER MINIMUM
Dielectric Withstanding Voltage (VRMS MIN) @ Sea Level 1000		
Contact Resistance (Milliohms MAX) Center Contact 3.0		
Outer Contact 2.0		
Cable to Housing 0.5		
RF High Potential @ Sea Level (VRMS MIN @ 5 MHz) 670	.XXX = in	HOUSING .036
IR.(Megohms MIN) 5000	XX.X = mm (REF)	CONTACT .012

UNLESS OTHERWISE SPECIFIED DIMENSIONS ARE IN INCHES TOLERANCE ON		DRAWN BY <i>[Signature]</i> DATE 1/28/99		AMP Incorporated	
FRAC	DEC	ANGLES	CHECKED BY	140 Fourth Avenue	
± 1/64	± .005	± °	APPD BY <i>[Signature]</i> 1/29/99	Waltham, MA 02451-7599	
These drawings and specifications are the property of AMP Incorporated and shall not be reproduced or copied or used in whole or in part as the basis for the manufacture or sale of item(s) without written permission.			USE ASSY PROCEDURE		TITLE OSMP FLOATING PANEL MOUNT CABLE JACK CRIMP ATTACHMENT
			408-04743		SIZE B
			29-022		CODE IDENT NO. 26805
			NO. A.P.		2936-5001-63
					REV 02 ₁
			SCALE 15:1		SHEET 1 OF 1