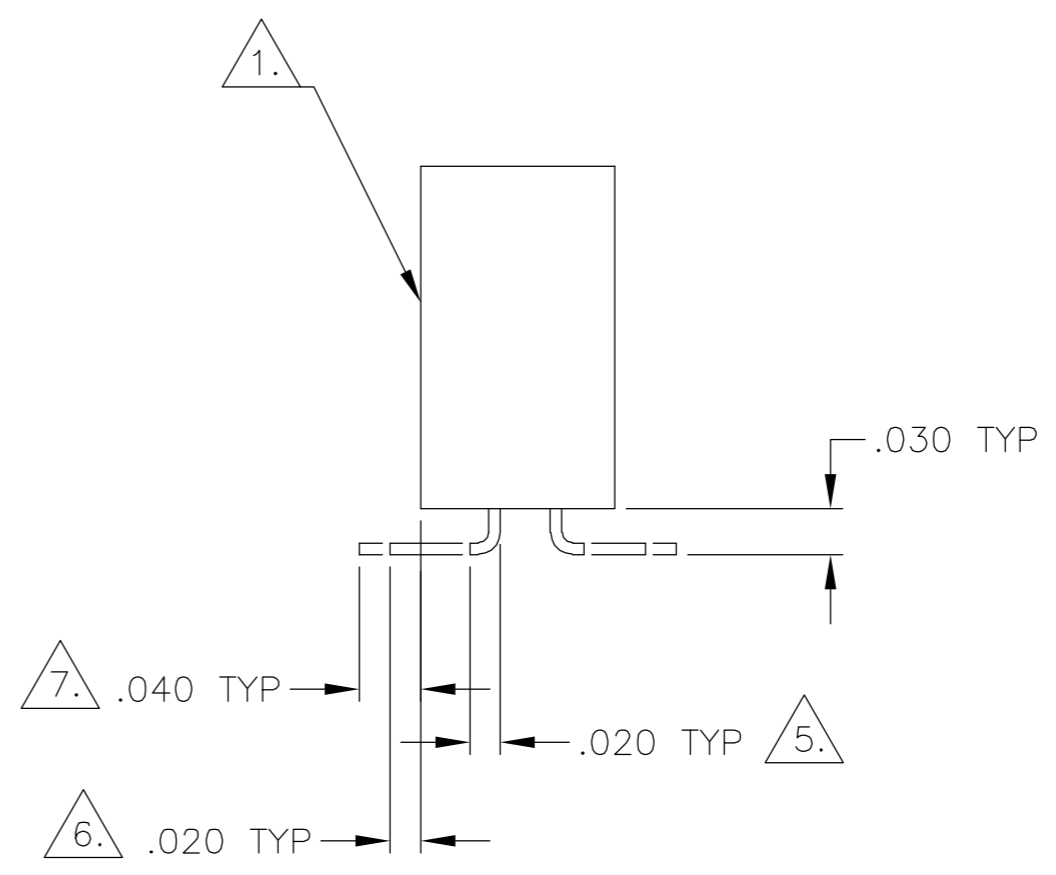
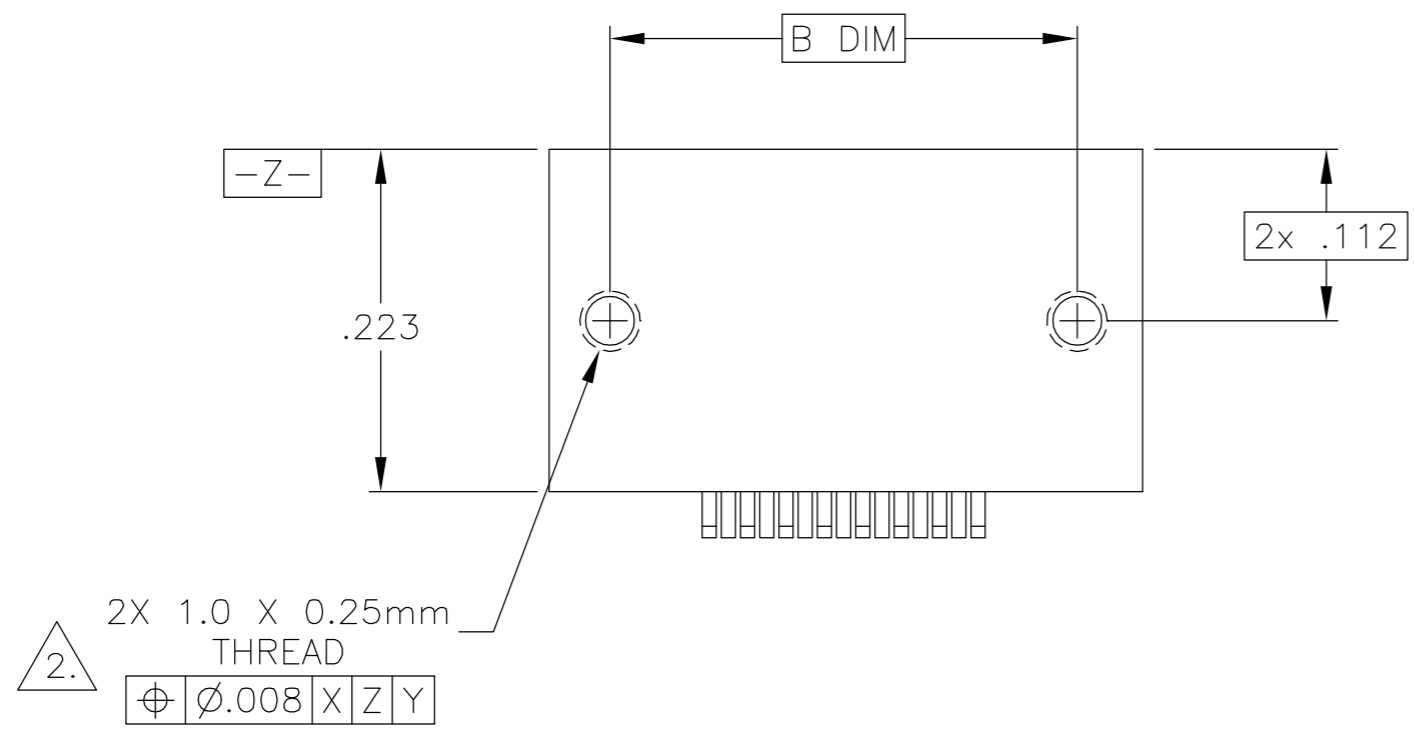
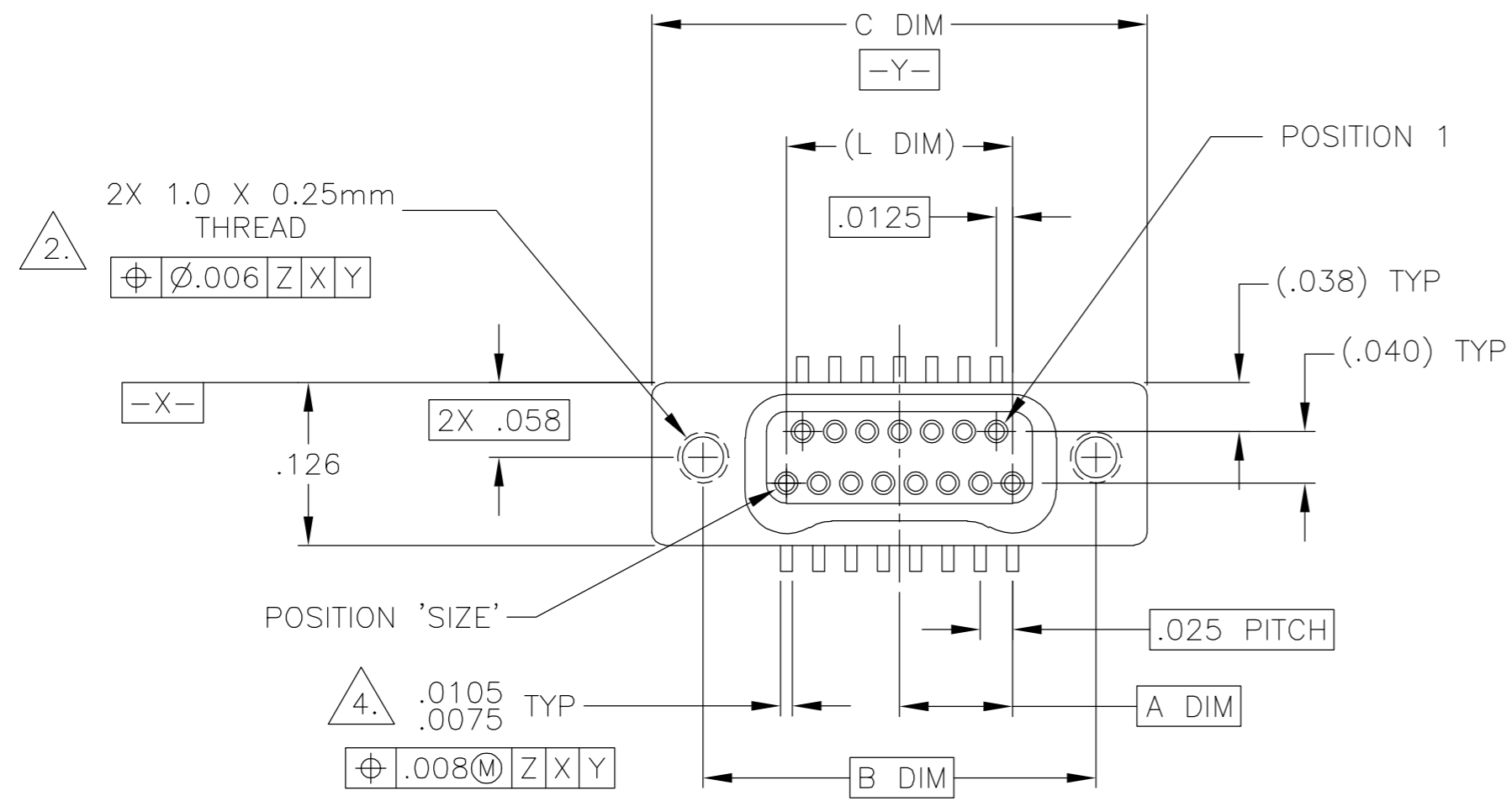


THIS DRAWING IS UNPUBLISHED. RELEASED FOR PUBLICATION
 © COPYRIGHT BY TYCO ELECTRONICS CORPORATION. ALL RIGHTS RESERVED.

| LOC | DIST | REVISIONS | | | | | |
|-----|------|-----------|-----|-------------------------|-----------|-----|------|
| DF | DO | P | LTR | DESCRIPTION | DATE | DWN | APVD |
| | | P | | UPDATE PER 0H2Y-0164-04 | 12 MAY 04 | CAS | MKS |

| SIZE | A DIM | B DIM | C DIM ±.0050 | (L DIM) |
|------|-------|-------|-----------------|---------|
| 09 | .050 | .229 | .3085 | (.100) |
| 15 | .0875 | .304 | .3835 | (.175) |
| 25 | .150 | .429 | .5085 | (.300) |
| 37 | .225 | .579 | .6585 | (.450) |
| 51 | .3125 | .754 | .8335 | (.625) |
| 65 | .400 | .929 | 1.0085 | (.800) |

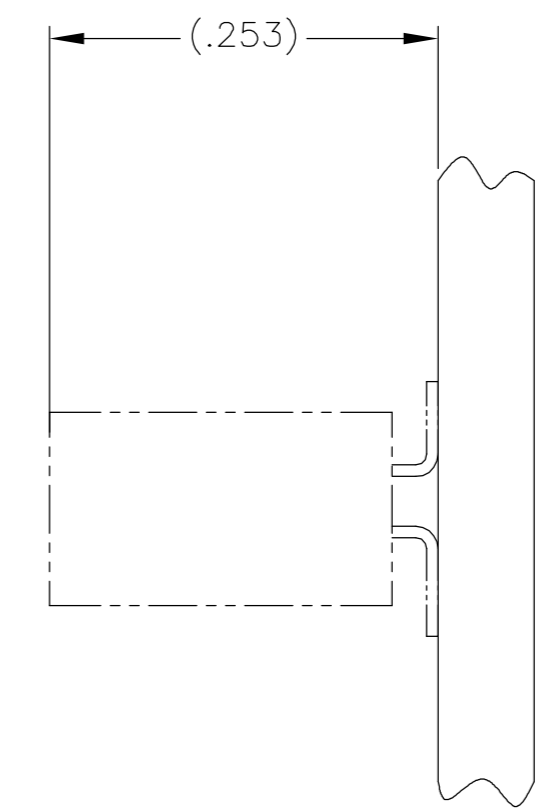
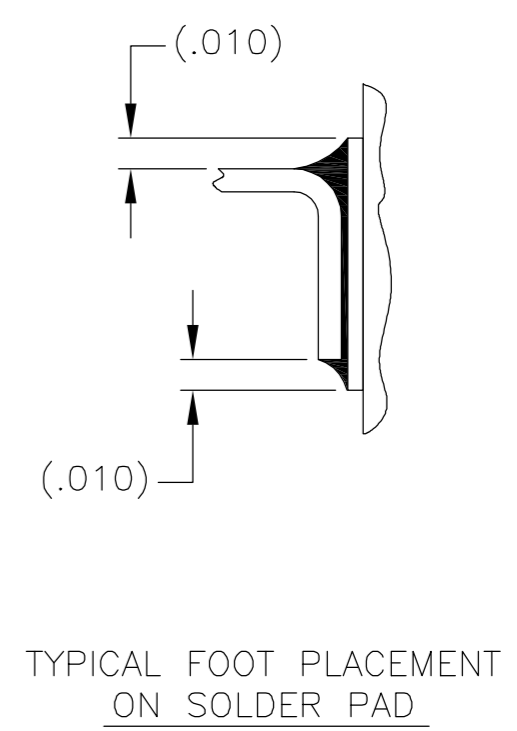
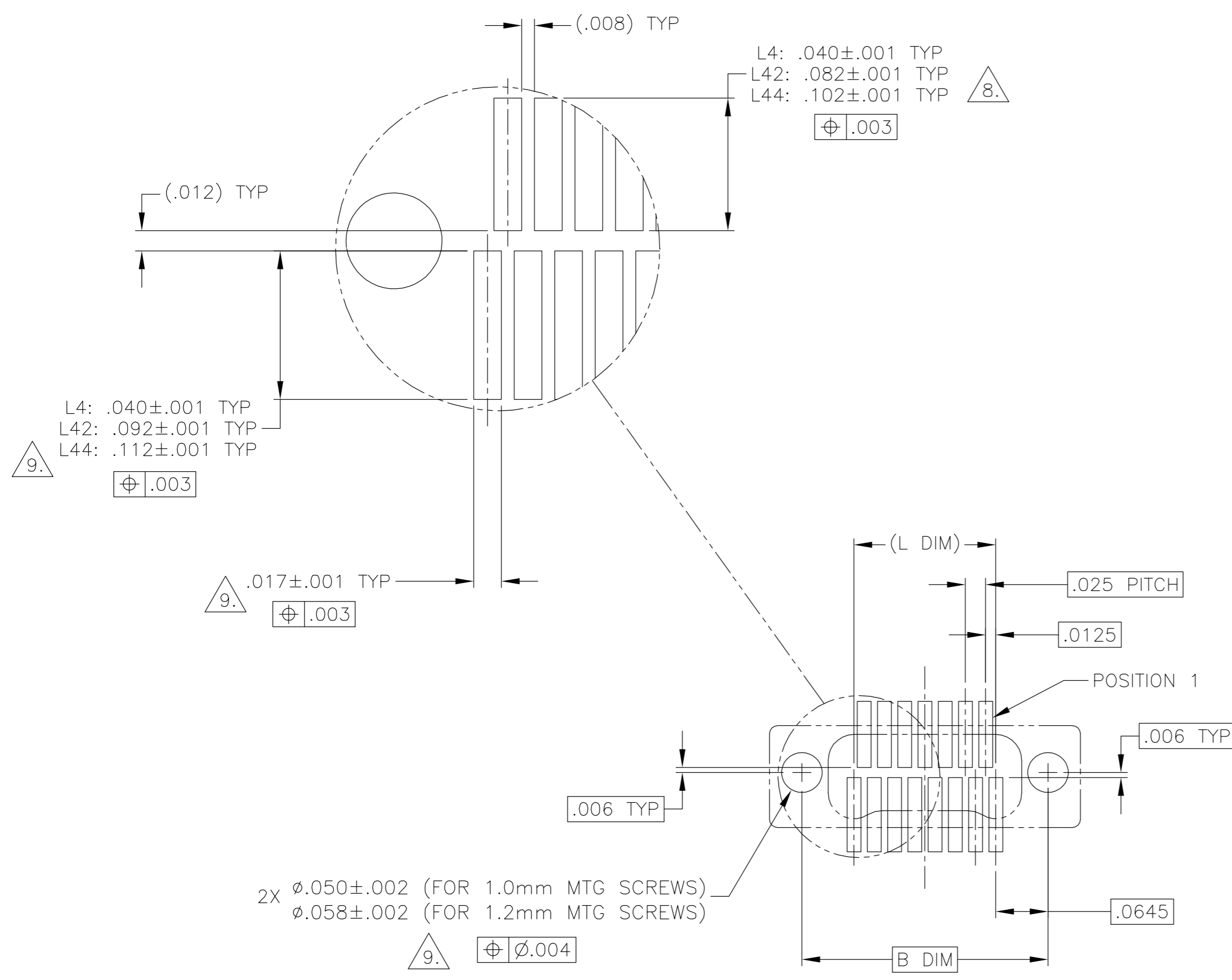


- 1. SHELL OPTIONS (TO BE SPECIFIED IN NANONICS PART NUMBER):
 METAL: 6061-T6 ALUMINUM, ELECTROLESS NICKEL PLATED PER MIL-C-26074 (STANDARD) OR GOLD PLATED PER MIL-G-45204
 303 STAINLESS STEEL, PASSIVATED PER SAE-AMS-QQ-P-35
 INSULATOR MATERIAL FOR ALL METAL SHELLS IS LIQUID CRYSTAL POLYMER (LCP) PER MIL-M-24519 OR PER ASTM D5138
 PLASTIC: LIQUID CRYSTAL POLYMER (LCP) PER MIL-M-24519 OR PER ASTM D5138
- 2. STANDARD 1.0 X 0.25mm MOUNTING AND JACKSCREW THREADS ARE SHOWN FOR REFERENCE ONLY AND MUST BE SPECIFIED IN THE NANONICS PART NUMBER WHEN REQUIRED. 1.2 X 0.25mm THREADS ALSO AVAILABLE.
- 3. MOUNTING HARDWARE IS AVAILABLE WITH THIS CONFIGURATION (NOT SHOWN). HARDWARE MUST BE SPECIFIED IN THE NANONICS PART NUMBER. CONSULT TYCO ELECTRONICS FOR DETAILS.
- 4. SMT LEADS ARE BeCu, TIN LEAD PLATED 60/40 COMPOSITION PER SAE-AMS-P-81728.
- 5. NANONICS TERMINATION CODE: L4 6. NANONICS TERMINATION CODE: L42 7. NANONICS TERMINATION CODE: L44
- 8. THIS DRAWING PREVIOUSLY IDENTIFIED AS NANONICS N10138/232

| | | | |
|---|--|-------------------------------|---|
| THIS DRAWING IS A CONTROLLED DOCUMENT. | | DWN D. RYAN 21 APR 92 | Tyco Electronics Corporation Harrisburg, PA 17105 |
| DIMENSIONS: INCHES | | CHK E. PAULUS 23 AUG 99 | |
| TOLERANCES UNLESS OTHERWISE SPECIFIED: | | APVD M. STORRY 3 APR 01 | NAME RECEPTACLE ASSEMBLY, VERTICAL SURFACE MOUNT, TWO ROW DUALLOBE, PLASTIC OR METAL |
| 0 PLC ± - 1 PLC ± - 2 PLC ± .010 3 PLC ± .005 4 PLC ± - ANGLES ± 1 | | PRODUCT SPEC - | SIZE A2 |
| MATERIAL SEE NOTES | | FINISH SEE NOTES | CAGE CODE 00779 |
| | | WEIGHT - | DRAWING NO C=1589484 |
| | | CUSTOMER DRAWING | RESTRICTED TO - |
| | | SCALE 8:1 | SHEET 1 OF 2 |
| | | | REV P |

THIS DRAWING IS UNPUBLISHED. RELEASED FOR PUBLICATION
 © COPYRIGHT BY TYCO ELECTRONICS CORPORATION. ALL RIGHTS RESERVED.

| LOC | DIST | REVISIONS | | | | | |
|-----|------|-----------|-----|-------------------------|-----------|-----|------|
| DF | DO | P | LTR | DESCRIPTION | DATE | DWN | APVD |
| | | P | | UPDATE PER 0H2Y-0164-04 | 12 MAY 04 | CAS | MKS |



SIZE 15 SHOWN FOR REFERENCE
 TYPICAL PCB LAYOUT

9. POSITIONAL TOLERANCES FOR BASIC DIMENSIONED FEATURES ARE RELATIVE TO FIDUCIALS OR SOME SIMILAR DATUM REFERENCE DEFINED BY THE PCB DESIGNER.

| | | | | |
|--|--|-------------------------------|---|--------------------|
| THIS DRAWING IS A CONTROLLED DOCUMENT. | | DWN D. RYAN 21 APR 92 | Tyco Electronics Corporation Harrisburg, PA 17105 | |
| DIMENSIONS: INCHES | | CHK E. PAULUS 23 AUG 99 | | |
| TOLERANCES UNLESS OTHERWISE SPECIFIED: | | APVD M. STORRY 3 APR 01 | NAME RECEPTACLE ASSEMBLY, VERTICAL SURFACE MOUNT, TWO ROW DUALLOBE, PLASTIC OR METAL | |
| 0 PLC ± - | | PRODUCT SPEC | SIZE A2 | CAGE CODE 00779 |
| 1 PLC ± - | | APPLICATION SPEC | DRAWING NO C=1589484 | RESTRICTED TO - |
| 2 PLC ± - | | | SCALE 8:1 | SHEET 2 OF 2 |
| 3 PLC ± - | | | REV P | |
| 4 PLC ± - | | | | |
| ANGLES ± - | | | | |
| FINISH | | WEIGHT - | | |
| MATERIAL - | | CUSTOMER DRAWING | | |

1589484