

CM5441Z161B-10

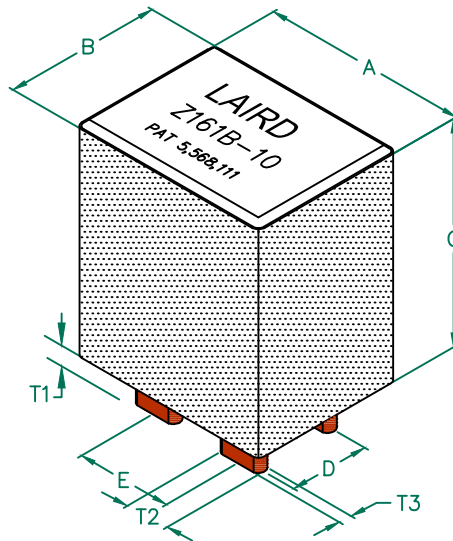
UNCONTROLLED DOCUMENT

PHYSICAL DIMENSIONS:

A	13.72	[.540]	+ 0.20	[.008]
B	10.41	[.410]	+ 0.15	[.006]
C	15.24	[.600]	+ 0.25	[.010]
D	5.28	[.208]	+ 0.13	[.005]
E	6.35	[.250]	+ 0.30	[.012]

WIRE DIMENSIONS:

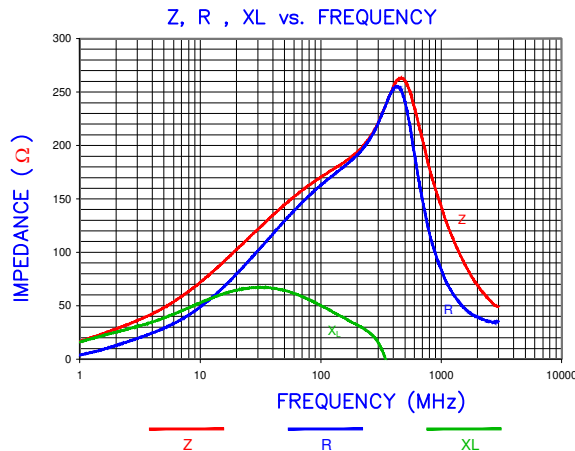
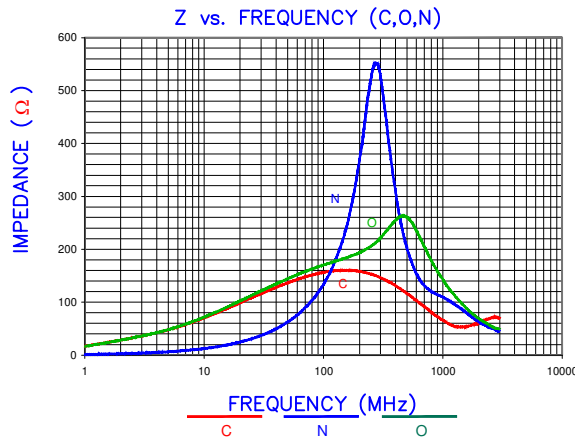
T1	3.05	[.120.]	+ 0.33	[.013]
T2	3.07	[.121]	+ 0.05	[.002]
T3	0.97	[.038]	+ 0.05	[.002]



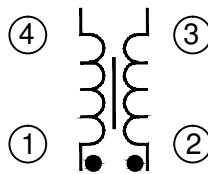
ELECTRICAL CHARACTERISTICS:		
Z @ 100MHz (Ω)	DCR (Ω)	Rated Current
Nominal	160	
Minimum	120	
Maximum	—	*75,000 mA

NOTES: UNLESS OTHERWISE SPECIFIED

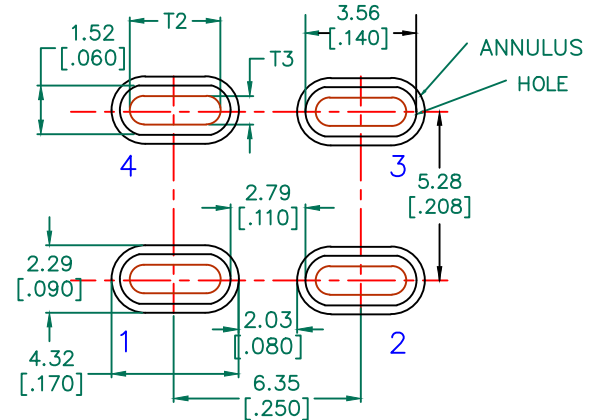
1. BULK PACKED, 858 PCS/BOX.
- 2.* MAXIMUM CURRENT IS:
30,000 mA @ 25° C RISE. 75,000 mA @ 30° C RISE.
3. COMPONENTS SHOULD BE ADEQUATELY PRE-HEATED BEFORE SOLDERING.
4. TERMINATION FINISH IS 100% TIN.



EQUIVALENT CIRCUIT



HOLE PATTERN FOR WAVE SOLDERING



DIMENSIONS ARE mm IN [INCHES]				This print is the property of Laird Tech. and is loaned in confidence subject to return upon request and with the understanding that no copies shall be made without the written consent of Laird Tech. All rights to design or invention are reserved.		Laird	
H	UPDATE COMPANY LOGO	05/27/15	QIU	PROJECT/PART NUMBER:	REV	H	DRAWN BY:
G	CHANGE E TOLERANCE FROM 0.10	11/02/12	QIU	CM5441Z161B-10			JRK
F	CHANGE QUANTITY FROM 825	12/15/11	QIU	DATE:	05/24/04	SCALE:	NTS
E	UPDATE KAPTON LABEL	11/18/08	JRK	GAD #	CM5441Z161B-10-H-1	TOOL #	H0540-1
D	CORRECT TOLS ON E DIMENSION	5/19/08	JRK	DATE:	05/24/04	SCALE:	NTS
C	ADD EQUIVALENT CIRCUIT W/PIN NUMBERS UPDATE COMPANY LOGO	05/01/08	JRK	DATE:	05/24/04	SCALE:	NTS
B	UPDATE LOGO ADD ROHS SYMBOL	1/07/08	JRK	DATE:	05/24/04	SCALE:	NTS
A	ORIGINAL DRAFT	05/24/04	JRK	DATE:	05/24/04	SCALE:	NTS
REV	DESCRIPTION	DATE	INT	DATE:	05/24/04	SCALE:	NTS