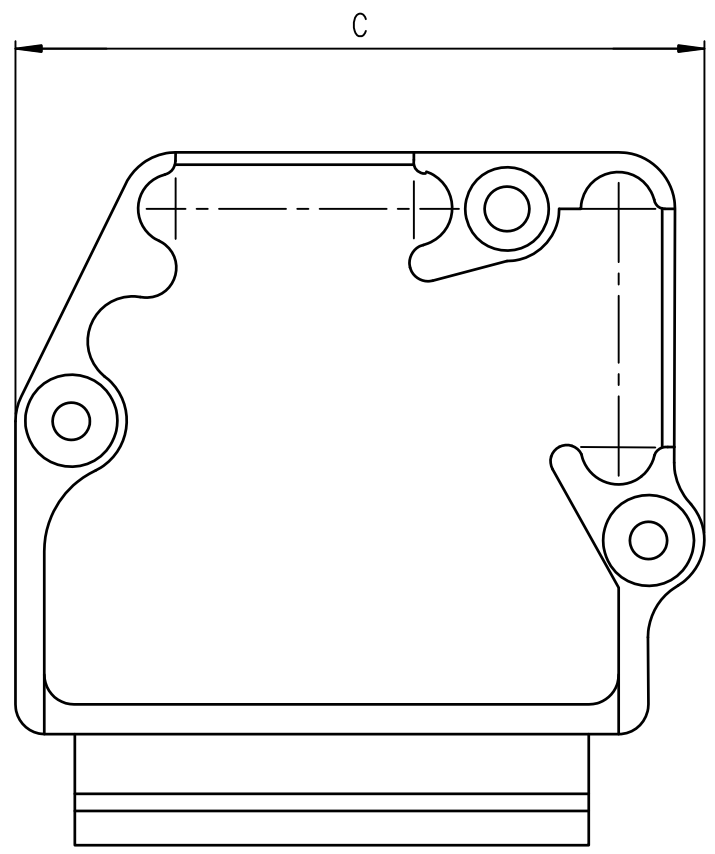
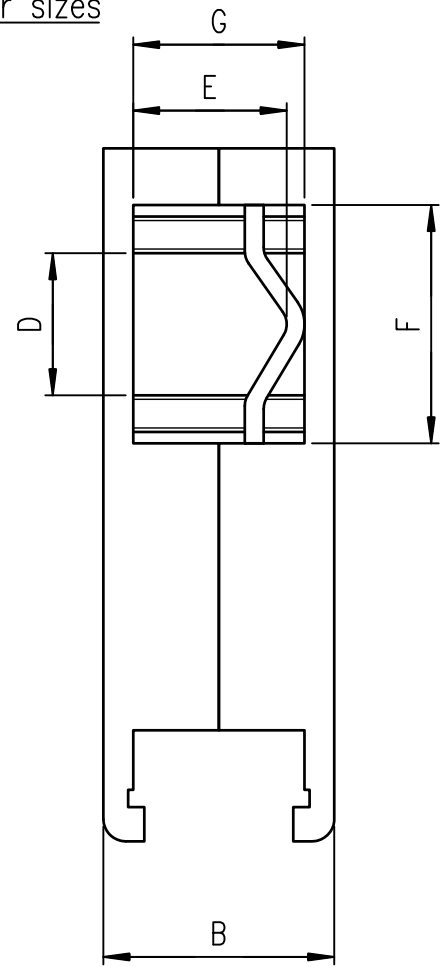
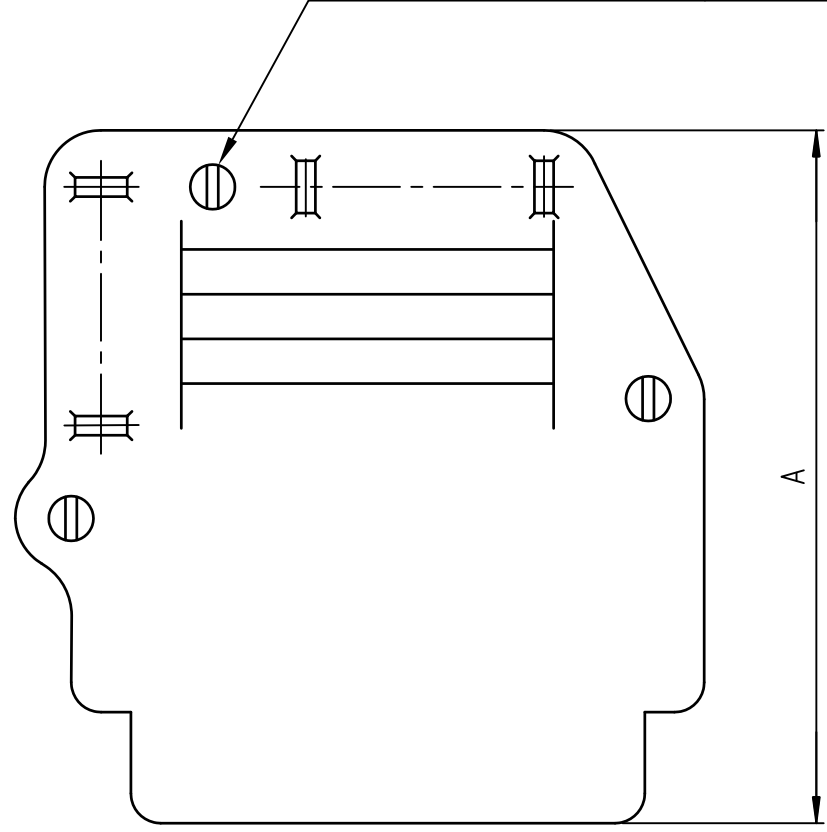


2 Screws for sizes 9&15, 3 for other sizes



**MATERIAL:**  
thermoplastic

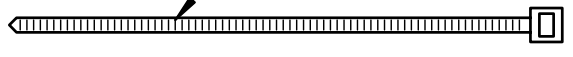
**TEMPERATURE RANGE:**  
- Climatic category -55°/ +95°

**PACKAGING:**  
Box of 50 individual sets



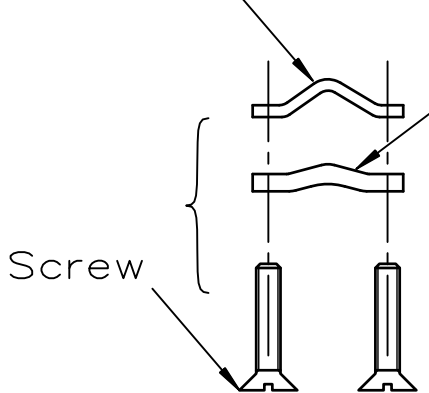
FCIconnect.com

Tie-Wrap



CLAMP FOR SIZES 25, 37 & 50

CLAMP FOR SIZES 9 & 15



Bill of material		
components	Hood kit	Kit for 2 exit use
1/2 Hood	2	0
Screw	2	2
Tapping Screw	3	0
Tie Wrap	1	1
Clamp	1	1

Shell size	Number of contacts	A±0.3	B±0.3	C±0.3	With clamp		Without clamp		PART NUMBER		
					D±0.2	E		F±0.5	G±0.5	Black hood	Kit for 2 exit use *
						mini	maxi				
E	09	29.80	15.50	24.25	6.00	0.25	10.30	8.00	11.70	863093C09ALF	863093CEALF
A	15	29.80	15.50	32.50	6.00	0.25	10.30	8.00	11.70	863093C15ALF	
B	25	46.80	15.50	46.00	13.90	2.30	10.30	16.20	11.70	863093C25ALF	863093CBCLF
C	37	46.80	15.50	60.50	13.90	2.30	10.30	16.20	11.70	863093C37ALF	
D	50	48.80	18.00	56.50	15.60	3.90	12.60	18.00	14.00	863093C50ALF	863093CDLF

Dimensions are in millimeters \* additional accessories to be ordered separately

**NOTE: RoHS INFORMATIONS**

- The "LF" product meets European union Directives and other country regulations as described in GS-47-0004.
- The product is not intended to be exposed to a manufacturing solder process.
- Packaging spec: see GS-14-920.

mat'l. code				surface ISO 1302		tolerance ISO 406 ISO 1101		projection		product family	
-				-		-		MM		D-SUB	
ltr				ecn no		dr		date		title	
H				ELX-I-15087		MP		2013/06/27		UNIVERSAL PLASTIC HOOD	
J				ELX-I-15253		MP		2013/07/16		-	
-				-		-		-		-	
D				LS07-0321		MPE		2007/12/19		dr	
E				I09-0117		AMR		2009/06/26		engr	
F				I09-0161		AMR		2009/08/13		chr	
G				I11-0091		AMR		2011-05-14		appd	
sheet index				revision sheet		J		1		sheet 1 of 1	
-				-		-		-		size 5	
-				-		-		-		A3	
-				-		-		-		type CUSTOMER Drawing	

Copyright FCI