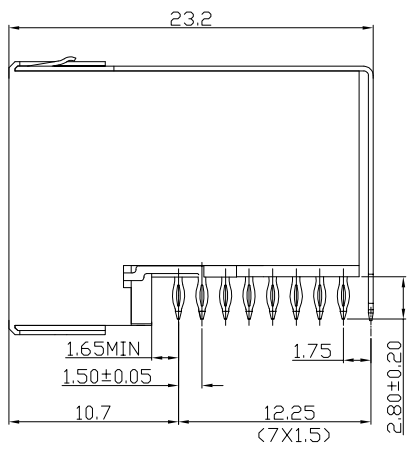
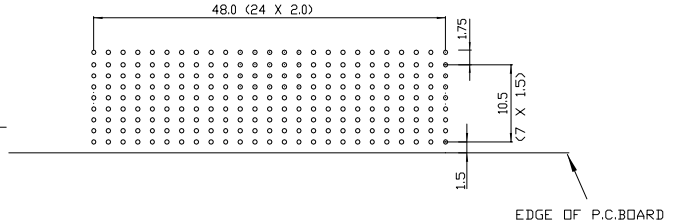
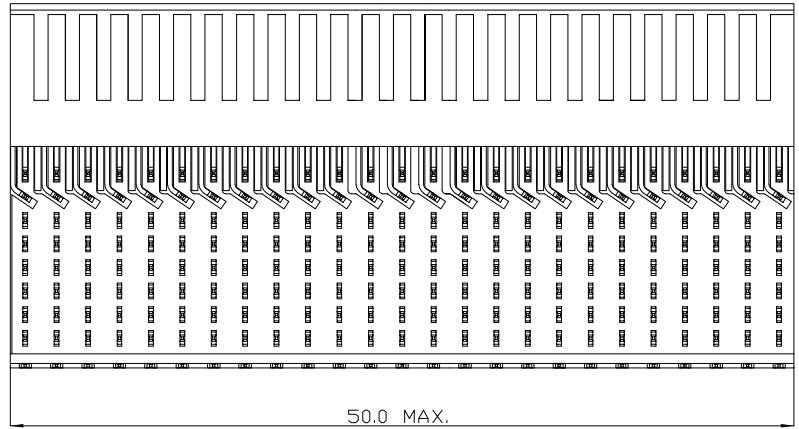
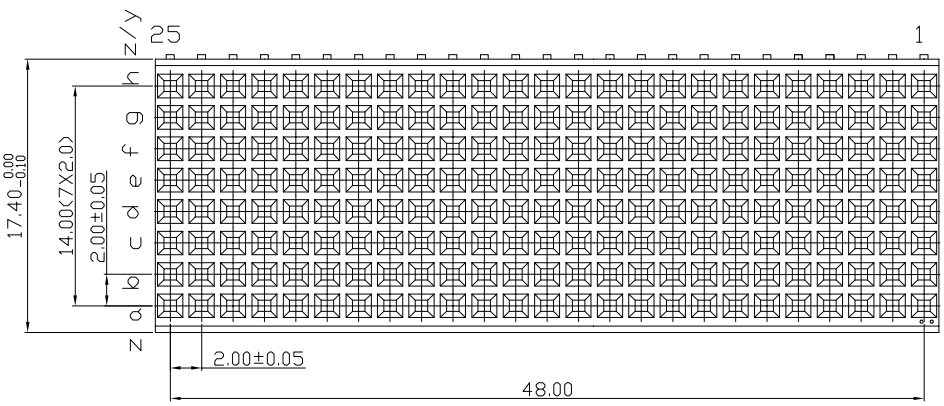


Tous droits strictement reserves. Reproduction ou communication a des tiers interdite sous quelque forme que ce soit sans autorisation écrite du propriétaire. Propriétaire de c FCI. Droits de reproduction FCI.



All rights strictly reserved. Reproduction or issue to third parties in any form whatever is not permitted without written authority from the proprietor. Property of FCI. Copyright FCI.



PERFORMANCE CHARACTERISTICS

- CURRENT RATING: 1.5A AT 20°C (FULLY LOADED)
- CURRENT RATING: 1 A AT 70°C (FULLY LOADED)
- RATED VOLTAGE: 500 V AC (CONT /CONT)
- OPERATING TEMPERATURE: -55°C TO 125°C
- CONTACT RESISTANCE: 20 MΩ MAX
- INSERTION FORCE: 0.75N MAX/CONT
- EXTRACTION FORCE: 0.15N MIN/CONT
- INSULATION RESISTANCE: 10⁴ MΩ MIN

- NOTES 1. LEAD FREE INDICATOR (LF=LEAD FREE)
- PERFORMANCE LEVEL INDICATOR (REF DWG NO.BSC 201844.003)
- THIS PRODUCT IS CSA APPROVED. THIS PRODUCT IS UL RECOGNIZED.
 - FOR RECOMMENDED PTH DIMENSIONS REFER DRAWING : BSA.201572.001
 - THIS PRODUCT (LF) MEETS EUROPEAN UNION DIRECTIVES AND OTHER COUNTRY REGULATIONS AS DESCRIBED IN GS-22-008

rev	ecn no	dr	date
A	CONVERSION REVISION 01	KN	14-09-01
B	DG05-0381	Kasor	10-10-05

www.fciconnect.com		tolerance 1DEC ±0.2 1DEC 2DEC ±0.1 2DEC ANGLES ±1° HOEKEN	projection 	← MM →
Dr	M.Fret	04-01-00	Product family	MILLIPICS
Eng			Spec ref	
Chr			Material	
Appr				ECN
title MPACS 8+2R RA RCP CONN TYPE E/UPPER SHIELDED			size A4	Scale 3/1
catalog no	HM2R88PA810F----		dwg no BS,C ,202260,021	Rev. B
			CUSTOMER	sheet 1 of 1