

NOTES:

- MATERIALS AND FINISHES:
 - BODY - BRASS, NICKEL PLATING (100 MIN THICK)
 - INSULATORS - PTFE
 - CONTACT - BRASS, GOLD PLATING (30 MIN THICK)
 - CENTER CONTACT - BeCu, GOLD PLATING (50 MIN THICK)
 - HEX NUT - BRASS, NICKEL PLATING (100 MIN THICK)
 - LOCKWASHER - PHOSPHOR BRONZE, NICKEL PLATING (100 MIN THICK)
 - CLAMP - BRASS, SILVER PLATING (200 MIN THICK)
 - CLAMP NUTS - BRASS, SILVER PLATING (200 MIN THICK)
 - REAR CLAMP NUT - BRASS, NICKEL PLATING (100 MIN THICK)
 - BUSHING - BRASS, SILVER PLATING (200 MIN THICK)
 - GASKETS - SILICONE RUBBER

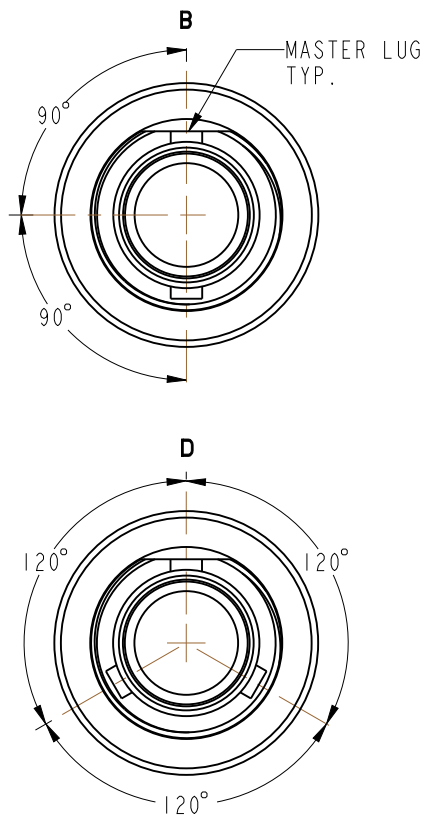
- ELECTRICAL:
 - IMPEDANCE: NON-CONSTANT (CAN BE USED WITH 50, 75 AND 93 OHM TRIAXIAL CABLES)
 - FREQUENCY RANGE: 0 - 500 MHZ
 - VOLTAGE: 5000 V PEAK

- MECHANICAL:
 - TEMPERATURE RANGE: -65° C TO 165° C

- PACKAGING:
 - QUANTITY: SINGLE PACK
 - MARKING: BAG TO BE MARKED
"AMPHENOL, PART NO. [SEE TABLE], AND DATE CODE"

5. SHOWS CABLE ENTRY DIMENSIONS

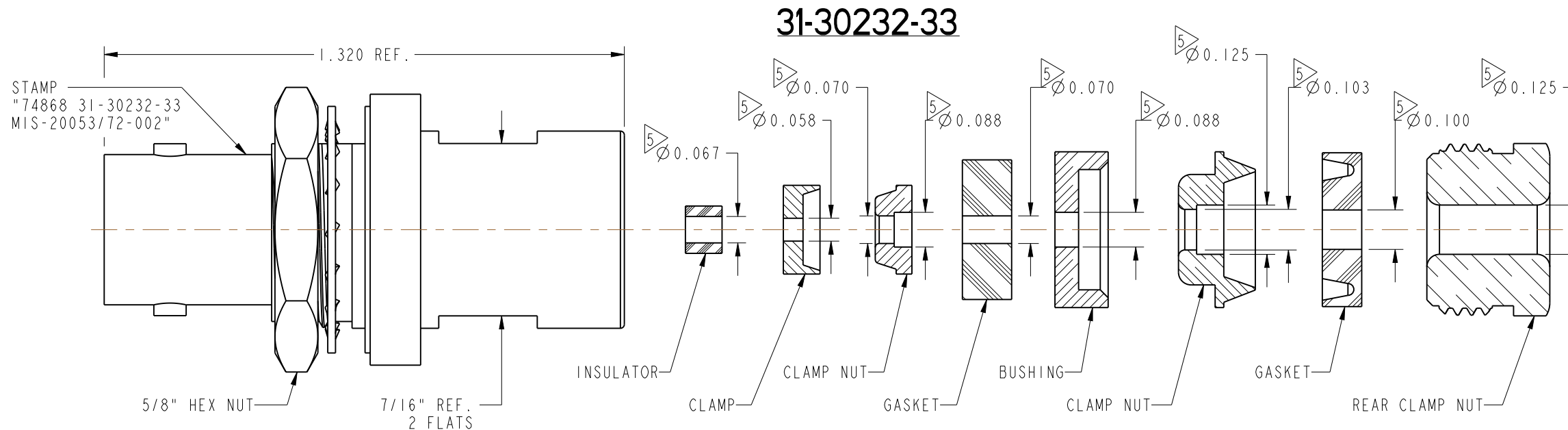
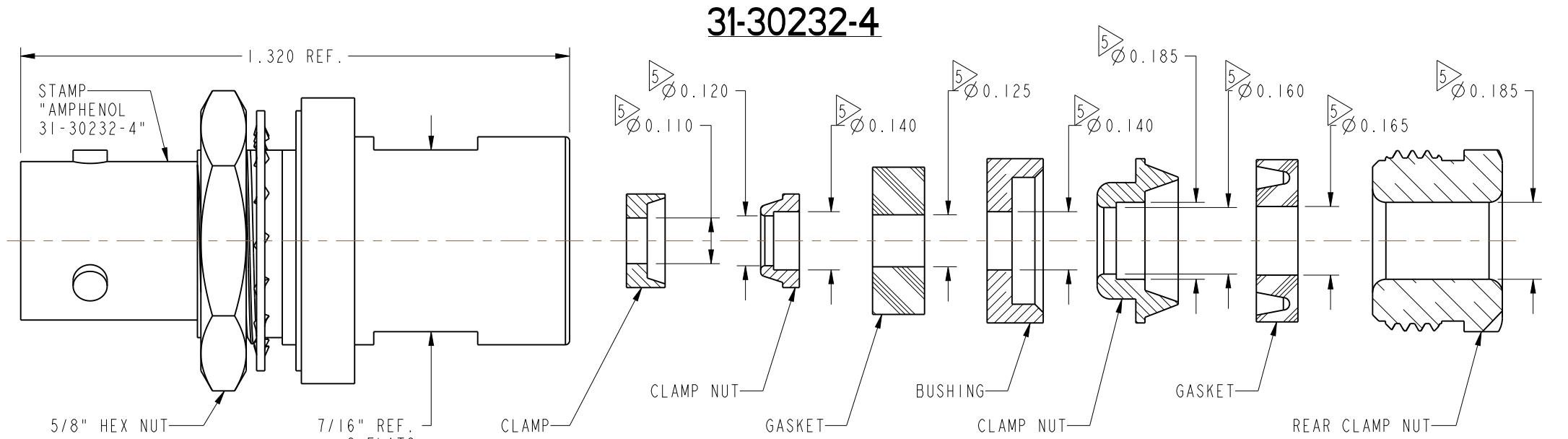
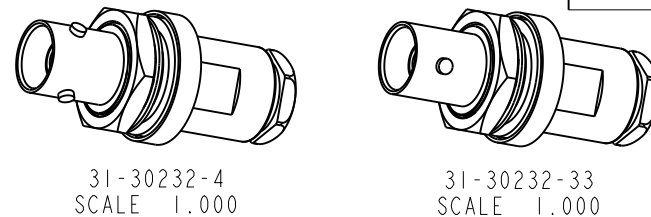
POLARITY



THIRD ANGLE PROJ.

REVISIONS

| REV | DESCRIPTION | DATE | ECO | APPR |
|-----|---|-----------|-------|------|
| W | RE-DRAWN IN PRO-E & ADDED COD | 9/20/13 | 49679 | |
| X | CORRECTED FREQUENCY RANGE: 500MHZ WAS 50MHZ | 11-May-18 | 8104 | NB |



| ITEM NO. | PART NO. | ASSEMBLED LENGTH | POLARITY | CABLE |
|-------------|-------------|------------------|----------|--------------------|
| 31-30232-4 | 31-30232-4 | 1.437 REF. | D | MICRO DOT 295-3954 |
| 31-30232-33 | 31-30232-33 | 1.437 REF. | B | RAYCHEM 5026E5312 |

CUSTOMER OUTLINE DRAWING

ALL OTHER SHEETS ARE FOR INTERNAL USE ONLY

| | | | | | | | |
|--|------------------------------|----------------|------------|-------------------------------------|-----------------------------|-----------------------------------|------------------------|
| UNLESS OTHERWISE SPECIFIED, DIMENSIONS ARE IN INCHES AND TOLERANCES ARE: 2 PLACE DECIMAL ±.015 (0,381 mm) 3 PLACE DECIMAL ±.005 (0,127 mm) ANGLES ± 1° NOTICE - These drawings, specifications, or other data (1) are, and remain the property of Amphenol corp. (2) must be returned upon request; and (3) are confidential and not to be disclosed to any person other than those to whom they are given by Amphenol Corp. the furnishing of these drawings, specifications, or other data by Amphenol Corp., or to any other person to anyone for any purpose is not to be regarded by implication or otherwise in any manner licensing, granting rights to permitting such holder or any other person to manufacture, use or sell any product, process or design, patented or otherwise, that may in any way be related to or disclosed by said drawings, specifications, or other data. | MATERIAL | DRAWN | DATE | TITLE BNC TRIAX S.H. MT. JACK | | Amphenol RF www.amphenolrf.com | |
| | REFERENCE | R. BIERASINSKI | 12-Aug-13 | | | | C. LOSEY |
| | CONFIGURATION LEVEL: In Work | EAR 5861 | APPROVED | DATE | SCALE: 5.0:1.0 SHEET 3 OF 3 | | DRAWING NO. 31-30232-X |
| | FINISH | | K. CAPOZZI | 11-May-18 | DWG SIZE | REV | ITEM NO. 31-30232-X |
| | | | | B | X | PART NO. 31-30232-X | |