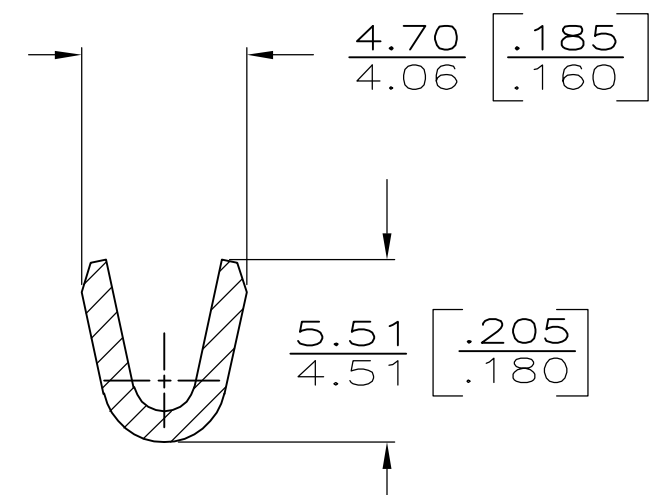
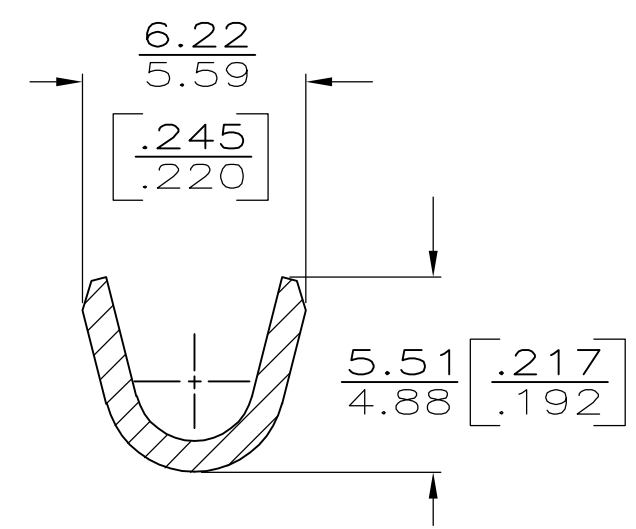
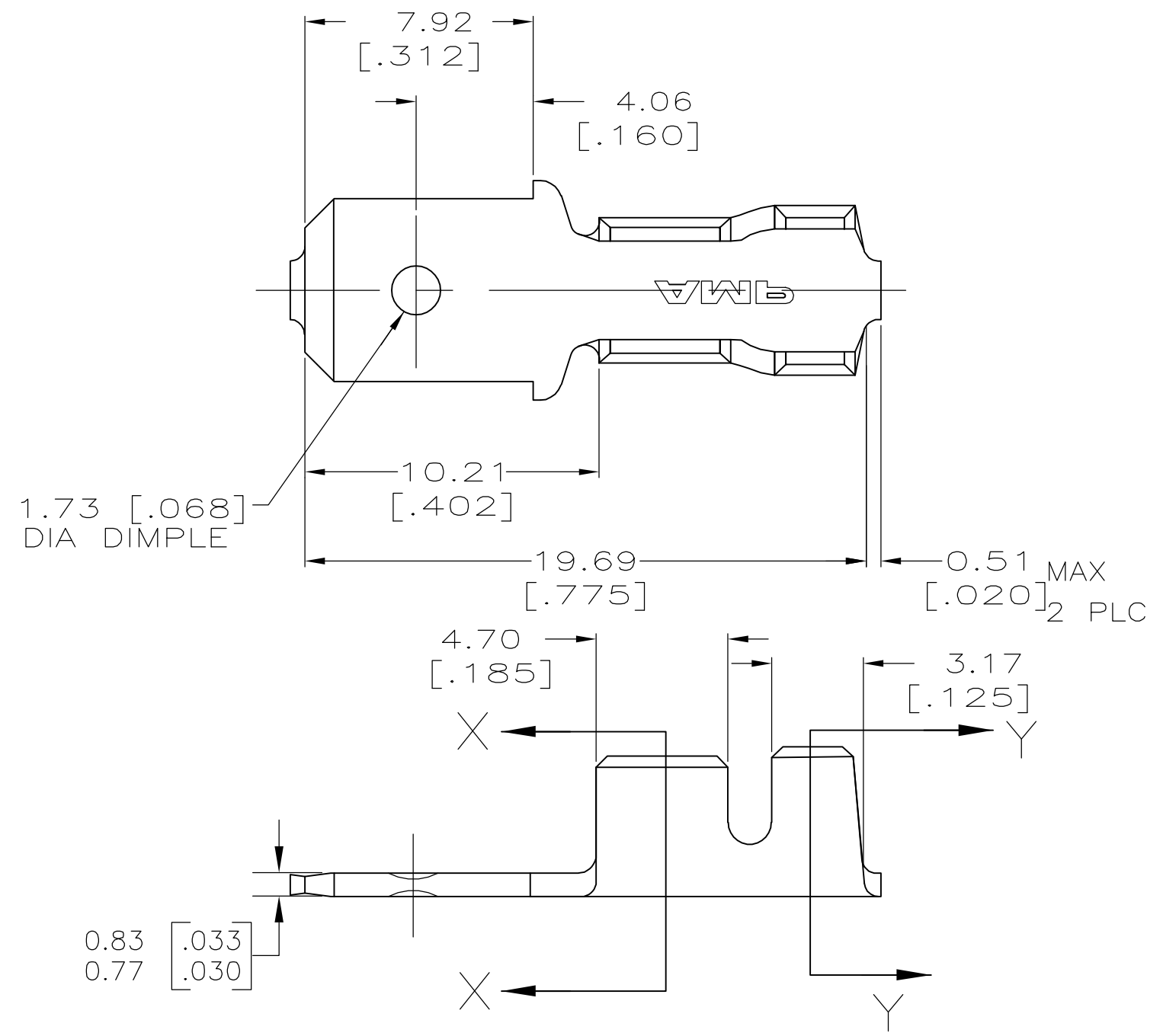


THIS DRAWING IS UNPUBLISHED. RELEASED FOR PUBLICATION
 © COPYRIGHT BY TYCO ELECTRONICS CORPORATION. ALL RIGHTS RESERVED.

LOC	DIST	REVISIONS			
P	LTR	DESCRIPTION	DATE	DWN	APVD
AF	50	A	REV PER ECR 05-010597	20MAR06	JR KR

- 1 LOOSE PIECE OF 41412.
- 2 SUPPLIED IN LOOSE PIECE.



3.05-4.32 DIA [.120-.170] DIA	0.8-2.0mm ² [18-14] AWG	41778
INSUL RANGE	WIRE SIZE	PART NO.

THIS DRAWING IS A CONTROLLED DOCUMENT.		DWN JR RUTH 8/16/95	Tyco Electronics Corporation Harrisburg, PA 17105-3608														
DIMENSIONS: INCHES		CHK MS FEHER 8/16/95				NAME TAB, FASTON, 6.35 [.250] SERIES											
TOLERANCES UNLESS OTHERWISE SPECIFIED:		APVD D REINER 8/16/95	PRODUCT SPEC														
<table border="0"> <tr><td>0 PLC</td><td>± -</td></tr> <tr><td>1 PLC</td><td>± -</td></tr> <tr><td>2 PLC</td><td>± -</td></tr> <tr><td>3 PLC</td><td>± 0.38 [.015]</td></tr> <tr><td>4 PLC</td><td>± -</td></tr> <tr><td>ANGLES</td><td>± -</td></tr> </table>		0 PLC	± -	1 PLC	± -	2 PLC	± -	3 PLC	± 0.38 [.015]	4 PLC	± -	ANGLES	± -	APPLICATION SPEC		RESTRICTED TO	
0 PLC	± -																
1 PLC	± -																
2 PLC	± -																
3 PLC	± 0.38 [.015]																
4 PLC	± -																
ANGLES	± -																
MATERIAL O82 BRASS		FINISH TIN		WEIGHT -													
CUSTOMER DRAWING			SIZE A3	CAGE CODE 00779	DRAWING NO C-41778												
SCALE 5:1			SHEET 1 OF 1		REV A												