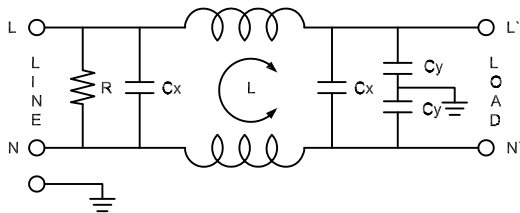
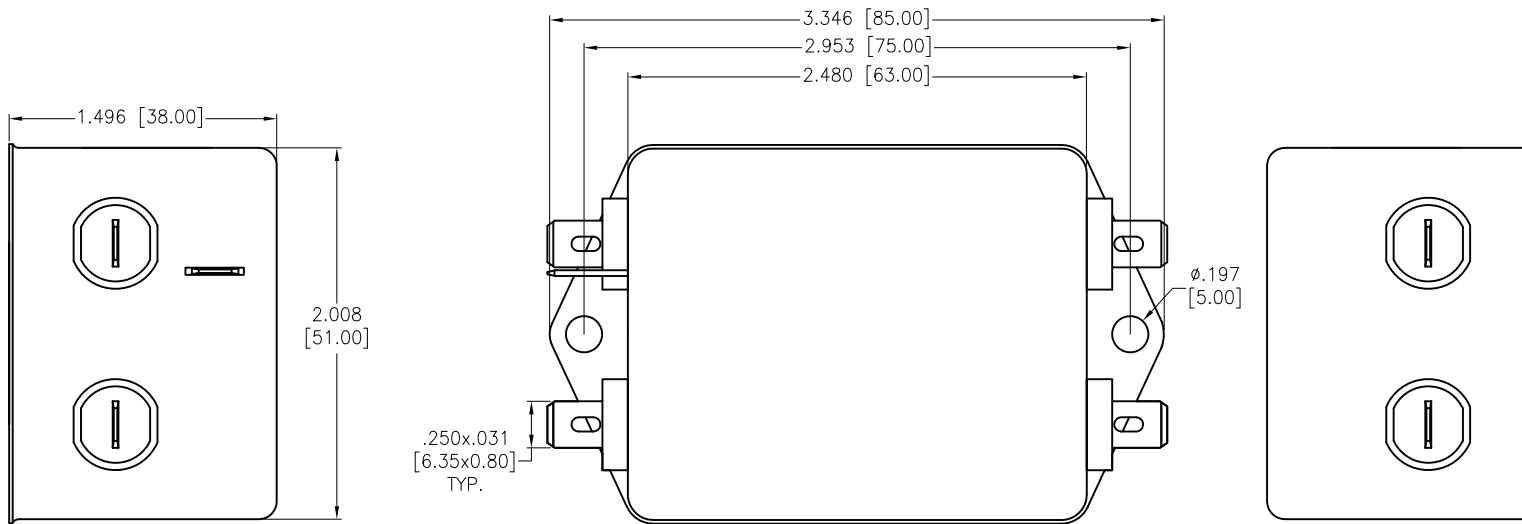


APPROVED: _____
 DATE: _____ TITLE: _____

Rev	AWO #	Description	Date	Appr
-		RELEASED	9/17/21	
A		UPDATE DRAWING	4/11/22	WX/RC
B		ADDED DRAWING	5/27/22	WX/RC



L: 2x0.9mH
 Cx: 0.1uF(X2)
 Cy: 3300pF(Y2)
 R: 2.2M ohm

SPECIFICATIONS:

Electrical:
 Voltage rating: 115/250 VAC
 Current rating: 115/250 VAC: 20 A RMS max
 Leakage Current: Each Line To Ground
 @115VAC/60HZ 0.4mA max
 @250VAC/50HZ 0.8mA max

Hipot Rating(For 1 Minute)

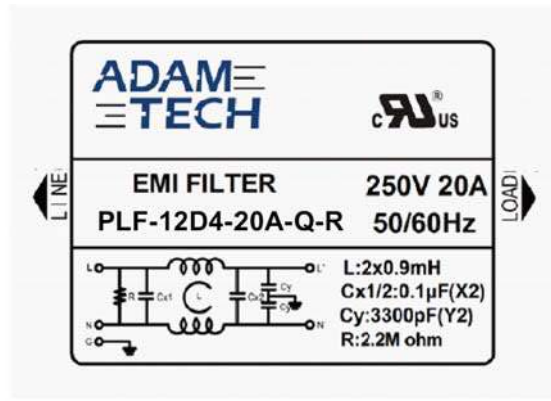
A. Line to Ground: 2,250 VDC
 B. Line to Line: 500 VDC

IR: 50 Mohm @500 VDC Any Input or Output to Ground

Temperature Rating:
 -25°C to +85°C

Environmental:

Lead free, RoHS compliant



UNLESS OTHERWISE SPECIFIED ALL DIMENSIONS ARE INCHES [MM]. TOLERANCES: EXCEPT AS NOTED

INCHES		HOLES	
.X	± .10	ØX	± .10
.XX	± .020	ØXX	± .015
.XXX	± .015	ØXXX	± .010

ADAM TECH 909 Rahway Avenue,
 Union, NJ 07083
 Phone: 908-687-5000
 Fax: 908-687-5710

DRAWN	JJ	9/17/21
CHECKED	RC	9/17/21
APPROVED		

TITLE
EMI/RF POWER LINE FILTER
MEDIUM OUTLINE, CHASSIS MOUNT

THIS DRAWING CONTAINS INFORMATION THAT IS PROPRIETARY AND SHOULD NOT BE USED WITHOUT PRIOR WRITTEN PERMISSION FROM ADAM TECH

SIZE X	PART NO. PLF-12D4-20A-Q-R	REV. B
REF: S00205C	SCALE: NTS	SHEET 1 OF 2

6

5

4

3

2

1

APPROVED: _____

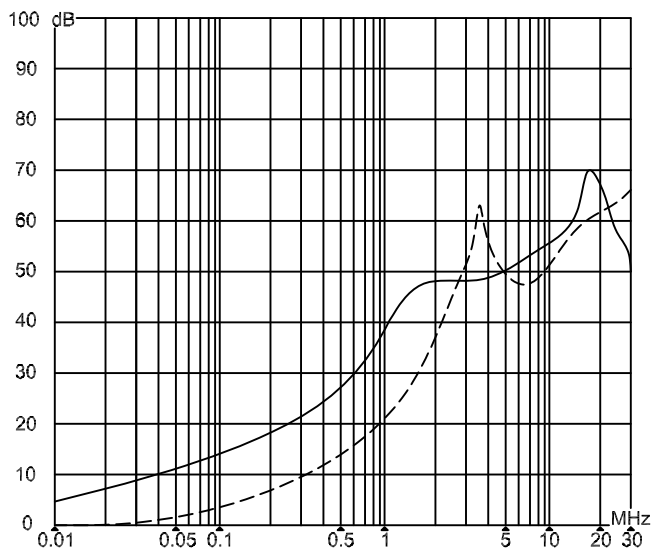
DATE: _____ TITLE: _____

Rev	AWO #	Description	Date	Appr
-----	-------	-------------	------	------

SEE SHT 1 OF 2 FOR REVISION

INSERTION LOSS(IN 50 ohm system according IEC/CISPR

————— (common mode)
 - - - - - (differential mode)



UNLESS OTHERWISE SPECIFIED ALL DIMENSIONS ARE INCHES [MM]. TOLERANCES: EXCEPT AS NOTED

INCHES		HOLES	
.x	± .10	∅x	±.10
.xx	± .020	∅xx	±.015
.xxx	± .015	∅xxx	±.010



909 Rahway Avenue,
Union, NJ 07083
Phone: 908-687-5000
Fax: 908-687-5710

DRAWN	JJ	9/17/21
CHECKED	RC	9/17/21
APPROVED		

TITLE	EMI/RF POWER LINE FILTER MEDIUM OUTLINE, CHASSIS MOUNT
-------	---

THIS DRAWING CONTAINS INFORMATION THAT IS PROPRIETARY AND SHOULD NOT BE USED WITHOUT PRIOR WRITTEN PERMISSION FROM ADAM TECH

SIZE	PART NO.	REV.
X	PLF-12D4-20A-Q-R	B
REF:	S00205C	SCALE: NTS
		SHEET 2 OF 2

6

5

4

3

2

1